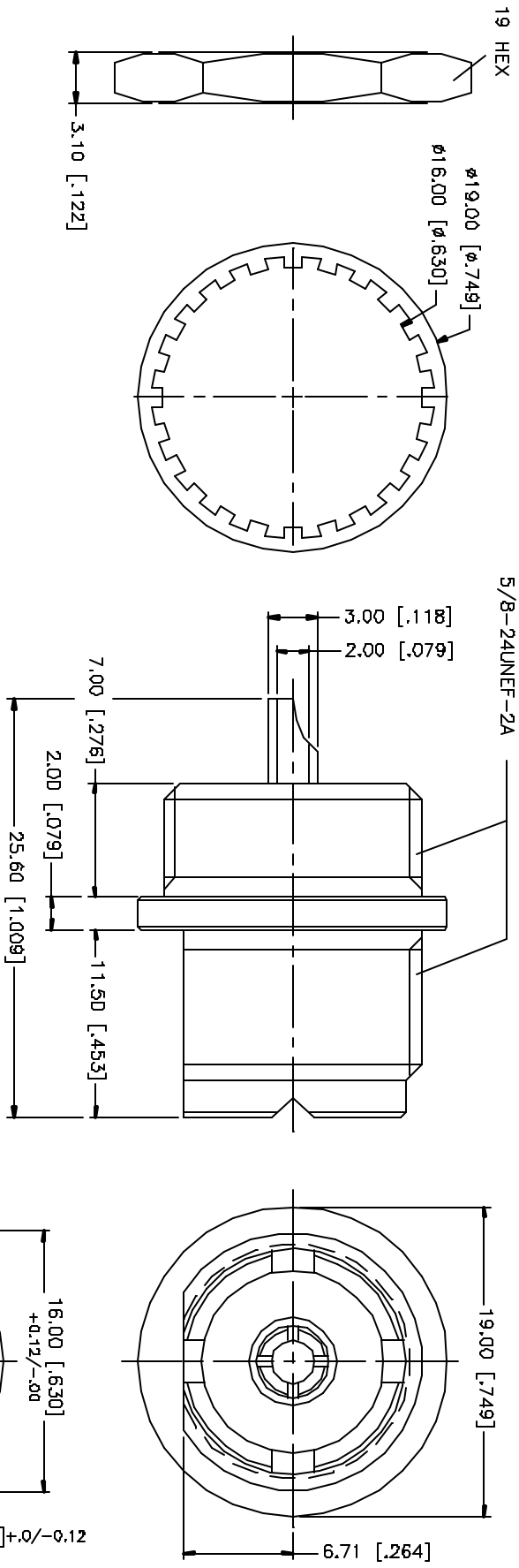
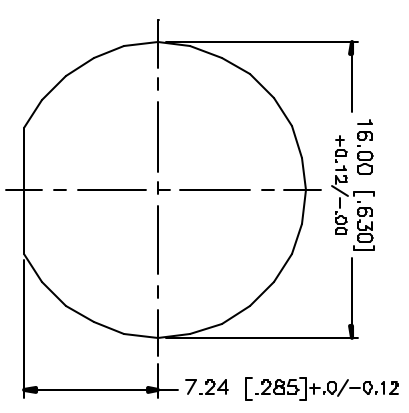


| REV. | DATE | DESCRIPTION |
|------|----------|----------------------------------|
| A | 05/15/05 | UPDATE DRAWING FORMAT / ADD FLAT |



NOTE:
1. PIN TO WITHSTAND 4 INCH-OUNCE RADIAL FORCE.

RECOMMENDED
MOUNTING HOLE



| NO. | DESCRIPTION | MATERIAL | FINISH | QTY |
|-----|-------------|----------|---------|-----|
| 8 | | | | |
| 7 | | | | |
| 6 | | | | |
| 5 | HEX NUT | BRASS | NICKEL | 1 |
| 4 | LOCK WASHER | BRASS | NICKEL | 1 |
| 3 | CONTACT PIN | BRASS | NICKEL | 1 |
| 2 | INSULATOR | TEFLON | NATURAL | 1 |
| 1 | BODY | BRASS | NICKEL | 1 |
| | DESCRIPTION | MATERIAL | FINISH | QTY |

| | | |
|--|-------------------|------------|
| UNLESS OTHERWISE SPECIFIED DIMENSIONS ARE IN MILLIMETERS (DIMENSIONS IN PARENTHESES ARE IN INCHES AND FOR DIMENSIONS REFER TO SHAL). | APPROVALS | DATE |
| UNLESS OTHERWISE SPECIFIED TOLERANCES PER MIL-STD-188 | DRAWN G.R.S. | 05/15/05 |
| 0.5 - 8mm ± 0.20mm | CHECKED | |
| 8 - 30mm ± 0.40mm | INSULATED | |
| 30 - 120mm ± 0.50mm | SHEET 1 OF 1 | |
| UNLESS OTHERWISE SPECIFIED DIMENSIONS ARE RECOMMENDED FOR FINISH AND | SHEET | |
| .020 - .315 = ± 0.0075" | | |
| .315 - 1.180 = ± 0.015" | | |
| 1.180 - 4.724 = ± 0.020" | | |
| DO NOT SCALE DRAWING | SHEET TITLE | |
| | C:/182/182320.DWG | |
| | DWG. NO. | 182320.DWG |
| | REV. | A |
| | SIZE | A |
| | SCALE | NA |

| | |
|---------------------------------------|--------|
| Amphenol Connex | |
| UHF BULKHEAD RECEPTACLE REAR MOUNT | |
| PART NO. | 182320 |

X-ON Electronics

Largest Supplier of Electrical and Electronic Components

Click to view similar products for [RF Connectors / Coaxial Connectors](#) category:

Click to view products by [Amphenol](#) manufacturer:

Other Similar products are found below :

[8915-1511-000](#) [89674-0827](#) [6001-7071-019](#) [6002-7051-003](#) [6002-7551-202](#) [6059674-1](#) [619550-1](#) [630059-000](#) [M39030/3-01N](#) [M3933/25-36N](#) [6500-7071-046](#) [6769](#) [CX050L2AQ](#) [7002-1542-011](#) [7004-1512-000](#) [7009-1511-004](#) [7010-1511-000](#) [7029-1511-060](#) [7101-1541-010](#) [7101-1571-002](#) [7105-1521-002](#) [7145-1521-002](#) [7203-1571-003](#) [7209-1511-011](#) [7210-1511-015](#) [7210-1511-019](#) [73137-5015](#) [73216-2241](#) [7325-1512-000](#) [73404-2300](#) [7405-1521-005](#) [7405-1521-802](#) [7406-1521-005](#) [8527](#) [8547](#) [FS11V](#) [8808-1511-001](#) [9049-9513-000](#) [9074-9513-000](#) [9101-9573-002](#) [910A205F](#) [9130-9573-002](#) [PL11SC-026](#) [PL375-33](#) [PL40-5](#) [PL71-9](#) [PL74C-221](#) [PL75MC-217](#) [PL803-7](#) [980-8666-005](#)