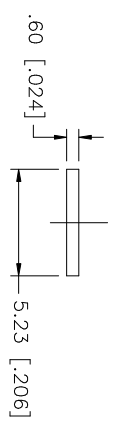
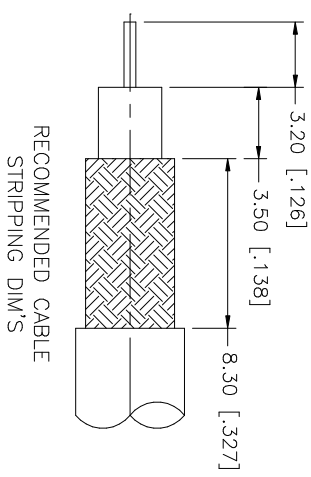
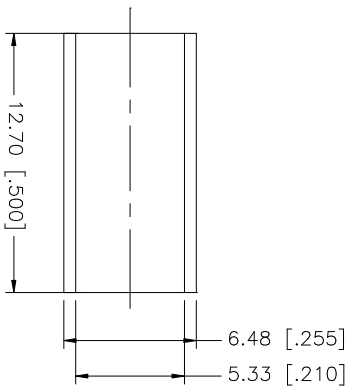
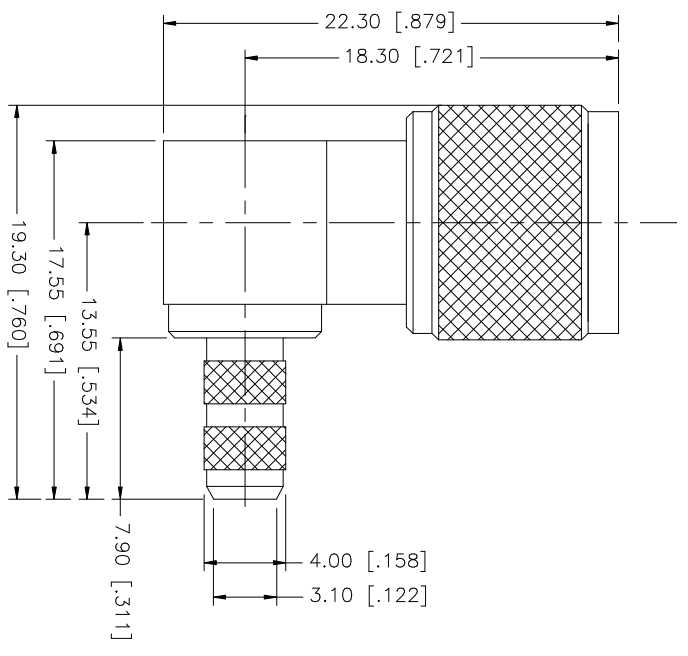


REV.	DATE	DESCRIPTION
A	09/30/03	ADD STRIPPING DIMENSIONS



CRIMP NOTES:  
 1. CRIMPED FERRULE  
 HEX CRIMP SIZE .213"

**Amphenol Connex**

PART DESCRIPTION  
 MINI-UHF CRIMP PLUG  
 (FOR RG-55/U, 223/U, 142/U, 400/U CABLE)

PART NO. 182324

UNLESS OTHERWISE SPECIFIED DIMENSIONS ARE IN INCHES AND FOR CUSTOMER REFERENCE ONLY.	UNLESS OTHERWISE SPECIFIED DIMENSIONS ARE IN MILLIMETERS.	UNLESS OTHERWISE SPECIFIED DIMENSIONS ARE IN MILLIMETERS.	UNLESS OTHERWISE SPECIFIED DIMENSIONS ARE IN MILLIMETERS.	UNLESS OTHERWISE SPECIFIED DIMENSIONS ARE IN MILLIMETERS.	UNLESS OTHERWISE SPECIFIED DIMENSIONS ARE IN MILLIMETERS.	UNLESS OTHERWISE SPECIFIED DIMENSIONS ARE IN MILLIMETERS.	UNLESS OTHERWISE SPECIFIED DIMENSIONS ARE IN MILLIMETERS.	UNLESS OTHERWISE SPECIFIED DIMENSIONS ARE IN MILLIMETERS.	UNLESS OTHERWISE SPECIFIED DIMENSIONS ARE IN MILLIMETERS.
8									
7									
6									
5	COVER	BRASS	NICKEL	1					
4	FERRULE	COPPER	NICKEL	1					
3	CONTACT PIN	BRASS	GOLD	1					
2	INSULATOR	DELTRIN	NATURAL	1					
1	BODY	DIE CAST	NICKEL	1					
DESCRIPTION									
MATERIAL									
FINISH									
QTY									
DO NOT SCALE DRAWING									
APPROVALS		DATE		UNLESS OTHERWISE SPECIFIED DIMENSIONS ARE IN INCHES AND FOR CUSTOMER REFERENCE ONLY.					
DRAWN G.R.S.		09/30/03		TOLERANCES FOR MILLIMETERS ARE: 0.5 - 8mm ± 0.20mm 8 - 30mm ± 0.40mm 30 - 120mm ± 0.50mm					
CHECKED				UNLESS OTHERWISE SPECIFIED DIMENSIONS ARE IN MILLIMETERS. .020 - .315 = ± 0.007" .315 - 1.180 = ± 0.015" 1.180 - 4.724 = ± 0.020"					
ISSUED				CAD FILE C:/182/182324.DWG					
SHEET 1 OF 1				DWG. NO. 182324.DWG					
				REV. A					
				SIZE A					
				SCALE NA					

## X-ON Electronics

Largest Supplier of Electrical and Electronic Components

*Click to view similar products for [RF Connectors / Coaxial Connectors](#) category:*

*Click to view products by [Amphenol](#) manufacturer:*

Other Similar products are found below :

[8915-1511-000](#) [89674-0827](#) [6001-7071-019](#) [6002-7051-003](#) [6002-7551-202](#) [6059674-1](#) [619550-1](#) [630059-000](#) [M39030/3-01N](#) [M3933/25-36N](#) [6500-7071-046](#) [6769](#) [CX050L2AQ](#) [7002-1542-011](#) [7004-1512-000](#) [7009-1511-004](#) [7010-1511-000](#) [7029-1511-060](#) [7101-1541-010](#) [7101-1571-002](#) [7105-1521-002](#) [7145-1521-002](#) [7203-1571-003](#) [7209-1511-011](#) [7210-1511-015](#) [7210-1511-019](#) [73137-5015](#) [73216-2241](#) [7325-1512-000](#) [73404-2300](#) [7405-1521-005](#) [7405-1521-802](#) [7406-1521-005](#) [8527](#) [8547](#) [FS11V](#) [8808-1511-001](#) [9049-9513-000](#) [9074-9513-000](#) [9101-9573-002](#) [910A205F](#) [9130-9573-002](#) [PL11SC-026](#) [PL375-33](#) [PL40-5](#) [PL71-9](#) [PL74C-221](#) [PL75MC-217](#) [PL803-7](#) [980-8666-005](#)