

PRODUCT NUMBER
20020002-XXXXXXLF

20020002 - [] [] [] [] [] [] [] LF

PITCH

G: 5.00 mm
H: 5.08 mm

POLES

02: 2 poles
03: 3 poles
04: 4 poles
|
|
24: 24 poles

LF : DENOTED RoHS COMPATIBLE

1 : STANDARD PRODUCT
W/ BOX PACKING

SCREW CODE

CODE	SCREW TYPE	AVAILABILITY
A	-/+	ON REQUEST ONLY
B	-	STANDARD

ALL FLANGE SCREWS ARE ONLY AVAILABLE IN +/- COMBINATION SCREW TYPES.

PROPERTY TABLE			
FCI SERIES NAME		01-500	01-508
PITCH (mm)		5.00	5.08
VOLTAGE RATING (VAC)		300	300
CURRENT RATING (A)		12	12
APPLICABLE WIRE RANGE (AWG)		1-WIRE	12~24
		2-WIRE	18
WIRE CROSS SECTION (mm ²)	SOLID	1-WIRE	2.5
		2-WIRE	1.0
	STRANDED	1-WIRE	2.5
		2-WIRE	1.5
OPENING CONTACT HOUSING(mm ²)		2.6x3.2	2.6x3.2
WIRE STRIP LENGTH(mm)		7~8	7~8
TORQUE +/-10% (N-m/Lb-in)		0.57/5.0	0.57/5.0
SCREW		M3x0.5	M3x0.5
WITHSTANDING VOLTAGE (kV)		1.6	1.6
OPERATING TEMP. (°C)		-40~+115	-40~+115
POLES AVAILABLE		02~24	02~24
SAFETY CERTIFICATE			

HOUSING CODE

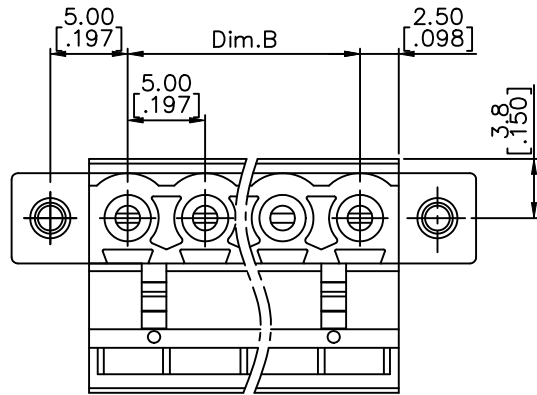
CODE	COLOR	AVAILABILITY
1	GREEN(RAL 6018/T)	STANDARD
2	BLACK	ON REQUEST ONLY
3	GREY(RAL 7004/P)	ON REQUEST ONLY
4	BLUE(RAL 5015/A)	ON REQUEST ONLY

NOTES:

- MATERIALS
1-1 HOUSING: THERMALPLASTIC RESIN, UL 94V-0 RATED.
1-2 SCREW: STEEL, ZINC PLATED.
1-3 CLAMP: COPPER ALLOY, NICKEL PLATED.
1-4 TERMINAL: COPPER ALLOY, TIN PLATED.
- PRODUCT SPECIFICATION REFER TO FCI GS-12-625.
- PRODUCT PACKING SPECIFICATION REFER TO FCI GS-14-1394.
- FCI, SAFETY CERTIFICATE LOGO AND SERIES NAME TO BE SHOWN ON PRODUCT SURFACE.
- THE PRODUCTS WHERE THE PART NUMBER END IN "LF" MEET THE EUROPEAN UNION DIRECTIVE AND OTHER COUNTRY REGULATIONS AS DESCRIBED IN GS-22-008.

mat'l. code				surface ASME Y14.5 ✓		tolerance ASME Y14.5		projection		product family TERMINAL BLOCK			
litr				ecn no		dr		date		title			
A				T10-0082		WL		080510		TERMINAL BLOCK			
B				T10-0158		WL		100410		PLUGGABLE, PLUG, SINGAL, W/FLANGE			
C				T-005908		WL		091311		DOWNSIDE CONTACT			
										scale		sheet 1 of 3 size	
												20020002 A4	
										type		CUSTOMER Drawing	
sheet index		revision sheet		C 1		C 2		C 3					

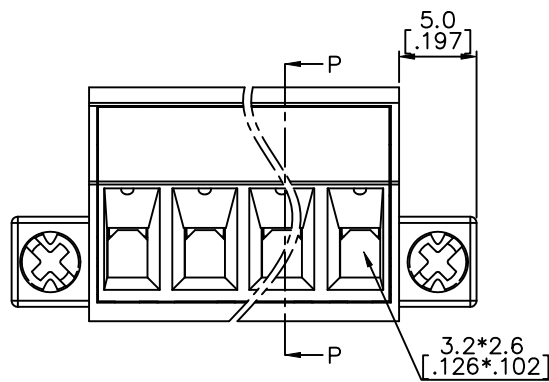
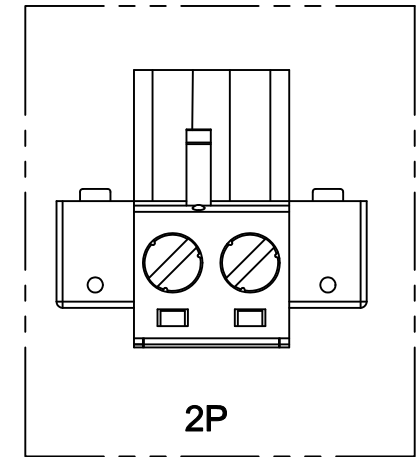
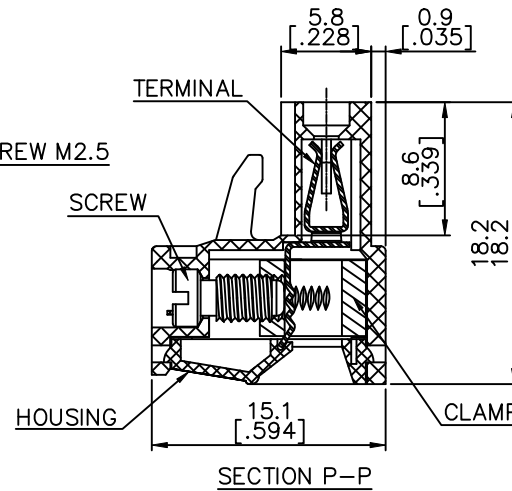
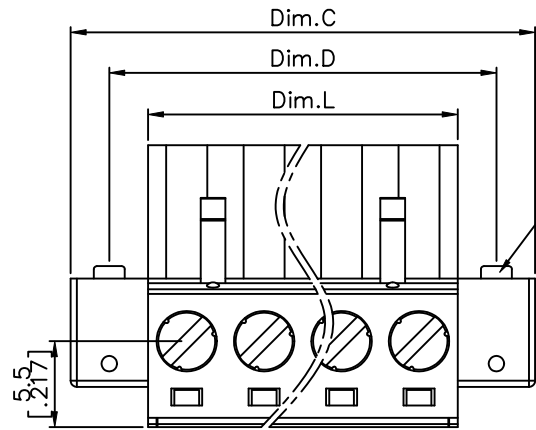
PRODUCT NUMBER	SERIES NAME	PITCH
20020002-GXXXXXLf	01-500	5.00 mm



N= Number of poles

Dim L	N*5.0 [.197]
Dim B	(N-1)*5.0 [.197]
Dim C	(N+2)*5.0 [.197]
Dim D	(N+1)*5.0 [.197]

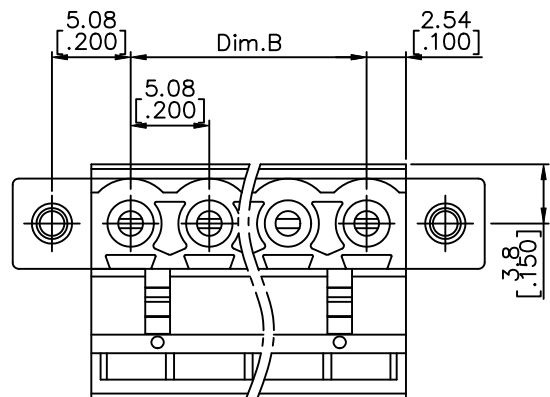
Poles	Tolerance
2P-7P	±0.15 [.006]
8P-12P	±0.25 [.010]
13P-18P	±0.30 [.012]
19P-24P	±0.40 [.016]



mat'l. code	surface ASME Y14.5	tolerance ASME Y14.5	projection MM INCH	product family TERMINAL BLOCK	
ltr	ecn	no	dr	date	title TERMINAL BLOCK PLUGGABLE, PLUG, SINGAL, W/FLANGE DOWNSIDE CONTACT
tolerances unless otherwise specified					scale
angles					
X±1°					
X.X±0.3					
X.XX±0.1					
dr		WENDY CHEN		051410	sheet 2 of 3 size
enr		JASON HSU		051410	20020002
chr		GARY HSIEH		051410	
appd		JOSEPH HSIA		051410	
sheet index	revision sheet				type CUSTOMER Drawing



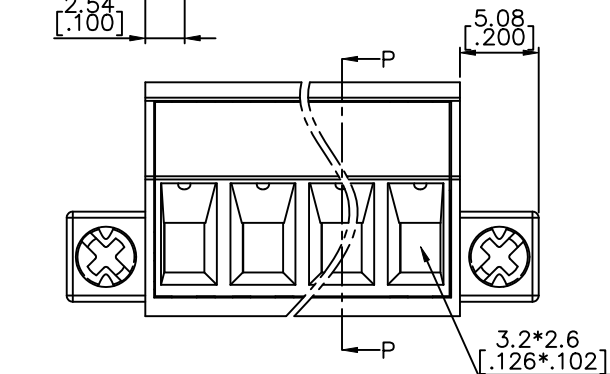
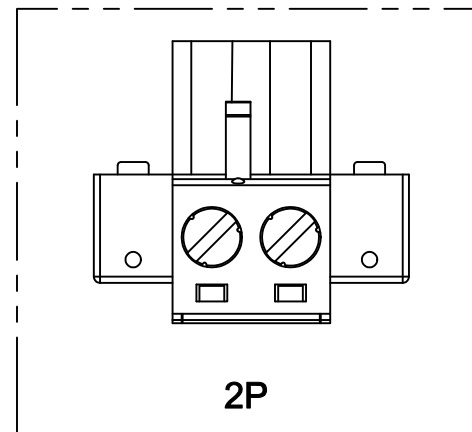
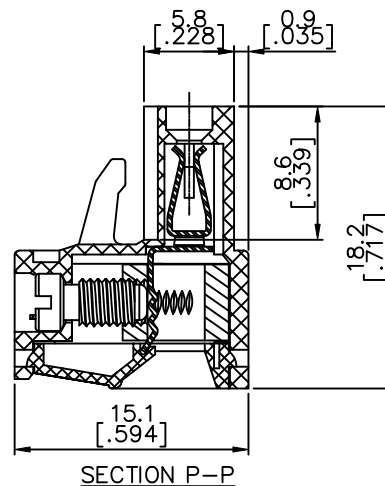
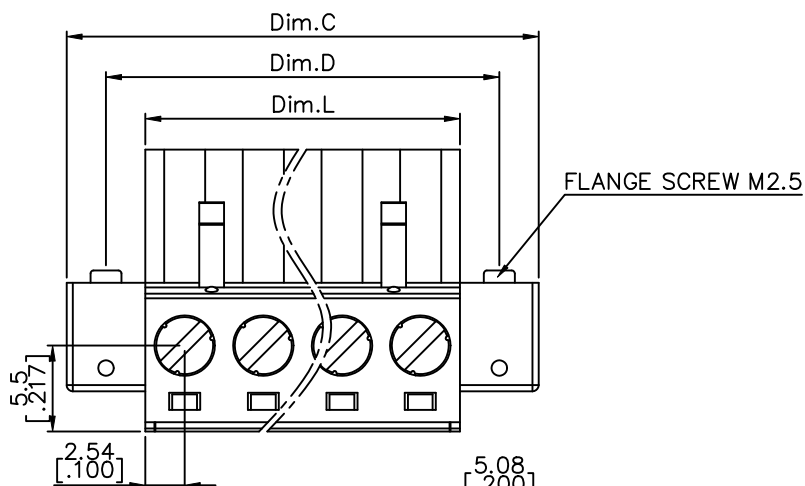
PRODUCT NUMBER	SERIES NAME	PITCH
20020002-HXXXXXLf	01-508	5.08 mm



N= Number of poles

Dim L	N*5.08 [.200]
Dim B	(N-1)*5.08 [.200]
Dim C	(N+2)*5.08 [.200]
Dim D	(N+1)*5.08 [.200]

Poles	Tolerance
2P-7P	±0.15 [.006]
8P-12P	±0.25 [.010]
13P-18P	±0.30 [.012]
19P-24P	±0.40 [.016]



mat'l. code	surface ASME Y14.5	tolerance ASME Y14.5	projection 	product family TERMINAL BLOCK
ltr	ecn no	dr	date	title
tolerances unless otherwise specified				TERMINAL BLOCK PLUGGABLE, PLUG, SINGAL, W/FLANGE DOWNSIDE CONTACT
c	angles	line	scale	
	X°±1'	X.XX±0.1	MM [INCH]	
	dr	WENDY CHEN	051410	sheet 3 of 3 size
	enr	JASON HSU	051410	
	chr	GARY HSIEH	051410	
	appd	JOSEPH HSIA	051410	
sheet index	revision sheet			type CUSTOMER Drawing



X-ON Electronics

Largest Supplier of Electrical and Electronic Components

Click to view similar products for [Pluggable Terminal Blocks](#) category:

Click to view products by [Amphenol](#) manufacturer:

Other Similar products are found below :

[57.510.0053](#) [MC 1.5/ 6-ST-3.5 GY AU](#) [734-104](#) [734-302](#) [8-141-P](#) [8426620000](#) [860505](#) [860810](#) [GBPACX-12](#) [93.731.4953.0](#) [PV05-5,08-K](#)
[PVP04-3,50](#) [PVS02-5,00](#) [1-1986160-3](#) [1377680000](#) [1531000000](#) [1546228-5](#) [ELFH16150](#) [ELFP03110](#) [ELFP10210](#) [ELFT06250](#)
[ELVP03100](#) [1700410](#) [1700425](#) [1702246](#) [1717806](#) [1719600](#) [1734692](#) [1734795](#) [1740291](#) [1752441](#) [1752865](#) [1754144](#) [1760051](#) [1760336](#)
[1777701](#) [1783410](#) [1800227](#) [1801080](#) [1836888](#) [1848818](#) [1849079](#) [1860870](#) [1876327](#) [1896417](#) [1903096](#) [19346](#) [1946309](#) [1970579](#) [1973592](#)