

PRODUCT NUMBER
20020002-XXXXXXLF

20020002 - [] [] [] [] [] [] [] LF

PITCH

G: 5.00 mm
H: 5.08 mm

POLES

02: 2 poles
03: 3 poles
04: 4 poles
|
|
24: 24 poles

LF : DENOTED RoHS COMPATIBLE

1 : STANDARD PRODUCT
W/ BOX PACKING

SCREW CODE

CODE	SCREW TYPE	AVAILABILITY
A	-/+	ON REQUEST ONLY
B	-	STANDARD

ALL FLANGE SCREWS ARE ONLY AVAILABLE IN +/- COMBINATION SCREW TYPES.

PROPERTY TABLE			
FCI SERIES NAME		01-500	01-508
PITCH (mm)		5.00	5.08
VOLTAGE RATING (VAC)		300	300
CURRENT RATING (A)		12	12
APPLICABLE WIRE RANGE (AWG)		1-WIRE	12~24
		2-WIRE	18
WIRE CROSS SECTION (mm ²)	SOLID	1-WIRE	2.5
		2-WIRE	1.0
	STRANDED	1-WIRE	2.5
		2-WIRE	1.5
OPENING CONTACT HOUSING(mm ²)		2.6x3.2	2.6x3.2
WIRE STRIP LENGTH(mm)		7~8	7~8
TORQUE +/-10% (N-m/Lb-in)		0.57/5.0	0.57/5.0
SCREW		M3x0.5	M3x0.5
WITHSTANDING VOLTAGE (kV)		1.6	1.6
OPERATING TEMP. (°C)		-40~+115	-40~+115
POLES AVAILABLE		02~24	02~24
SAFETY CERTIFICATE			

HOUSING CODE

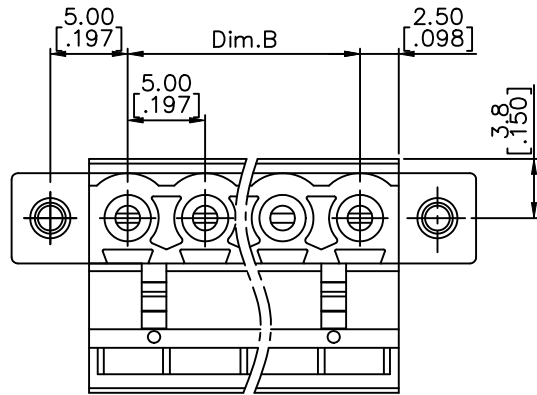
CODE	COLOR	AVAILABILITY
1	GREEN(RAL 6018/T)	STANDARD
2	BLACK	ON REQUEST ONLY
3	GREY(RAL 7004/P)	ON REQUEST ONLY
4	BLUE(RAL 5015/A)	ON REQUEST ONLY

NOTES:

- MATERIALS
1-1 HOUSING: THERMALPLASTIC RESIN, UL 94V-0 RATED.
1-2 SCREW: STEEL, ZINC PLATED.
1-3 CLAMP: COPPER ALLOY, NICKEL PLATED.
1-4 TERMINAL: COPPER ALLOY, TIN PLATED.
- PRODUCT SPECIFICATION REFER TO FCI GS-12-625.
- PRODUCT PACKING SPECIFICATION REFER TO FCI GS-14-1394.
- FCI, SAFETY CERTIFICATE LOGO AND SERIES NAME TO BE SHOWN ON PRODUCT SURFACE.
- THE PRODUCTS WHERE THE PART NUMBER END IN "LF" MEET THE EUROPEAN UNION DIRECTIVE AND OTHER COUNTRY REGULATIONS AS DESCRIBED IN GS-22-008.

mat'l. code				surface ASME Y14.5 ✓ / tolerance ASME Y14.5		projection		product family TERMINAL BLOCK	
litr ecn no dr date				tolerances unless otherwise specified				title	
A	T10-0082	WL	080510	angles	X.±0.5	MM		TERMINAL BLOCK	
B	T10-0158	WL	100410	toler	X.X±0.3	[INCH]		PLUGGABLE, PLUG, SINGAL, W/FLANGE	
C	T-005908	WL	091311	X'±1"	X.XX±0.1	scale		DOWNSIDE CONTACT	
dr WENDY CHEN 051410				enrg JASON HSU 051410		chr GARY HSIEH 051410		appd JOSEPH HSIA 051410	
sheet index				revision C C C		sheet 1 of 3		size A4	
sheet 1				revision 2		sheet 2		type CUSTOMER Drawing	

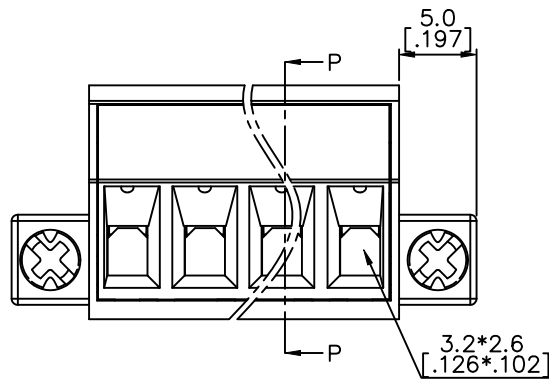
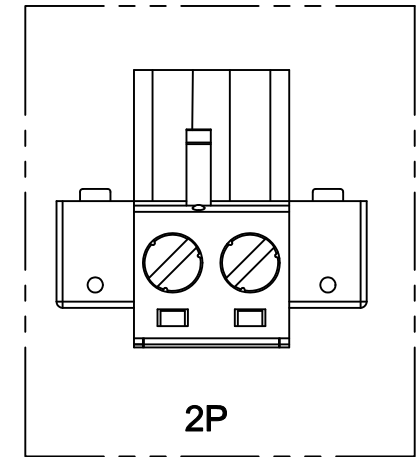
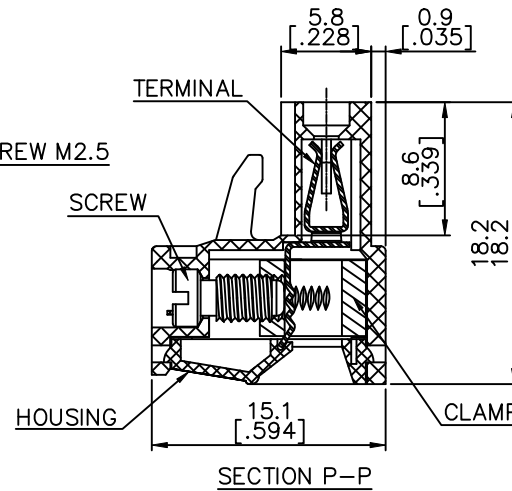
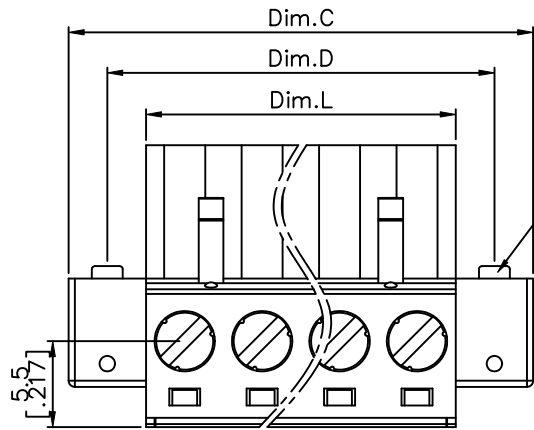
PRODUCT NUMBER	SERIES NAME	PITCH
20020002-GXXXXXLf	01-500	5.00 mm



N= Number of poles

Dim L	N*5.0 [.197]
Dim B	(N-1)*5.0 [.197]
Dim C	(N+2)*5.0 [.197]
Dim D	(N+1)*5.0 [.197]

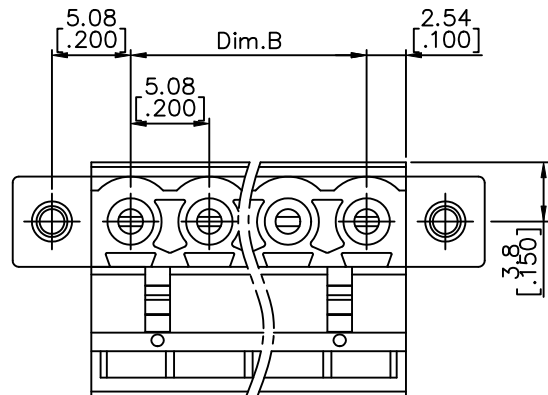
Poles	Tolerance
2P-7P	±0.15 [.006]
8P-12P	±0.25 [.010]
13P-18P	±0.30 [.012]
19P-24P	±0.40 [.016]



mat'l. code	surface ASME Y14.5	tolerance ASME Y14.5	projection MM INCH	product family TERMINAL BLOCK	
ltr	ecn	no	dr	date	title TERMINAL BLOCK PLUGGABLE, PLUG, SINGAL, W/FLANGE DOWNSIDE CONTACT
tolerances unless otherwise specified					scale
angles					sheet 2 of 3 size
X±0.5					
X.X±0.3					
X°±1'					
X.XX±0.1					
dr WENDY CHEN 051410					dwg no 20020002
enr JASON HSU 051410					A4
chr GARY HSIEH 051410					type CUSTOMER Drawing
appd JOSEPH HSIA 051410					
sheet index	revision sheet				



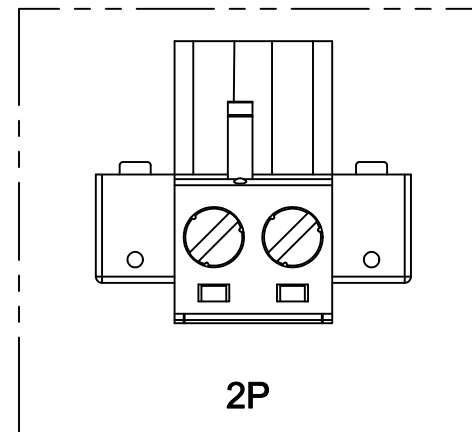
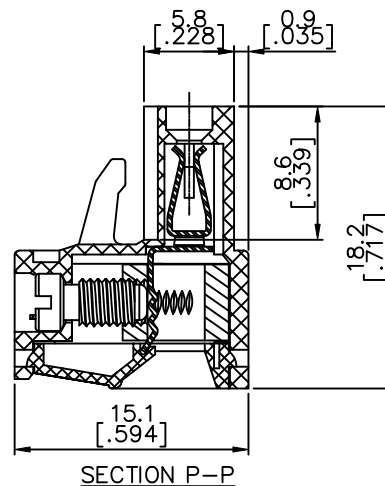
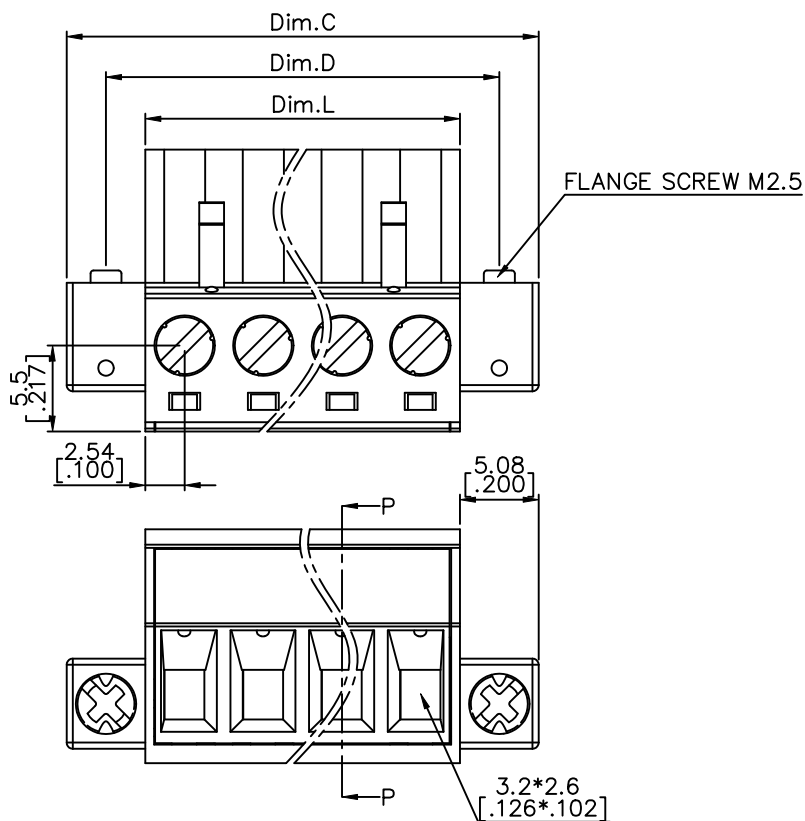
PRODUCT NUMBER	SERIES NAME	PITCH
20020002-HXXXXXLf	01-508	5.08 mm



N= Number of poles

Dim L	N*5.08 [.200]
Dim B	(N-1)*5.08 [.200]
Dim C	(N+2)*5.08 [.200]
Dim D	(N+1)*5.08 [.200]

Poles	Tolerance
2P-7P	±0.15 [.006]
8P-12P	±0.25 [.010]
13P-18P	±0.30 [.012]
19P-24P	±0.40 [.016]



mat'l. code	surface ASME Y14.5	tolerance ASME Y14.5	projection 	product family TERMINAL BLOCK
ltr	ecn no	dr	date	title
c	tolerances unless otherwise specified			TERMINAL BLOCK PLUGGABLE, PLUG, SINGAL, W/FLANGE DOWNSIDE CONTACT
	angles	line	scale	dwg no
	X°±1'	X.X±0.5	MM [INCH]	sheet 3 of 3 size
		X.XX±0.1	FCI	20020002
	dr	WENDY CHEN	051410	A4
	enr	JASON HSU	051410	type
	chr	GARY HSIEH	051410	CUSTOMER Drawing
	appd	JOSEPH HSIA	051410	
sheet index	revision sheet			

X-ON Electronics

Largest Supplier of Electrical and Electronic Components

Click to view similar products for [Amphenol manufacturer](#):

Other Similar products are found below :

[000-10400](#) [000-1075](#) [000-11050](#) [000-14000](#) [000-15875](#) [000-16050](#) [000-16075](#) [000-16750](#) [000-18225](#) [000-18750](#) [000-21900](#) [000-27000](#)
[000-27025](#) [000-27075](#) [000-27975](#) [000-28000](#) [000-28175](#) [000-2900](#) [000-29100](#) [000-32225](#) [000-34000](#) [000-34025](#) [000-34025-RFX](#) [000-34125](#) [000-34450](#) [000-34475](#) [000-34525](#) [000-35275](#) [000-35650-51](#) [000-35650-75](#) [000-35725-75](#) [000-36650-3RFX](#) [000-36775](#) [000-36800](#)
[000-36800-RFX](#) [000-36825](#) [000-36875](#) [000-4400](#) [000-4500](#) [000-46650-51](#) [000-46650-51RFX](#) [000-46650-75RFX](#) [000-46650-93RFX](#) [000-47000](#) [000-4700-51](#) [000-47025](#) [000-49000](#) [000-49000-RFX](#) [000-5275](#) [000-53100](#)