

PRODUCT NUMBER
20020004-XXXXXXLF

20020004-□ □ □ □ □ 0 □ LF



PITCH  
C: 3.50 mm  
D: 3.81 mm

POLES  
02: 2 POLES  
03: 3 POLES  
04: 4 POLES  
24: 24 POLES

LF : DENOTED RoHS COMPATIBLE



1 : STANDARD PRODUCT W/ BOX PACKING

SCREW CODE

PROPERTY TABLE			
FCI SERIES NAME		01-350	01-381
PITCH (mm)		3.50	3.81
VOLTAGE RATING (VAC)		300	300
CURRENT RATING (A)	cULus	10	10
	VDE	10.5	10.5
APPLICABLE WIRE RANGE (AWG)	1-WIRE	16~26	16~26
	2-WIRE	20	20
WIRE CROSS SECTION (mm <sup>2</sup> )	SOLID	1-WIRE	1.5
		2-WIRE	0.5
	STRANDED	1-WIRE	1.5
		2-WIRE	0.75
OPENING CONTACT HOUSING(mm <sup>2</sup> )		1.6x2.5	1.7x2.5
WIRE STRIP LENGTH(mm)		6~7	6~7
TORQUE +/- 10% (N-m/Lb-in)		0.23/2.0	0.23/2.0
SCREW		M2x0.4	M2x0.4
WITHSTANDING VOLTAGE (kV)	cULus	1.6	1.6
	VDE	2.5	2.5
OPERATING TEMP. (°C)		-40~+115	-40~+115
POLES AVAILABLE		02~24	02~24
SAFETY CERTIFICATE			

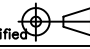
HOUSING CODE

CODE	COLOR	AVAILABILITY
1	GREEN(RAL 6018/T)	STANDARD
2	BLACK	ON REQUEST ONLY
3	GREY(RAL 7004/P)	ON REQUEST ONLY
4	BLUE(RAL 5015/A)	ON REQUEST ONLY

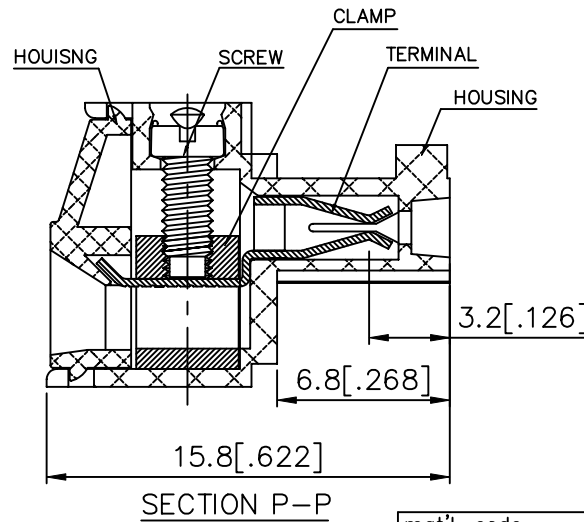
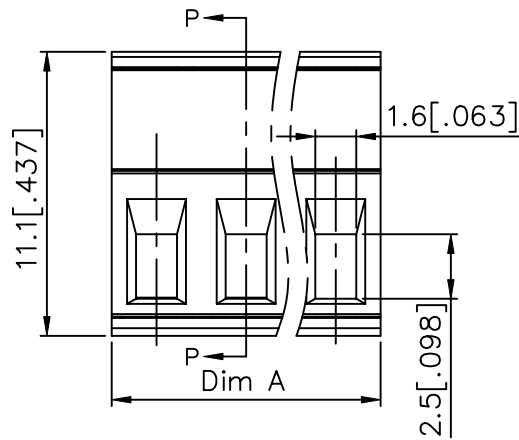
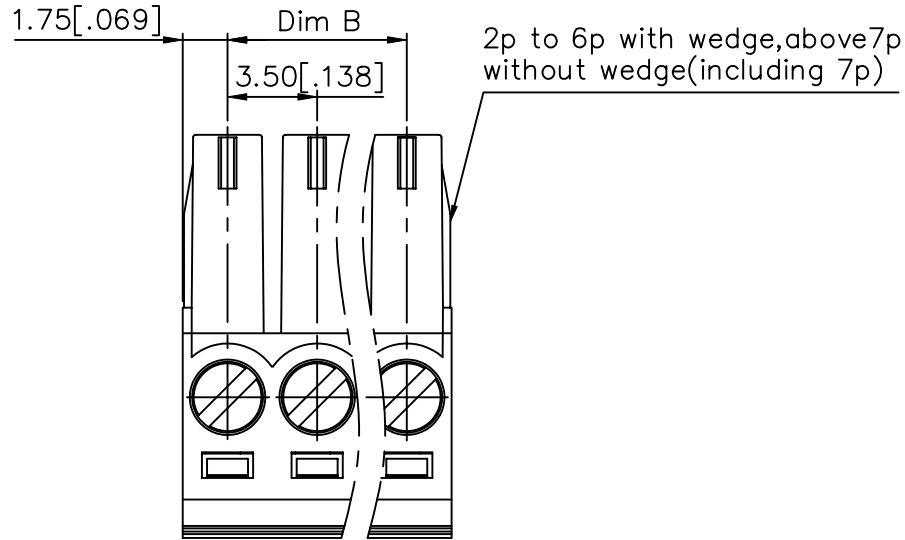
CODE	SCREW TYPE	AVAILABILITY
A	-/+ 	ON REQUEST ONLY
B	- 	STANDARD

NOTES:

- MATERIALS  
1-1 HOUSING: THERMALPLASTIC RESIN, UL 94V-0 RATED.  
1-2 SCREW: STEEL, ZINC PLATED.  
1-3 CLAMP: COPPER ALLOY, NICKEL PLATED.  
1-4 TERMINAL: COPPER ALLOY, TIN PLATED.
- PRODUCT SPECIFICATION REFER TO FCI GS-12-625.
- BOXED PACKAGING,  
DETAILED PRODUCT PACKING SPECIFICATION REFER TO FCI GS-14-1394.
- FCI, SAFETY CERTIFICATE LOGO AND SERIES NAME TO BE SHOWN ON PRODUCT SURFACE.
- THE PRODUCTS WHERE THE PART NUMBER END IN "LF" MEET THE EUROPEAN UNION DIRECTIVE AND OTHER COUNTRY REGULATIONS AS DESCRIBED IN GS-22-008.

mat'l. code				surface ASME Y14.5	tolerance ASME Y14.5	projection 	product family TERMINAL BLOCK
ltr	ecn no	dr	date	tolerances unless otherwise specified			title
E	T10-0127	WL	080910	angles	X.±0.5[.020]	MM	TERMINAL BLOCK
F	T10-0147	WL	091310	to 1°	X.X±0.3[.012]	[INCH]	PLUGGABLE PLUG, SIGNAL, W/O FLANGE CONTACT UP SIDE
G	T10-0159	WL	100410	X°±1°	X.XX±0.1[.004]	scale	
H	T10-0187	WL	121410	dr	BEER FU	062509	dwg no
J	T10-0193	WL	122310	enr	BEER FU	062509	sheet 1 of 3
K	T11-0013	WL	040811	chr	GARY HSIEH	062509	20020004
L	T-004746	WL	072011	appd	JOSEPH HSIA	062509	A4
sheet	revision	L	L	L			type
index	sheet	1	2	3			CUSTOMER Drawing

PRODUCT NUMBER	SERIES NAME	PITCH
20020004-CXXXXXL	01-350	3.50 mm



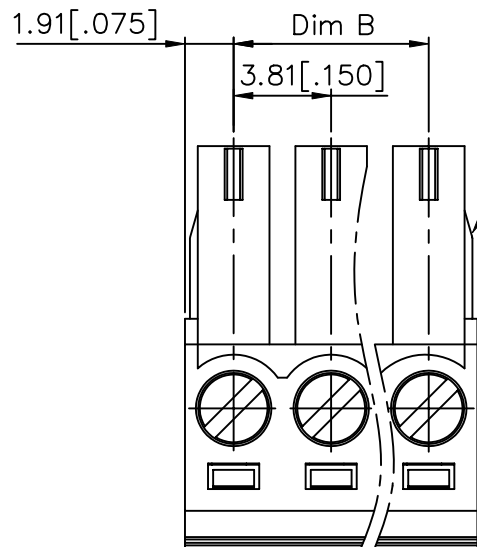
N = Number of Poles  
Dim A =  $N \times 3.5$  [.138]  
Dim B =  $(N-1) \times 3.5$  [.138]

POLES	Dim A	Dim B
2-6p	$\pm 0.15$ [.006]	
7-12p	$\pm 0.20$ [.008]	
13-18p	$\pm 0.25$ [.010]	
19-24p	$\pm 0.30$ [.012]	

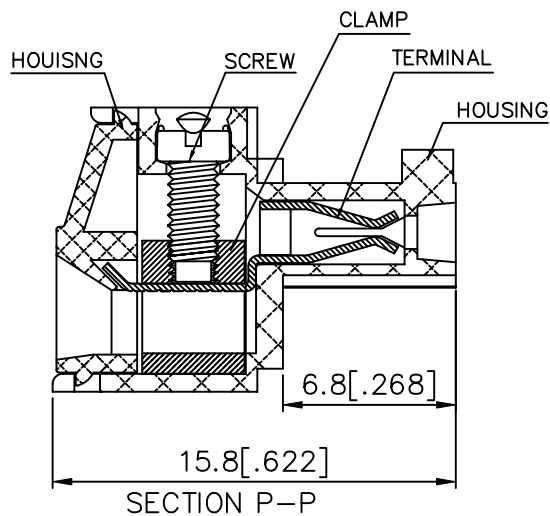
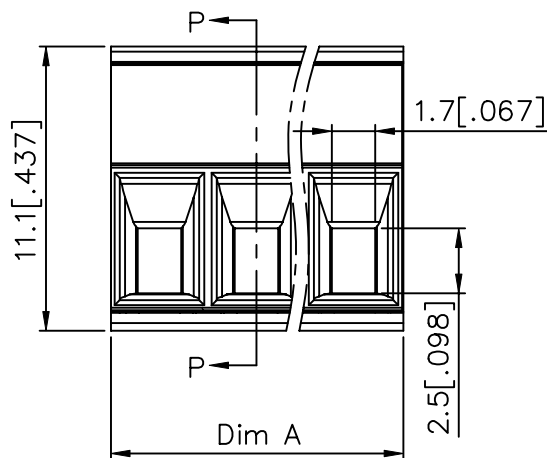
mat'l. code		surface ASME Y14.5 ✓	tolerance ASME Y14.5	projection MM INCH	product family TERMINAL BLOCK
ltr	ecn no	dr	date	tolerances unless otherwise specified	title
L				angles X ± 0.5 [.020] X.X ± 0.3 [.012] X ± 1°      X.XX ± 0.1 [.004]	TERMINAL BLOCK PLUGABLE, PLUG, SIGNAL, W/O FLANGE
		dr	BEER FU	062509	sheet 2 of 3 size
		enr	BEER FU	062509	20020004
		chr	GARY HSIEH	062509	A4
		app	JOSEPH HSIA	062509	type CUSTOMER Drawing
sheet index	revision sheet				



PRODUCT NUMBER	SERIES NAME	PITCH
20020004-DXXXXXL	01-381	3.81 mm



2p to 6p with wedge, above 7p without wedge (including 7p)



N = Number of Poles  
 Dim A = N x 3.81 [.150]  
 Dim B = (N - 1) x 3.81 [.150]

POLES	Dim A	Dim B
2-6p	±0.15 [.006]	
7-12p	±0.20 [.008]	
13-18p	±0.25 [.010]	
19-24p	±0.30 [.012]	

mat'l. code		surface ASME Y14.5 ✓	tolerance ASME Y14.5	projection MM	product family TERMINAL BLOCK
ltr	ecn no	dr	date	tolerances unless otherwise specified	title
L				angles X ± 1°	TERMINAL BLOCK
				inches X.X ± 0.3 [.012]	PLUGABLE, PLUG, SIGNAL, W/O FLANGE
				scale	sheet 3 of 3 size
		dr	BEER FU 062509		20020004
		enr	BEER FU 062509		A4
		chr	GARY HSIEH 062509		
		app	JOSEPH HSIA 062509		
sheet index	revision sheet				type CUSTOMER Drawing



## X-ON Electronics

Largest Supplier of Electrical and Electronic Components

*Click to view similar products for [Pluggable Terminal Blocks](#) category:*

*Click to view products by [Amphenol](#) manufacturer:*

Other Similar products are found below :

[57.510.0053](#) [MC 1.5/ 6-ST-3.5 GY AU](#) [734-104](#) [734-302](#) [8-141-P](#) [8426620000](#) [860505](#) [860810](#) [GBPACX-12](#) [93.731.4953.0](#) [PV05-5,08-K](#)  
[PVP04-3,50](#) [PVS02-5,00](#) [1-1986160-3](#) [1377680000](#) [1531000000](#) [1546228-5](#) [ELFH16150](#) [ELFP03110](#) [ELFP10210](#) [ELFT06250](#)  
[ELVP03100](#) [1700410](#) [1700425](#) [1702246](#) [1717806](#) [1719600](#) [1734692](#) [1734795](#) [1740291](#) [1752441](#) [1752865](#) [1754144](#) [1760051](#) [1760336](#)  
[1777701](#) [1783410](#) [1800227](#) [1801080](#) [1836888](#) [1848818](#) [1849079](#) [1860870](#) [1876327](#) [1896417](#) [1903096](#) [19346](#) [1946309](#) [1970579](#) [1973592](#)