

PRODUCT NUMBER  
20020006-XXXXXXLF


20020006 — □ □ □ □ □ ○ □ L F

PITCH  
G: 5.00 mm  
H: 5.08 mm

POLES  
02: 2 POLES  
03: 3 POLES  
04: 4 POLES  
—  
24: 24 POLES

LF : DENOTED RoHS COMPATIBLE



1 : STANDARD PRODUCT W/ BOX PACKING

PROPERTY TABLE			
FCI SERIES NAME		01-500	01-508
PITCH (mm)		5.00	5.08
VOLTAGE RATING (VAC)		300	300
CURRENT RATING (A)		12	12
APPLICABLE WIRE RANGE (AWG)	1-WIRE	12~24	12~24
	2-WIRE	18	18
WIRE CROSS SECTION (mm <sup>2</sup> )	SOLID		
	1-WIRE	2.5	2.5
	2-WIRE	1.0	1.0
	STRANDED		
	1-WIRE	2.5	2.5
	2-WIRE	1.5	1.5
OPENING CONTACT HOUSING(mm <sup>2</sup> )		2.6x3.2	2.6x3.2
WIRE STRIP LENGTH(mm)		7~8	7~8
TORQUE +/-10% (N-m/Lb-in)		0.57/5.0	0.57/5.0
SCREW		M3x0.5	M3x0.5
WITHSTANDING VOLTAGE (kV)		1.6	1.6
OPERATING TEMP. (°C)		-40~+115	-40~+115
POLES AVAILABLE		02~24	02~24
SAFETY CERTIFICATE			

HOUSING CODE

CODE	COLOR	AVAILABILITY
1	GREEN(RAL 6018/T)	STANDARD
2	BLACK	ON REQUEST ONLY
3	GREY(RAL 7004/P)	ON REQUEST ONLY
4	BLUE(RAL 5015/A)	ON REQUEST ONLY

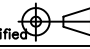

SCREW CODE

CODE	SCREW TYPE	AVAILABILITY
A	-/+ 	ON REQUEST ONLY
B	- 	STANDARD

NOTES:

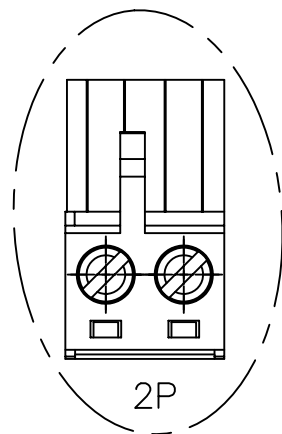
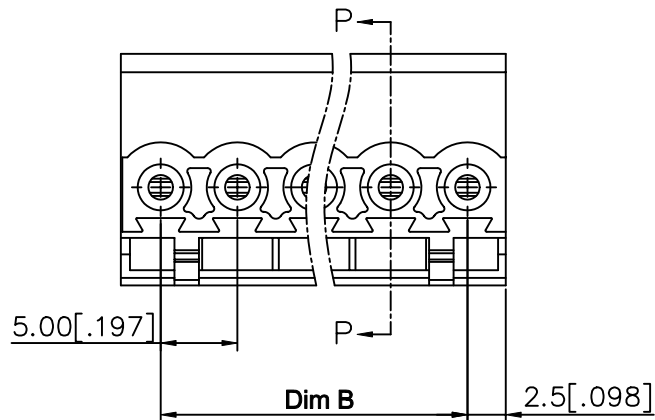
MATERIALS

- 1-1 HOUSING: THERMALPLASTIC RESIN, UL 94V-0 RATED.
- 1-2 SCREW: STEEL, ZINC PLATED.
- 1-3 CLAMP: COPPER ALLOY, NICKEL PLATED.
- 1-4 TERMINAL: COPPER ALLOY, TIN PLATED.
- 2. PRODUCTION SPECIFICATION REFER TO FCI GS-12-625.
- 3. BOXED PACKAGING.  
DETAILED PRODUCT PACKING SPECIFICATION REFER TO FCI GS-14-1394.
- 4. FCI, SAFETY CERTIFICATE LOGO AND SERIES NAME TO BE SHOWN ON PRODUCT SURFACE.
- 5. THE PRODUCTS WHERE THE PART NUMBER END IN "LF" MEET THE EUROPEAN UNION DIRECTIVE AND OTHER COUNTRY REGULATIONS AS DESCRIBED IN GS-22-008.

mat'l. code				surface ASME Y14.5	tolerance ASME Y14.5	projection	product family
ltr	ecn no	dr	date	tolerances unless otherwise specified			TERMINAL BLOCK
D	T10-0042	WL	030310	angles	X.±0.5[.020]	 MM [INCH]	title
E	T10-0127	WL	080910		X.X±0.3[.012]		
F	T10-0159	WL	100410		X.XX±0.1[.004]	TERMINAL BLOCK PLUGGABLE PLUG, CONTACT UP SIDE	sheet 1 of 3 size 20020006 A4
G	T10-0187	WL	121410	dr	BEER FU 062509	scale	
H	T-004746	WL	072011	enr	BEER FU 062509		dwg no 20020006 type CUSTOMER Drawing
				chr	GARY HSIEH 062509		
				appd	JOSEPH HSIA 062509		
sheet index	revision sheet	H	H	H			
		1	2	3			



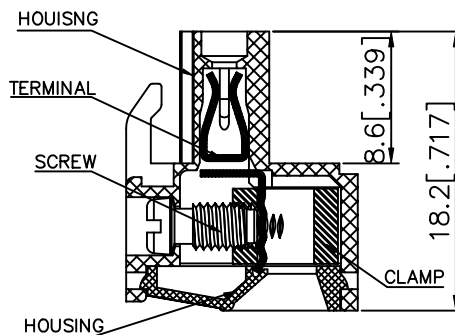
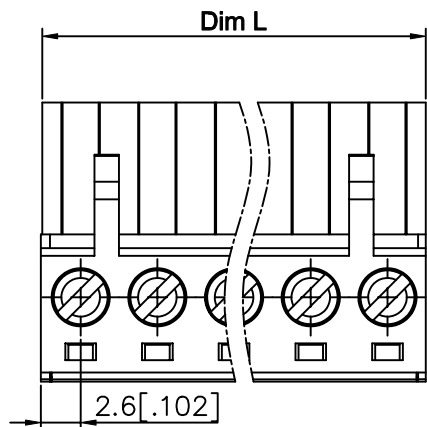
PRODUCT NUMBER	SERIES NAME	PITCH
20020006-GXXXXXLf	01-500	5.00 mm



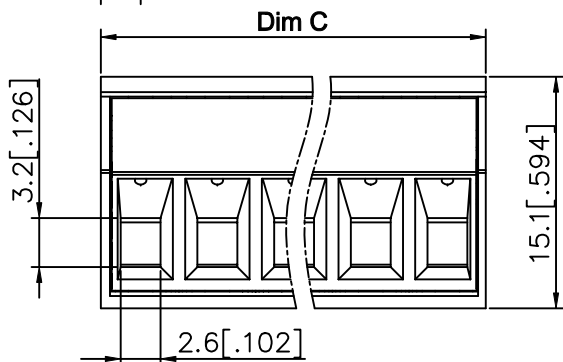
N= NUMBER OF POLES  
DIMENSION

Dim L	$N \times 5.0 [.197]$
Bim B	$(N-1) \times 5.0 [.197]$
Dim C	$N \times 5.0 [.197] + 0.10 [.004]$

Poles	Tolerance
2P-5P	$\pm 0.15 [.006]$
6P-10P	$\pm 0.20 [.008]$
11P-15P	$\pm 0.25 [.010]$
16P-20P	$\pm 0.30 [.012]$
21P-24P	$\pm 0.40 [.016]$



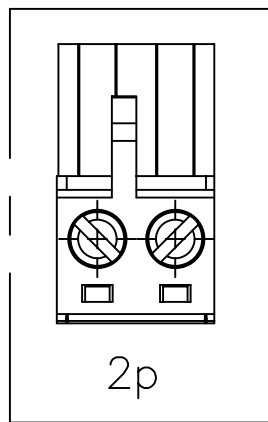
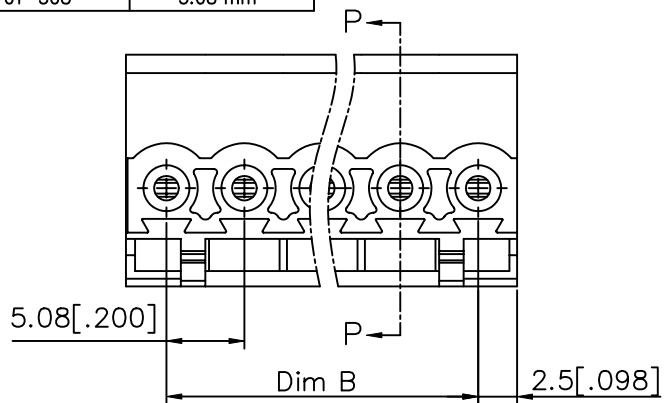
SECTION P-P



mat'l. code		surface ASME Y14.5	tolerance ASME Y14.5	projection 	product family TERMINAL BLOCK	
ltr	ecn no	dr	date	title		
tolerances unless otherwise specified				MM [INCH]	TERMINAL BLOCK PLUGGABLE PLUG, CONTACT UP SIDE	
angles		$X \pm 0.5 [.020]$ $X.X \pm 0.3 [.012]$ $X \pm 1'$ $X.XX \pm 0.1 [.004]$				
dr		BEER FU	062509	scale	dwg no	
enr		BEER FU	062509		sheet 2 of 3	
chr		GARY HSIEH	062509		20020006	A4
appd		JOSEPH HSIA	062509		type	CUSTOMER Drawing
sheet index	revision sheet					

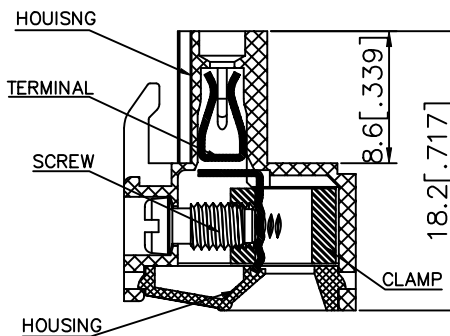
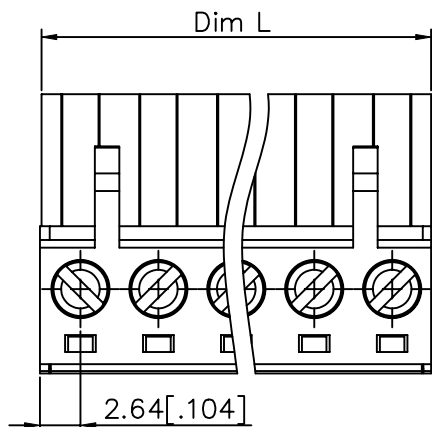


PRODUCT NUMBER	SERIES NAME	PITCH
20020006-HXXXXXLF	01-508	5.08 mm

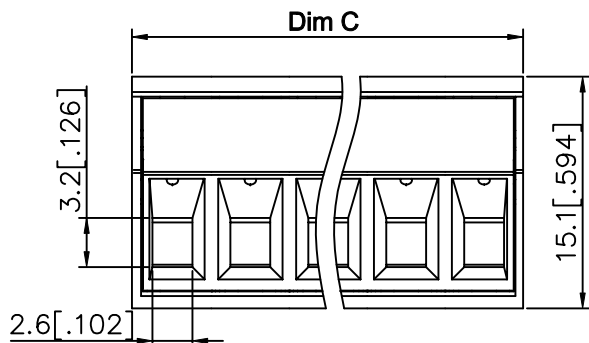


N= NUMBER OF POLES  
DIMENSION

Dim L	$N \times 5.08 [.200]$
Dim B	$(N-1) \times 5.08 [.200]$
Dim C	$N \times 5.08 [.200] + 0.10 [.004]$



Poles	Tolerance
2P-5P	$\pm 0.15 [.006]$
6P-10P	$\pm 0.20 [.008]$
11P-15P	$\pm 0.25 [.010]$
16P-20P	$\pm 0.30 [.012]$
21P-24P	$\pm 0.40 [.016]$



SECTION P-P

mat'l. code	surface ASME Y14.5	tolerance ASME Y14.5	projection 	product family TERMINAL BLOCK
ltr	ecn no	dr	date	title
H				TERMINAL BLOCK PLUGGABLE PLUG, CONTACT UP SIDE
	angles	neat	scale	dwg no
	$X \pm 1^\circ$	$X.X \pm 0.1 [.004]$	MM [INCH]	sheet 3 of 3
	dr	BEER FU	062509	20020006
	enr	BEER FU	062509	A4
	chr	GARY HSIEH	062509	type
	appd	JOSEPH HSIA	062509	CUSTOMER Drawing
sheet index	revision sheet			

## X-ON Electronics

Largest Supplier of Electrical and Electronic Components

*Click to view similar products for [Pluggable Terminal Blocks](#) category:*

*Click to view products by [Amphenol](#) manufacturer:*

Other Similar products are found below :

[57.510.0053](#) [MC 1.5/ 6-ST-3.5 GY AU](#) [734-104](#) [734-302](#) [8-141-P](#) [8426620000](#) [860505](#) [860810](#) [GBPACX-12](#) [93.731.4953.0](#) [PV05-5,08-K](#)  
[PVP04-3,50](#) [PVS02-5,00](#) [1-1986160-3](#) [1377680000](#) [1531000000](#) [1546228-5](#) [ELFH16150](#) [ELFP03110](#) [ELFP10210](#) [ELFT06250](#)  
[ELVP03100](#) [1700410](#) [1700425](#) [1702246](#) [1717806](#) [1719600](#) [1734692](#) [1734795](#) [1740291](#) [1752441](#) [1752865](#) [1754144](#) [1760051](#) [1760336](#)  
[1777701](#) [1783410](#) [1800227](#) [1801080](#) [1836888](#) [1848818](#) [1849079](#) [1860870](#) [1876327](#) [1896417](#) [1903096](#) [19346](#) [1946309](#) [1970579](#) [1973592](#)