

PRODUCT NUMBER
20020006-XXXXXXLF


20020006 — □ □ □ □ □ ○ □ L F

PITCH
G: 5.00 mm
H: 5.08 mm

POLES
02: 2 POLES
03: 3 POLES
04: 4 POLES
—
24: 24 POLES

LF : DENOTED RoHS COMPATIBLE



1 : STANDARD PRODUCT W/ BOX PACKING

PROPERTY TABLE			
FCI SERIES NAME		01-500	01-508
PITCH (mm)		5.00	5.08
VOLTAGE RATING (VAC)		300	300
CURRENT RATING (A)		12	12
APPLICABLE WIRE RANGE (AWG)	1-WIRE	12~24	12~24
	2-WIRE	18	18
WIRE CROSS SECTION (mm ²)	SOLID		
	1-WIRE	2.5	2.5
	2-WIRE	1.0	1.0
	STRANDED		
	1-WIRE	2.5	2.5
	2-WIRE	1.5	1.5
OPENING CONTACT HOUSING(mm ²)		2.6x3.2	2.6x3.2
WIRE STRIP LENGTH(mm)		7~8	7~8
TORQUE +/-10% (N-m/Lb-in)		0.57/5.0	0.57/5.0
SCREW		M3x0.5	M3x0.5
WITHSTANDING VOLTAGE (kV)		1.6	1.6
OPERATING TEMP. (°C)		-40~+115	-40~+115
POLES AVAILABLE		02~24	02~24
SAFETY CERTIFICATE			

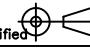

HOUSING CODE

CODE	COLOR	AVAILABILITY
1	GREEN(RAL 6018/T)	STANDARD
2	BLACK	ON REQUEST ONLY
3	GREY(RAL 7004/P)	ON REQUEST ONLY
4	BLUE(RAL 5015/A)	ON REQUEST ONLY

SCREW CODE

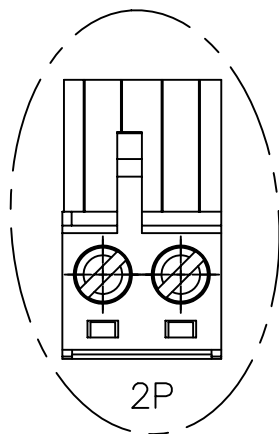
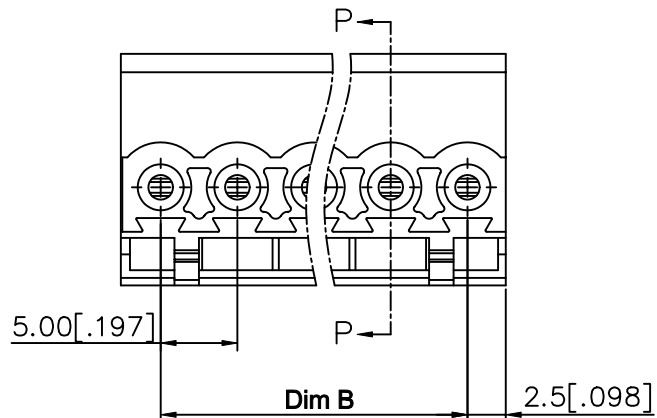
CODE	SCREW TYPE	AVAILABILITY
A	-/+ 	ON REQUEST ONLY
B	- 	STANDARD

- NOTES:
- MATERIALS
1-1 HOUSING: THERMALPLASTIC RESIN, UL 94V-0 RATED.
1-2 SCREW: STEEL, ZINC PLATED.
1-3 CLAMP: COPPER ALLOY, NICKEL PLATED.
1-4 TERMINAL: COPPER ALLOY, TIN PLATED.
 - PRODUCTION SPECIFICATION REFER TO FCI GS-12-625.
 - BOXED PACKAGING.
DETAILED PRODUCT PACKING SPECIFICATION REFER TO FCI GS-14-1394.
 - FCI, SAFETY CERTIFICATE LOGO AND SERIES NAME TO BE SHOWN ON PRODUCT SURFACE.
 - THE PRODUCTS WHERE THE PART NUMBER END IN "LF" MEET THE EUROPEAN UNION DIRECTIVE AND OTHER COUNTRY REGULATIONS AS DESCRIBED IN GS-22-008.

mat'l. code				surface ASME Y14.5 ✓ / tolerance ASME Y14.5		projection 		product family	
ltr	ecn no	dr	date	tolerances unless otherwise specified				TERMINAL BLOCK	
D	T10-0042	WL	030310	angles	X.±0.5[.020]	MM		title	
E	T10-0127	WL	080910	to	X.X±0.3[.012]	[INCH]		TERMINAL BLOCK	
F	T10-0159	WL	100410	to	X.XX±0.1[.004]	scale		PLUGGABLE PLUG, CONTACT UP SIDE	
G	T10-0187	WL	121410	dr	BEER FU	062509		sheet 1 of 3 size	
H	T-004746	WL	072011	enr	BEER FU	062509		20020006 A4	
				chr	GARY HSIEH	062509		type	
				appd	JOSEPH HSIA	062509		CUSTOMER Drawing	
sheet index	revision sheet	H	H	H					
		1	2	3					



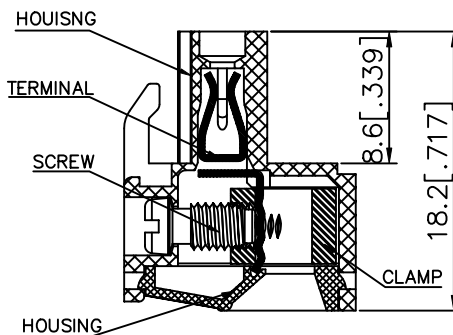
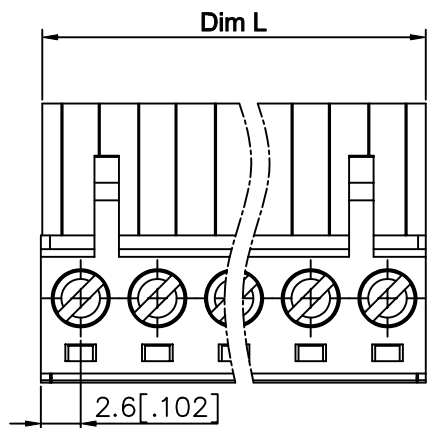
PRODUCT NUMBER	SERIES NAME	PITCH
20020006-GXXXXXLf	01-500	5.00 mm



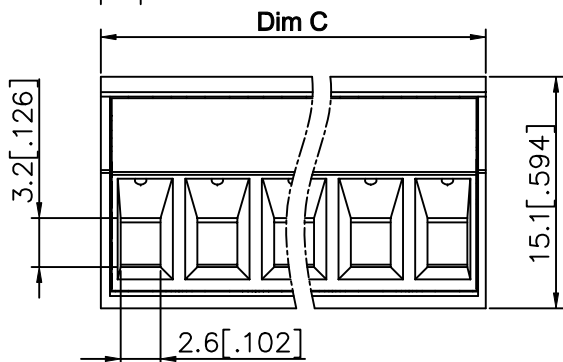
N= NUMBER OF POLES
DIMENSION

Dim L	$N \times 5.0 [.197]$
Bim B	$(N-1) \times 5.0 [.197]$
Dim C	$N \times 5.0 [.197] + 0.10 [.004]$

Poles	Tolerance
2P-5P	$\pm 0.15 [.006]$
6P-10P	$\pm 0.20 [.008]$
11P-15P	$\pm 0.25 [.010]$
16P-20P	$\pm 0.30 [.012]$
21P-24P	$\pm 0.40 [.016]$



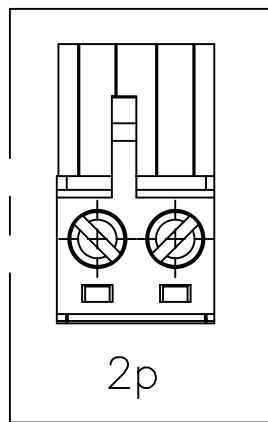
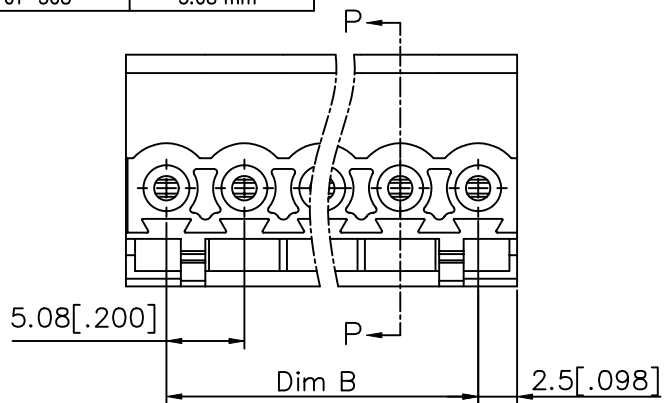
SECTION P-P



mat'l. code		surface ASME Y14.5	tolerance ASME Y14.5	projection 	product family TERMINAL BLOCK	
ltr	ecn no	dr	date	title		
tolerances unless otherwise specified				MM [INCH]	TERMINAL BLOCK PLUGGABLE PLUG, CONTACT UP SIDE	
angles		$X \pm 0.5 [.020]$ $X.X \pm 0.3 [.012]$ $X \pm 1'$ $X.XX \pm 0.1 [.004]$				
dr		BEER FU	062509	scale	dwg no	
enr		BEER FU	062509		sheet 2 of 3	
chr		GARY HSIEH	062509		20020006	A4
appd		JOSEPH HSIA	062509		type	CUSTOMER Drawing
sheet index	revision sheet					

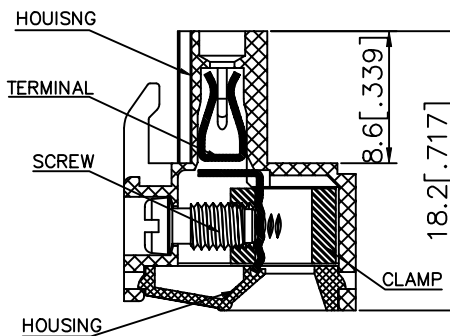
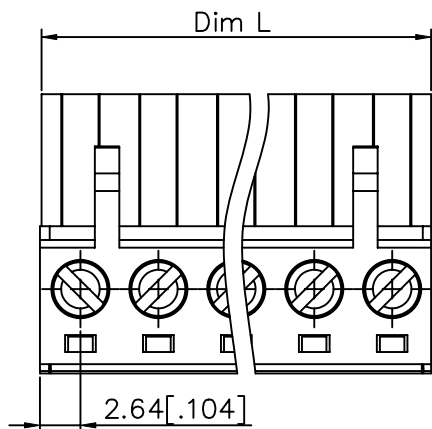


PRODUCT NUMBER	SERIES NAME	PITCH
20020006-HXXXXXLF	01-508	5.08 mm



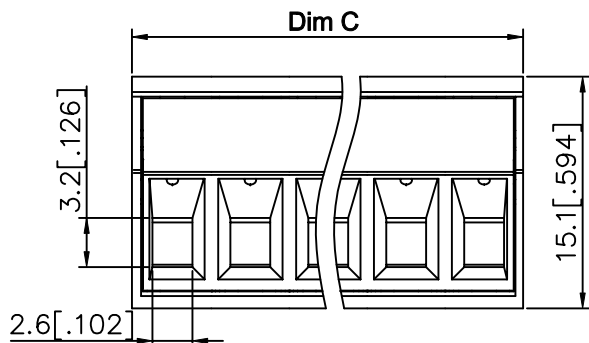
N= NUMBER OF POLES
DIMENSION

Dim L	$N \times 5.08 [.200]$
Bim B	$(N-1) \times 5.08 [.200]$
Dim C	$N \times 5.08 [.200] + 0.10 [.004]$



SECTION P-P

Poles	Tolerance
2P-5P	$\pm 0.15 [.006]$
6P-10P	$\pm 0.20 [.008]$
11P-15P	$\pm 0.25 [.010]$
16P-20P	$\pm 0.30 [.012]$
21P-24P	$\pm 0.40 [.016]$



mat'l. code	surface ASME Y14.5 ✓	tolerance ASME Y14.5	projection 	product family TERMINAL BLOCK
ltr	ecn no	dr	date	title
H				TERMINAL BLOCK PLUGGABLE PLUG, CONTACT UP SIDE
	angles	neat	scale	dwg no 20020006
	$X \pm 1^\circ$	$X.X \pm 0.1 [.004]$	MM [INCH]	sheet 3 of 3 size A4
	dr	BEER FU	062509	FCI type CUSTOMER Drawing
	enr	BEER FU	062509	
	chr	GARY HSIEH	062509	
	appd	JOSEPH HSIA	062509	
sheet index	revision sheet			

X-ON Electronics

Largest Supplier of Electrical and Electronic Components

Click to view similar products for [Pluggable Terminal Blocks](#) category:

Click to view products by [Amphenol](#) manufacturer:

Other Similar products are found below :

[57.404.7553](#) [57.504.0053.7](#) [57.510.0053](#) [57.910.6153](#) [01.112.1453](#) [CTB932VE/6](#) [MC 1.5/ 6-ST-3.5 GY AU](#) [ET02015000J0G](#) [734-104](#) [734-302](#) [734-304](#) [8-141-P](#) [FKCT 2.5/ 3-ST KMGY](#) [860505](#) [860508](#) [860516](#) [860810](#) [861908](#) [GBPACX-12](#) [93.731.4953.0](#) [PV05-5,08-K](#) [PVP02-5,00](#) [PVP04-3,50](#) [PVS02-5,00](#) [1-1986160-3](#) [H-10](#) [1546228-5](#) [ELFP03110](#) [ELVP03100](#) [ELXH03100](#) [ELXP041G0](#) [ELXT046G0](#) [1700101](#) [1700410](#) [1700425](#) [1703176](#) [1703243](#) [1705229](#) [1710175](#) [1714537](#) [1717806](#) [1719600](#) [1728941](#) [1729386](#) [1734692](#) [1734795](#) [1736036](#) [1740194](#) [1740291](#) [1740628](#)