

PRODUCT NUMBER
20020009-XXXXXXLF

20020009 -

PITCH
C : 3.50 mm
D : 3.81 mm
G : 5.00 mm
H : 5.08 mm

POLES
02: 2 POLES
03: 3 POLES
04: 4 POLES
:
:
:
24: 24 POLES

LF : DENOTES ROHS COMPATIBLE

1 : STANDARD PRODUCT
W/ BOX PACKING

SCREW CODE

PROPERTY TABLE						
FCI SERIES NAME		02-350	02-381	02-500	02-508	
PITCH (mm)		3.50	3.81	5.00	5.08	
VOLTAGE RATING (VAC)		300	300	300	300	
CURRENT RATING (A)	cULus	8	8	12	12	
	VDE	10	10	NA	NA	
APPLICABLE WIRE RANGE (AWG)	1-WIRE	16~28	16~28	12~24	12~24	
	2-WIRE	20	20	18	18	
WIRE CROSS SECTION (mm ²)	SOLID	1-WIRE	1.5	1.5	2.5	2.5
		2-WIRE	0.5	0.5	1.0	1.0
	STRANDED	1-WIRE	1.5	1.5	2.5	2.5
		2-WIRE	0.75	0.75	1.5	1.5
OPENING CONTACT HOUSING(mm ²)		2.8x1.7	2.8x1.7	2.6x3.3	2.6x3.3	
WIRE STRIP LENGTH(mm)		6~7	6~7	6~7	6~7	
TORQUE +/-10% (N-m/Lb-in)		0.19/1.7	0.19/1.7	0.4/3.5	0.4/3.5	
SCREW		M2x0.4	M2x0.4	M3x0.5	M3x0.5	
WITHSTANDING VOLTAGE (kv)	cULus	1.6	1.6	1.6	1.6	
	VDE	2.5	2.5	NA	NA	
OPERATING TEMP. (°C)		-40~+115	-40~+115	-40~+115	-40~+115	
POLES AVAILABLE		02~24	02~24	02~24	02~24	
SAFETY CERTIFICATE						

HOUSING CODE

CODE	COLOR	AVAILABILITY
1	GREEN(RAL 6018/T)	STANDARD
2	BLACK	ON REQUEST ONLY
3	GREY(RAL 7004/P)	ON REQUEST ONLY
4	BLUE(RAL 5015/A)	ON REQUEST ONLY

CODE	SCREW TYPE	AVAILABILITY
A	-/+	ON REQUEST ONLY
B	-	STANDARD

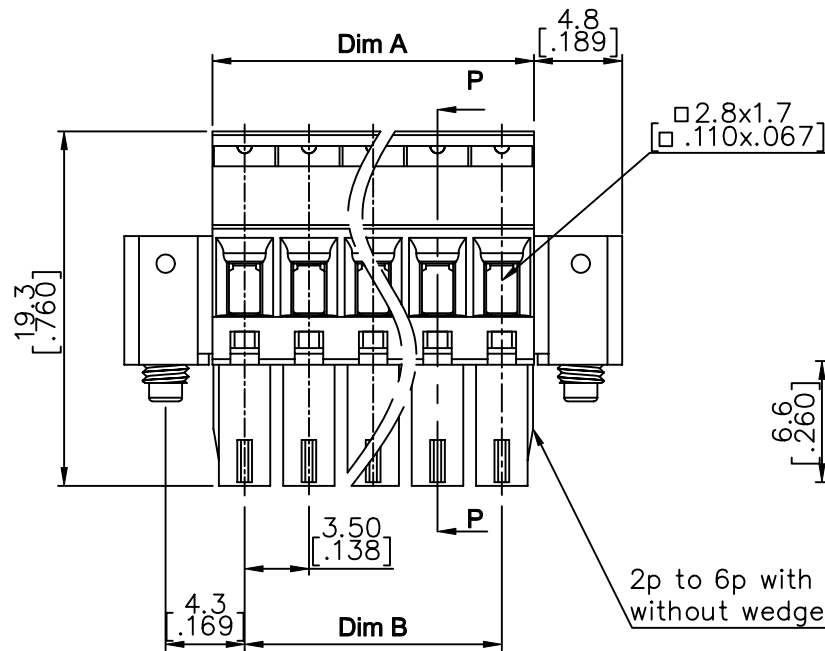
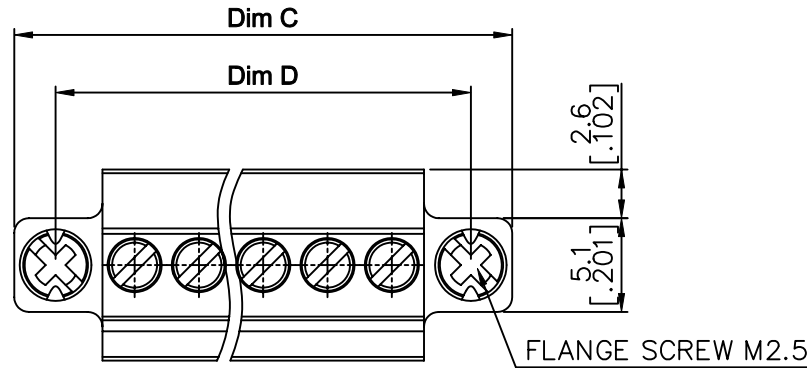
ALL FLANGE SCREWS ARE ONLY AVAILABLE IN +/- COMBINATION SCREW TYPES.

NOTES:

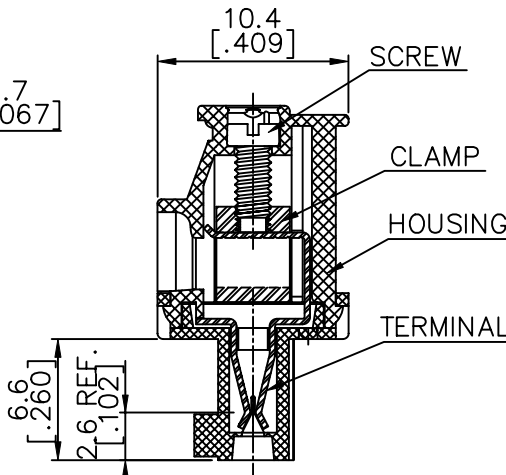
- MATERIALS
 - 1-1 HOUSING: THERMALPLASTIC RESIN, UL 94V-0 RATED.
 - 1-2 SCREW AND FLANGE SCREW: STEEL, ZINC PLATED.
 - 1-3 CLAMP: COPPER ALLOY, NICKEL PLATED.
 - 1-4 TERMINAL: COPPER ALLOY, TIN PLATED.
- PRODUCT SPECIFICATION REFER TO FCI GS-12-625.
- BOXED PACKAGING, DETAILED PRODUCT PACKING SPECIFICATION REFER TO FCI GS-14-1394.
- FCI, SAFETY CERTIFICATE LOGO AND SERIES NAME TO BE SHOWN ON PRODUCT SURFACE.
- THE PRODUCTS WHERE THE PART NUMBER END IN "LF" MEET THE EUROPEAN UNION DIRECTIVE AND OTHER COUNTRY REGULATIONS AS DESCRIBED IN GS-22-008.

mat'l. code		surface ASME Y14.5 ✓		tolerance ASME Y14.5		projection		product family TERMINAL BLOCK	
ltr		ecn no	dr	date		tolerances unless otherwise specified		title	
A	T10-0062	WL		050710		X.±0.5[.020]		TERMINAL BLOCK	
B	T10-0127	WL		080910		X.X±0.3[.012]		PLUGGABLE PLUG, SIGNAL, ENTRYSIDE HOOK	
C	T10-0140	WL		090310		X'±1"		W/FLANGE	
D	T10-0155	WL		093010		dr WENDY CHEN		sheet 1 of 5 size	
E	T10-0187	WL		121410		enr JASON HSU		20020009	
F	T11-0013	WL		040811		chr GARY HSIEH		A4	
G	T-004860	WL		080411		appd JOSEPH HSIA		type CUSTOMER Drawing	
sheet index	revision	G	G	G	G	G	G		
	sheet	1	2	3	4	5			

PRODUCT NUMBER	SERIES NAME	PITCH
20020009-CXXXXXLFF	02-350	3.50 mm



2p to 6p with wedge, above 7p without wedge (including 7p)



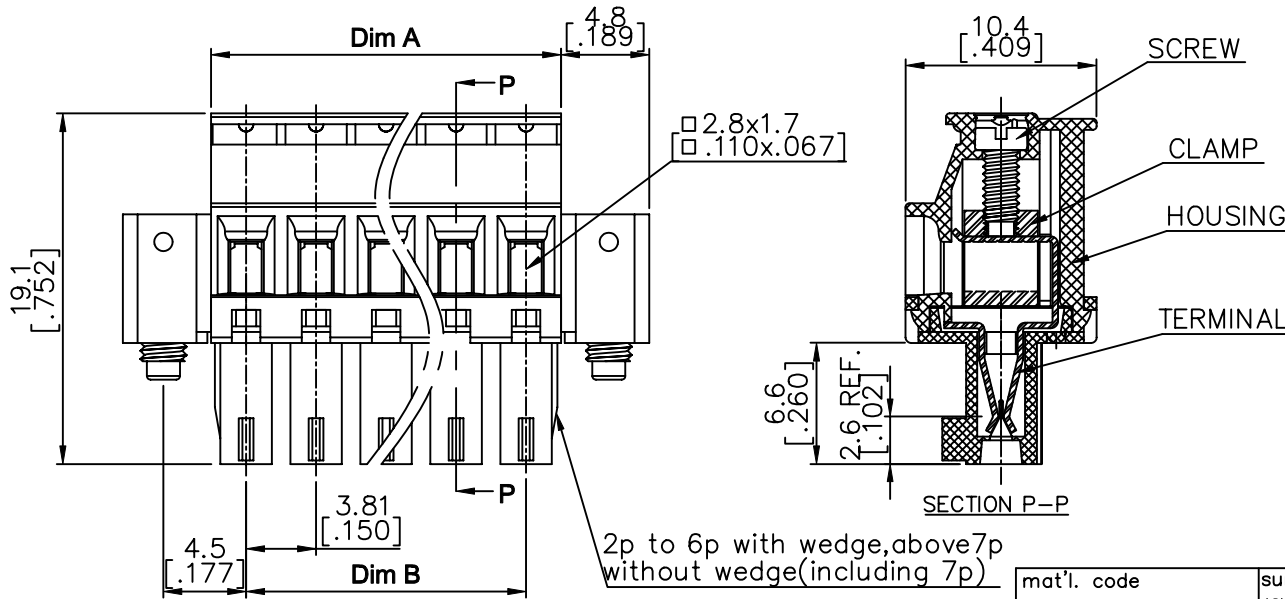
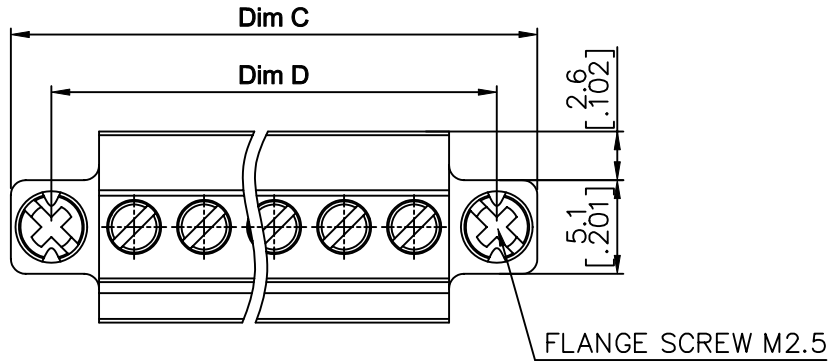
N = Number of poles

Dim A	$N \times 3.5 [.138]$
Dim B	$(N-1) \times 3.5 [.138]$
Dim C	$N \times [.138] 3.5 + 9.6 [.378]$
Dim D	$(N-1) \times 3.5 [.138] + 8.6 [.339]$

Poles	Tolerance
2p-6p	$\pm 0.15 [.006]$
7p-12p	$\pm 0.20 [.008]$
13p-16p	$\pm 0.25 [.100]$
17p-24p	$\pm 0.30 [.012]$

mat'l. code		surface ASME Y14.5	tolerance ASME Y14.5	projection MM INCH	product family TERMINAL BLOCK
ltr	ecn no	dr	date	tolerances unless otherwise specified	title TERMINAL BLOCK PLUGGABLE PLUG, SIGNAL, ENTRYSIDE HOOK W/FLANGE
G				angles X \pm 1° X.XX \pm 0.1 [.004]	scale sheet 2 of 5 size
		dr	WENDY CHEN	042310	dwg no 20020009
		enr	JASON HSU	042310	A4
		chr	GARY HSIEH	042310	type CUSTOMER Drawing
		appd	JOSEPH HSIA	042310	
sheet index	revision sheet				

PRODUCT NUMBER	SERIES NAME	PITCH
20020009-DXXXXXXLF	02-381	3.81 mm



N = Number of poles

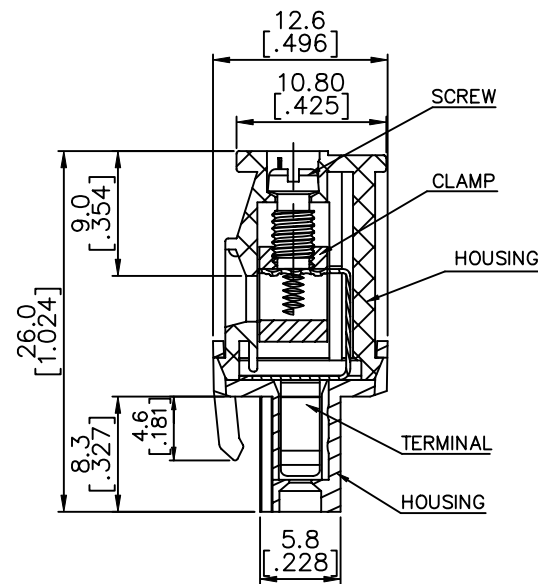
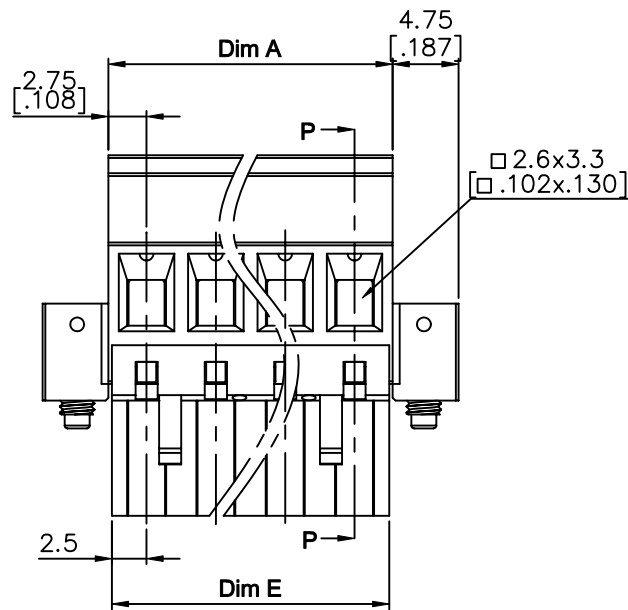
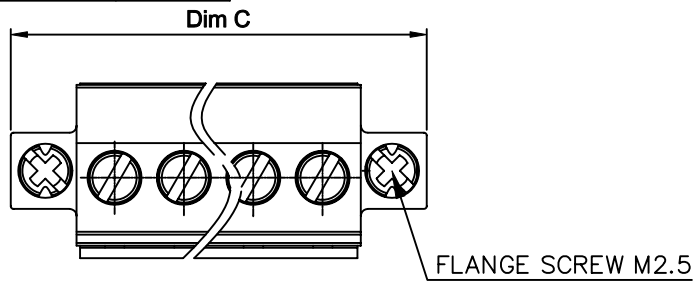
Dim A	$N \times 3.81 [.150]$
Dim B	$(N-1) \times 3.81 [.150]$
Dim C	$N \times 3.81 [.150] + 9.6 [.378]$
Dim D	$(N-1) \times 3.81 [.150] + 9.0 [.354]$

Poles	Tolerance
2p-6p	$\pm 0.15 [.006]$
7p-12p	$\pm 0.20 [.008]$
13p-16p	$\pm 0.25 [.100]$
17p-24p	$\pm 0.30 [.012]$

mat'l. code	surface ASME Y14.5 ✓	tolerance ASME Y14.5	projection [Symbol]	product family TERMINAL BLOCK
ltr	ecn no	dr	date	title
G				TERMINAL BLOCK PLUGGABLE PLUG, SIGNAL, ENTRYSIDE HOOK W/FLANGE
	angles	tol	scale	sheet 3 of 5 size
	X°±1'	X.X±0.5 [.020]	MM [INCH]	20020009
		X.X±0.3 [.012]		A4
		X.XX±0.1 [.004]		type
	dr	WENDY CHEN	042310	CUSTOMER Drawing
	enr	JASON HSU	042310	
	chr	GARY HSIEH	042310	
	appd	JOSEPH HSIA	042310	
sheet index	revision sheet			



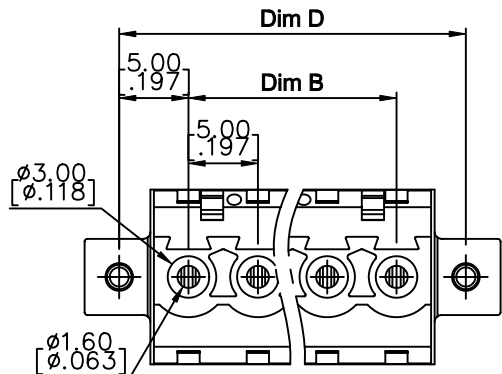
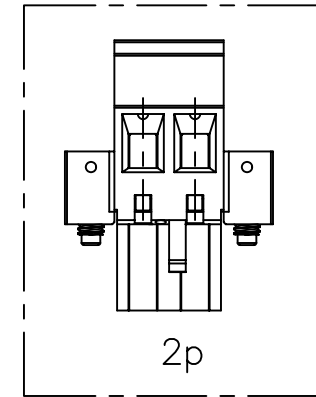
PRODUCT NUMBER	SERIES NAME	PITCH
20020009-GXXXXXXLF	02-500	5.00 mm



N = Number of poles

Dim A	$N \times 5.0[.197] + 0.5[.020]$
Dim B	$(N-1) \times 5.0[.197]$
Dim C	$N \times 5.0[.197] + 10.0[.394]$
Dim D	$(N+1) \times 5.0[.197]$
Dim E	$N \times 5.0[.197]$

Poles	Tolerance
2p-6p	$\pm 0.15[.006]$
7p-12p	$\pm 0.25[.010]$
13p-18p	$\pm 0.30[.012]$
19p-24p	$\pm 0.40[.016]$



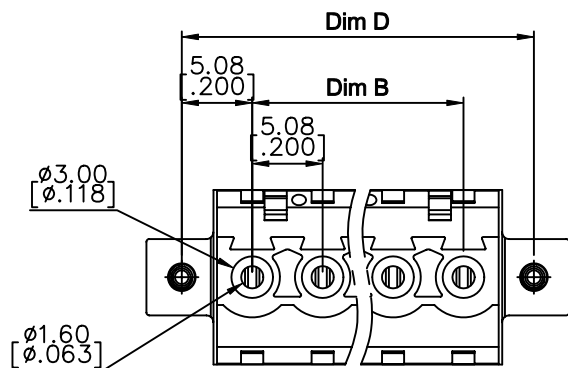
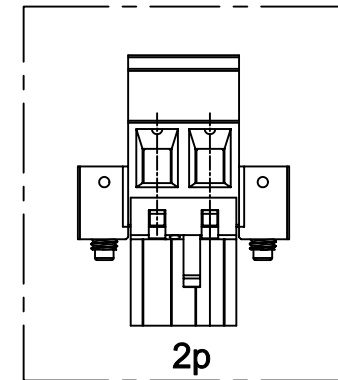
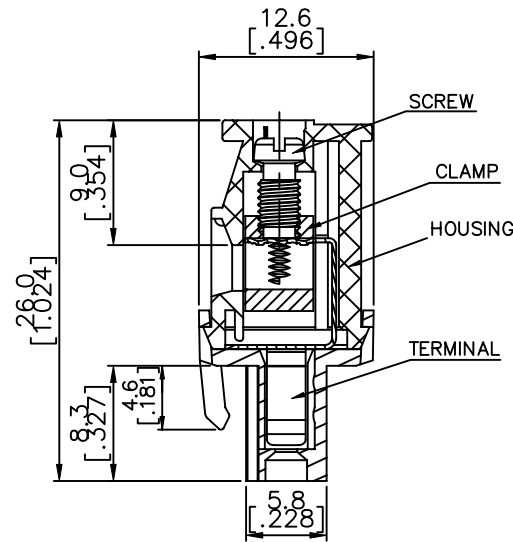
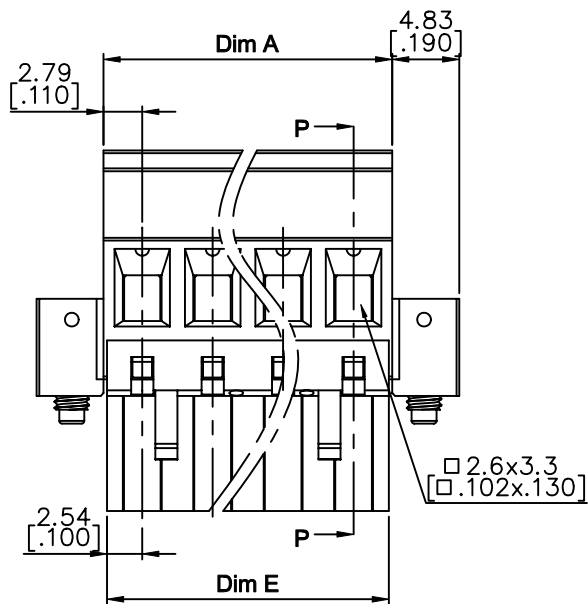
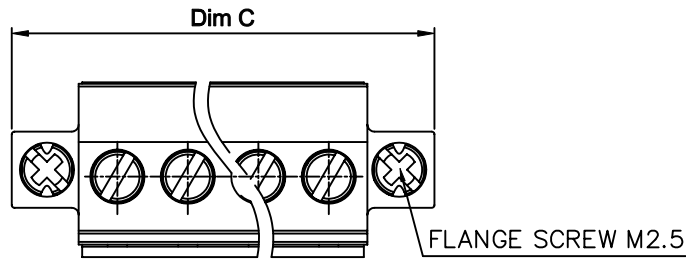
mat'l. code		surface ASME Y14.5	tolerance ASME Y14.5	projection 	product family TERMINAL BLOCK
ltr	ecn no dr	date		tolerances unless otherwise specified	title
G				$X \pm 0.5[.020]$ $X.X \pm 0.3[.012]$ $X.XX \pm 0.1[.004]$	TERMINAL BLOCK PLUGGABLE PLUG, SIGNAL, ENTRYSIDE HOOK W/FLANGE
angles		line		$X^{\circ} \pm 1^{\circ}$	scale MM INCH
dr		WENDY CHEN		042310	
enr		JASON HSU		042310	
chr		GARY HSIEH		042310	
appd		JOSEPH HSIA		042310	
sheet index	revision sheet				
				sheet 4 of 5 size	
				20020009	A4
				type	CUSTOMER Drawing

PRODUCT NUMBER	SERIES NAME	PITCH
20020009-HXXXXXLF	02-508	5.08 mm

N = Number of poles

Dim A	$N \times 5.08 [.200] + 0.5 [.020]$
Dim B	$(N-1) \times 5.08 [.200]$
Dim C	$N \times 5.08 [.200] + 9.66 [.380]$
Dim D	$(N+1) \times 5.08 [.200]$
Dim E	$N \times 5.08 [.200]$

Poles	Tolerance
2p-6p	$\pm 0.15 [.006]$
7p-12p	$\pm 0.20 [.008]$
13p-18p	$\pm 0.30 [.012]$
19p-24p	$\pm 0.40 [.016]$



mat'l. code		surface ASME Y14.5	tolerance ASME Y14.5	projection 	product family TERMINAL BLOCK	
ltr	ecn no	dr	date	title TERMINAL BLOCK PLUGGABLE PLUG, SIGNAL, ENTRYSIDE HOOK W/FLANGE		
g		angles	tolerances unless otherwise specified	MM INCH	sheet 5 of 5 size	
		$X \pm 1^\circ$	$X \pm 0.5 [.020]$ $X.X \pm 0.3 [.012]$ $X.XX \pm 0.1 [.004]$	scale	dwg no	
		dr	WENDY CHEN 042310		20020009	
		enr	JASON HSU 042310		A4	
		chr	GARY HSIEH 042310		type	CUSTOMER Drawing
		appd	JOSEPH HSIA 042310			
sheet index	revision sheet					

X-ON Electronics

Largest Supplier of Electrical and Electronic Components

Click to view similar products for [Pluggable Terminal Blocks](#) category:

Click to view products by [Amphenol](#) manufacturer:

Other Similar products are found below :

[57.510.0053](#) [MC 1.5/ 6-ST-3.5 GY AU](#) [734-104](#) [734-302](#) [8-141-P](#) [8426620000](#) [860505](#) [860810](#) [GBPACX-12](#) [93.731.4953.0](#) [PV05-5,08-K](#)
[PVP04-3,50](#) [PVS02-5,00](#) [1-1986160-3](#) [1377680000](#) [1531000000](#) [1546228-5](#) [ELFH16150](#) [ELFP03110](#) [ELFP10210](#) [ELFT06250](#)
[ELVP03100](#) [1700410](#) [1700425](#) [1702246](#) [1717806](#) [1719600](#) [1734692](#) [1734795](#) [1740291](#) [1752441](#) [1752865](#) [1754144](#) [1760051](#) [1760336](#)
[1777701](#) [1783410](#) [1800227](#) [1801080](#) [1836888](#) [1848818](#) [1849079](#) [1860870](#) [1876327](#) [1896417](#) [1903096](#) [19346](#) [1946309](#) [1970579](#) [1973592](#)