

PRODUCT NUMBER
20020011-XXXXXXLF

20020011 — □ □ □ □ □ 0 □ L F

PITCH
C: 3.50 mm
D: 3.81 mm
G: 5.00 mm
H: 5.08 mm

POLES
02: 2 POLES
03: 3 POLES
04: 4 POLES
:
:
:
24: 24 POLES

LF : NOTED RoHS COMPATIBLE

1 : STANDARD PRODUCT
W/ BOX PACKING

PROPERTY TABLE							
FCI SERIES NAME		02-350	02-381	02-500	02-508		
PITCH (mm)		3.50	3.81	5.00	5.08		
VOLTAGE RATING (VAC)		300	300	300	300		
CURRENT RATING (A)		cULus	8	8	12		
		VDE	10	10	NA		
APPLICABLE WIRE RANGE (AWG)		1-WIRE	16~28	16~28	12~24		
		2-WIRE	20	20	18		
WIRE CROSS SECTION (mm ²)		SOLID	1-WIRE	1.5	1.5	2.5	2.5
			2-WIRE	0.5	0.5	1.0	1.0
		STRANDED	1-WIRE	1.5	1.5	2.5	2.5
			2-WIRE	0.75	0.75	1.5	1.5
OPENING CONTACT HOUSING(mm ²)		2.8x1.7	2.8x1.7	2.6x3.3	2.6x3.3		
WIRE STRIP LENGTH(mm)		6~7	6~7	6~7	6~7		
TORQUE +/-10% (N-m/Lb-in)		0.19/1.7	0.19/1.7	0.4/3.5	0.4/3.5		
WITHSTANDING VOLTAGE (kV)		SCREW	M2x0.4	M2x0.4	M3x0.5	M3x0.5	
		cULus	1.6	1.6	1.6	1.6	
		VDE	2.5	2.5	NA	NA	
OPERATING TEMP. (°C)		-40~+115	-40~+115	-40~+115	-40~+115		
POLES AVAILABLE		02~24	02~24	02~24	02~24		
SAFETY CERTIFICATE							

SCREW CODE

CODE	SCREW TYPE	AVAILABILITY
A	-/+	ON REQUEST ONLY
B	-	STANDARD

ALL FLANGE SCREWS ARE ONLY AVAILABLE IN +/- COMBINATION SCREW TYPES.

HOUSING CODE

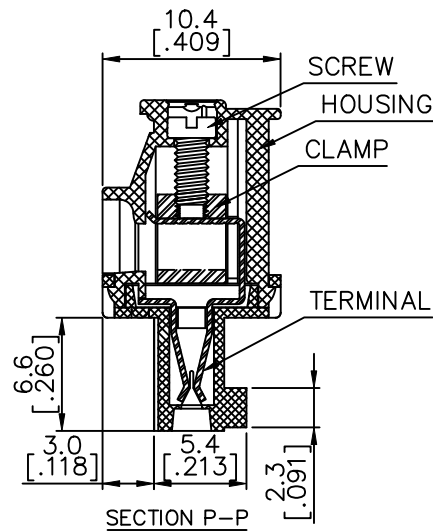
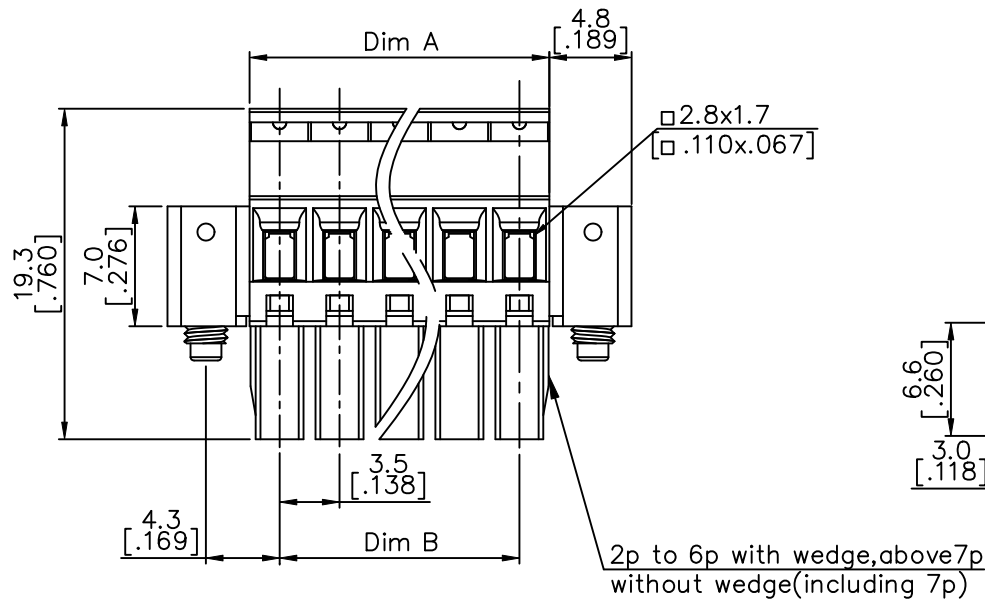
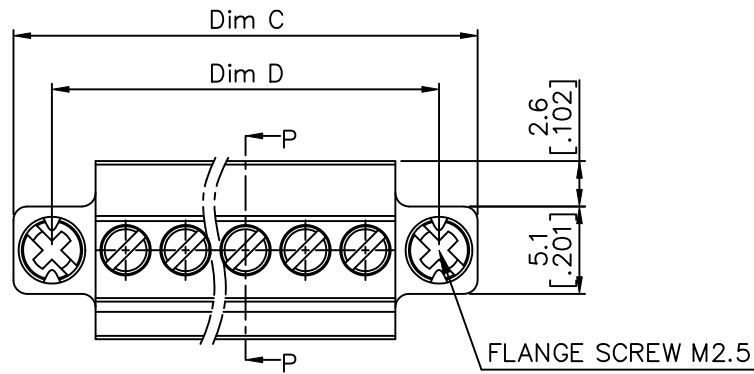
CODE	COLOR	AVAILABILITY
1	GREEN(RAL 6018/T)	STANDARD
2	BLACK	ON REQUEST ONLY
3	GREY(RAL 7004/P)	ON REQUEST ONLY
4	BLUE(RAL 5015/A)	ON REQUEST ONLY

NOTES:

- MATERIALS
1-1 HOUSING: THERMALPLASTIC RESIN, UL 94V-0 RATED.
1-2 SCREW: STEEL, ZINC PLATED.
1-3 CLAMP: COPPER ALLOY, NICKEL PLATED.
1-4 TERMINAL: COPPER ALLOY, TIN PLATED.
- PRODUCT SPECIFICATION REFER TO FCI GS-12-625.
- PRODUCT PACKING SPECIFICATION REFER TO FCI GS-14-1394.
- FCI, SAFETY CERTIFICATE LOGO AND SERIES NAME TO BE SHOWN ON PRODUCT SURFACE.
- THE PRODUCTS WHERE THE PART NUMBER END IN "LF" MEET THE EUROPEAN UNION DIRECTIVE AND OTHER COUNTRY REGULATIONS AS DESCRIBED IN GS-22-008.

mat'l. code		surface	tolerance	projection	product family
		ASME Y14.5	ASME Y14.5		TERMINAL BLOCK
ltr	ecn no	dr	date	tolerances unless otherwise specified	title
A	T10-0082	WL	080510	X.±0.5	TERMINAL BLOCK
B	T10-0140	WL	090310	X.X±0.3	PLUGGABLE PLUG, BACK SIDE HOOK, W/FLANGE
C	T10-0158	WL	100410	X'±1"	X.XX±0.1
D	T11-0013	WL	040811	dr	WENDY CHEN 051810
E	T-005908	WL	091311	enr	JASON HSU 051810
				chr	GARY HSIEH 051810
				appd	JOSEPH HSIA 051810
sheet index	revision	E	E	E	E
	sheet	1	2	3	4
					scale
					MM
					[INCH]
					type
					CUSTOMER Drawing
					dwg no
					20020011
					sheet 1 of 5
					size
					A4

PRODUCT NUMBER	SERIES NAME	PITCH
20020011-CXXXXXXLF	02-350	3.50 mm



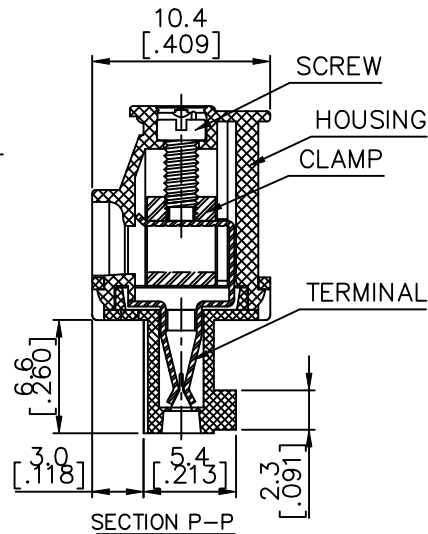
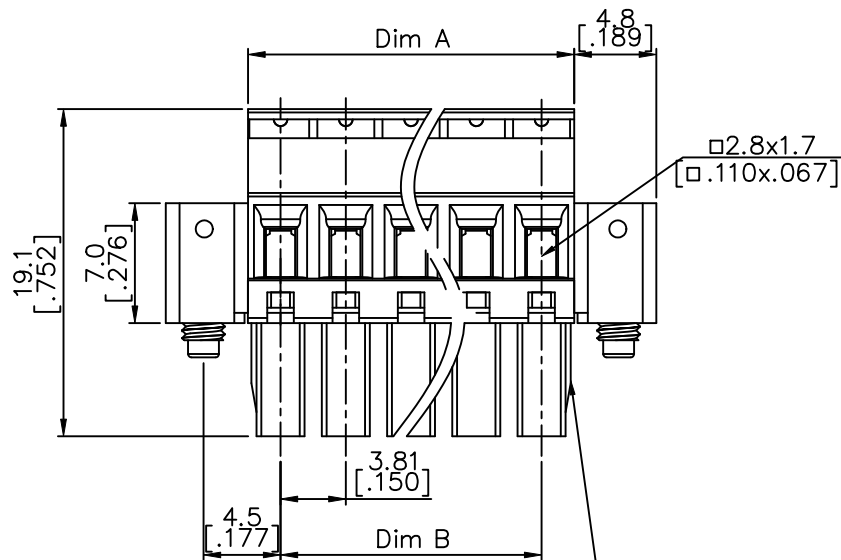
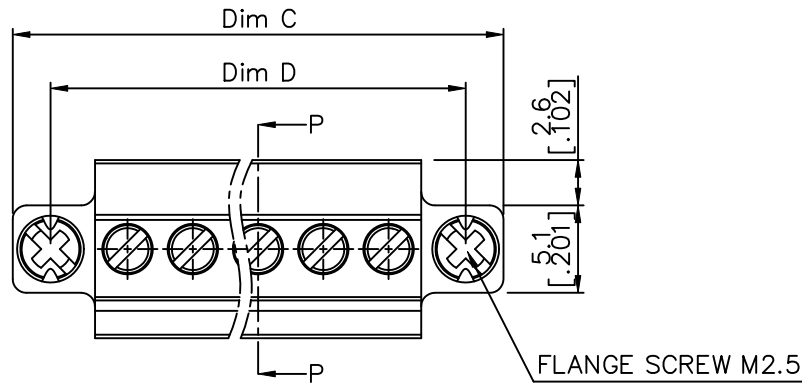
N = Number of poles

Dim A	NX3.5 [.138]
Dim B	(N-1)X3.5 [.138]
Dim C	NX3.5 [.138]+9.6 [.378]
Dim D	(N-1)X3.5 [.138]+8.6 [.339]

poles	Tolerance
2-4p	±0.10 [.004]
5-7p	±0.15 [.006]
8-12p	±0.20 [.008]
13-18p	±0.25 [.010]
19-24p	±0.30 [.012]

mat'l. code	surface ASME Y14.5 ✓	tolerance ASME Y14.5	projection	product family	TERMINAL BLOCK	
ltr	ecn no	dr	date	title		
E				TERMINAL BLOCK PLUGGABLE PLUG, BACK SIDE HOOK, W/FLANGE		
	angles	total		MM		
	X°±1'	line		[INCH]		
				scale		
	dr	WENDY CHEN	051810		sheet 2 of 5 size	
	enr	JASON HSU	051810		20020011	A4
	chr	GARY HSIEH	051810			
	appd	JOSEPH HSIA	051810		type	CUSTOMER Drawing
sheet index	revision sheet					

PRODUCT NUMBER	SERIES NAME	PITCH
20020011-DXXXXXXLF	02-381	3.81 mm



N = Number of poles

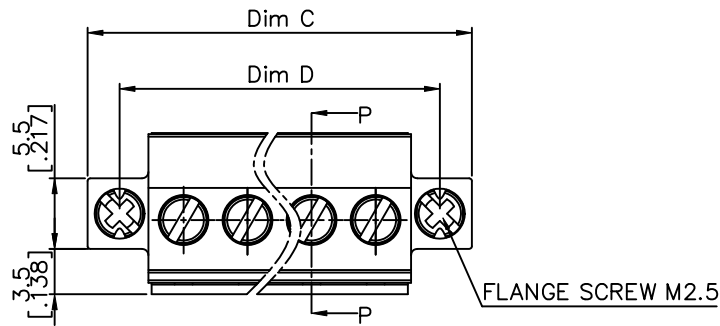
Dim A	$N \times 3.81 [.150]$
Dim B	$(N-1) \times 3.81 [.150]$
Dim C	$N \times 3.81 [.150] + 9.6 [.378]$
Dim D	$(N-1) \times 3.81 [.150] + 9.0 [.354]$

poles	Tolerance
2-6P	$\pm 0.15 [.006]$
7-12p	$\pm 0.20 [.008]$
13-17p	$\pm 0.25 [.010]$
18-24p	$\pm 0.30 [.012]$

2p to 6p with wedge, above 7p without wedge (including 7p)

mat'l. code	surface ASME Y14.5	tolerance ASME Y14.5	projection MM INCH	product family TERMINAL BLOCK
ltr	ecn no	dr	date	title TERMINAL BLOCK PLUGGABLE PLUG, BACK SIDE HOOK, W/FLANGE
E				dwg no 20020011
	angles	linear	scale	sheet 3 of 5 size A4
	X°±1'	X.XX±0.1		type CUSTOMER Drawing
	dr	WENDY CHEN	051810	
	enr	JASON HSU	051810	
	chr	GARY HSIEH	051810	
	appd	JOSEPH HSIA	051810	
sheet index	revision sheet			

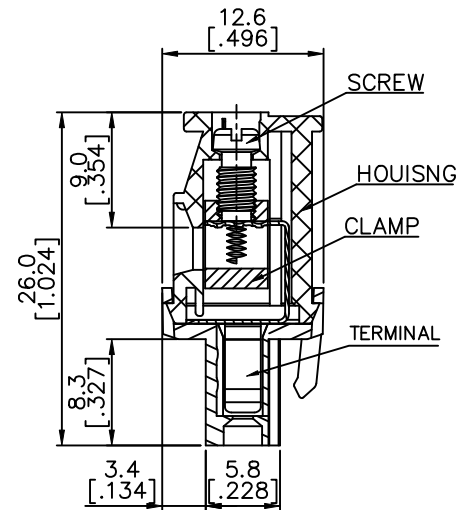
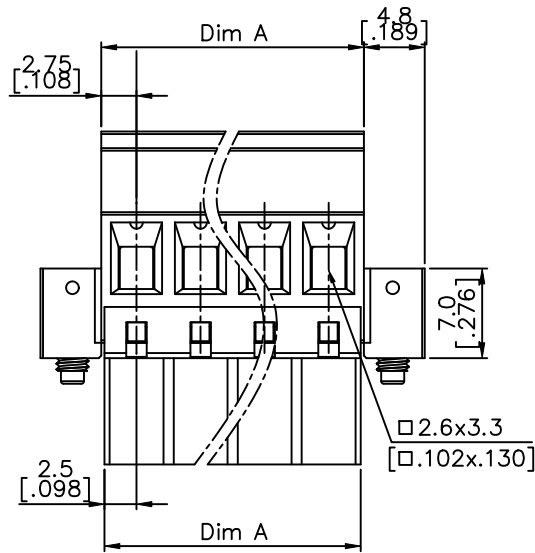
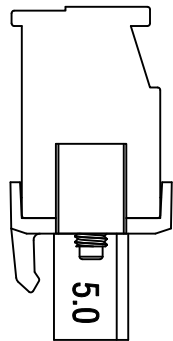
PRODUCT NUMBER	SERIES NAME	PITCH
20020011-GXXXXXXLF	02-500	5.00 mm



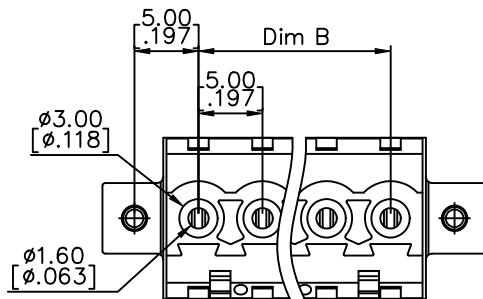
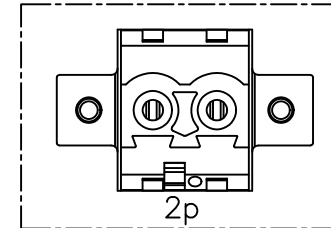
N = Number of poles

Dim A	$N \times 5.0 [.197] + 0.5 [.020]$
Dim B	$(N-1) \times 5.0 [.197]$
Dim C	$N \times 5.0 [.197] + 10.0 [.394]$
Dim D	$(N+1) \times 5.0 [.197]$

poles	Tolerance
2-6p	$\pm 0.15 [.006]$
7-12p	$\pm 0.20 [.008]$
13-18p	$\pm 0.30 [.012]$
19-24p	$\pm 0.40 [.016]$



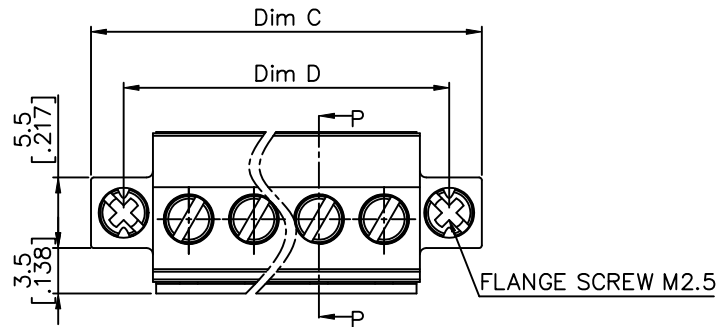
SECTION P-P



mat'l. code	surface ASME Y14.5	tolerance ASME Y14.5	projection 	product family TERMINAL BLOCK
ltr	ecn no	dr	date	title
E				TERMINAL BLOCK PLUGGABLE PLUG, BACK SIDE HOOK, W/FLANGE
	angles	metal	scale	MM [INCH]
	$X \pm 1$			
				sheet 4 of 5 size
	dr	WENDY CHEN	051810	
	enr	JASON HSU	051810	
	chr	GARY HSIEH	051810	
	appd	JOSEPH HSIA	051810	
sheet index	revision sheet			20020011 A4 CUSTOMER Drawing



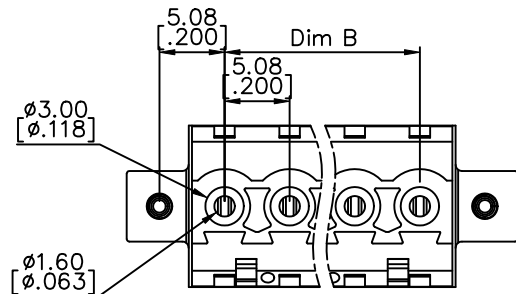
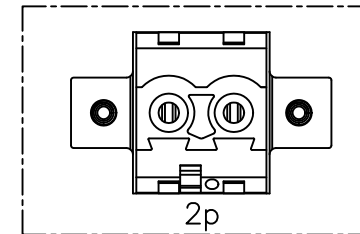
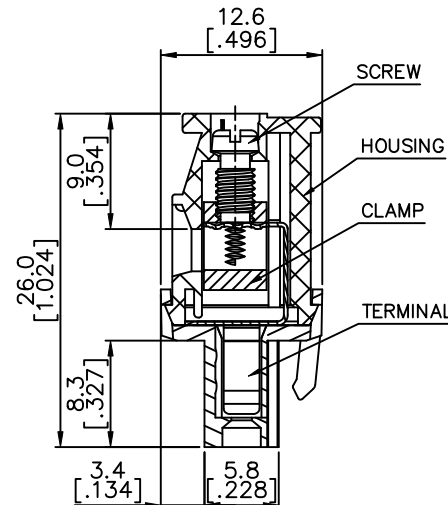
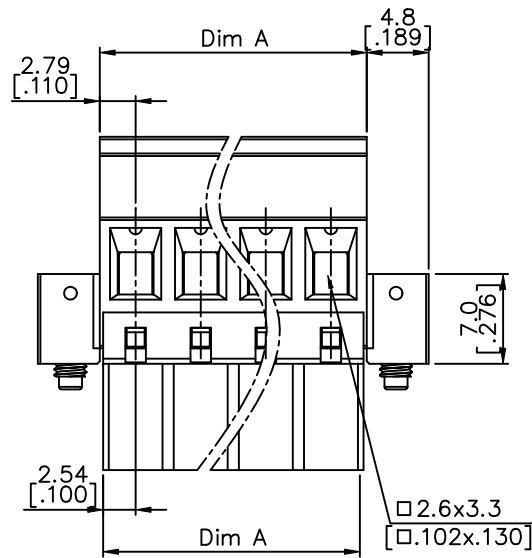
PRODUCT NUMBER	SERIES NAME	PITCH
20020011-HXXXXXLF	02-508	5.08 mm



N = Number of poles

Dim A	$N \times 5.08 [0.200] + 0.5 [0.020]$
Dim B	$(N-1) \times 5.08 [0.200]$
Dim C	$N \times 5.08 [0.200] + 9.66 [0.380]$
Dim D	$(N+1) \times 5.08 [0.200]$

poles	Tolerance
2-6p	$\pm 0.15 [0.006]$
7-12p	$\pm 0.20 [0.008]$
13-18p	$\pm 0.30 [0.012]$
19-24p	$\pm 0.40 [0.016]$



SECTION P-P

mat'l. code	surface ASME Y14.5	tolerance ASME Y14.5	projection 	product family TERMINAL BLOCK
ltr	ecn no	dr	date	title TERMINAL BLOCK PLUGGABLE PLUG, BACK SIDE HOOK, W/FLANGE
E				scale MM [INCH]
				sheet 5 of 5 size
		dr	WENDY CHEN 051810	dwg no 20020011
		enr	JASON HSU 051810	A4
		chr	GARY HSIEH 051810	type CUSTOMER Drawing
		appd	JOSEPH HSIA 051810	
sheet index	revision sheet			

X-ON Electronics

Largest Supplier of Electrical and Electronic Components

Click to view similar products for [Pluggable Terminal Blocks](#) category:

Click to view products by [Amphenol](#) manufacturer:

Other Similar products are found below :

[57.510.0053](#) [MC 1.5/ 6-ST-3.5 GY AU](#) [ET02015000J0G](#) [860505](#) [860516](#) [860810](#) [GBPACX-12](#) [93.731.4953.0](#) [PV05-5,08-K](#) [PVP03-3,50](#)
[PVS02-5,00](#) [1-1986160-3](#) [1377680000](#) [1531000000](#) [1546228-5](#) [ELFP03110](#) [ELFP10210](#) [ELFT07250](#) [ELVD12100](#) [ELVF09400](#)
[ELVP03100](#) [ELXH071G0E](#) [1700410](#) [1746952](#) [1760336](#) [1809474](#) [1855000000](#) [19346](#) [1946309](#) [1950227](#) [1973592](#) [19892](#) [21.310.1253.2](#)
[25.193.0303.0](#) [25.320.1353.1](#) [25.320.4053.1](#) [25.320.4553.9](#) [25.320.4753.1](#) [25.320.5453.1](#) [25.326.3453.1](#) [25.330.1353.1](#) [25.330.4853.1](#)
[25.330.5153.1](#) [25.330.5353.1](#) [25.340.0353.1](#) [25.340.1053.1](#) [25.345.3553.0M001](#) [25.600.4053.0](#) [25.640.3553.1](#) [SH02-5,08](#)