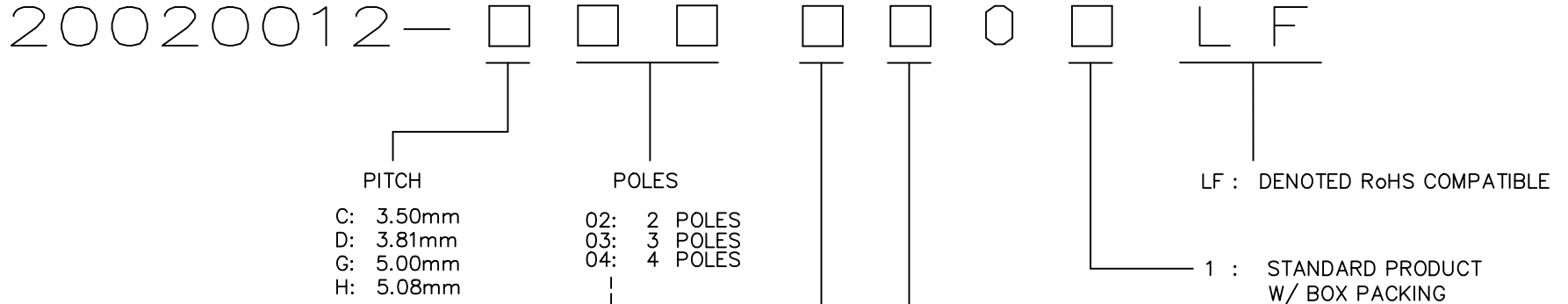


PRODUCT NUMBER  
20020012-XXXXXXLF



PROPERTY TABLE							
FCI SERIES NAME		03-350	03-381	03-500	03-508		
PITCH (mm)		3.50	3.81	5.00	5.08		
VOLTAGE RATING (VAC)		300	300	300	300		
CURRENT RATING (A)		10	10	10	10		
APPLICABLE WIRE RANGE (AWG)		1-WIRE 16~28	16~28	12~22	12~22		
WIRE CROSS SECTION (mm <sup>2</sup> )		SOLID	1-WIRE	1.5	1.5	2.5	2.5
			2-WIRE	0.5	0.5	1.0	1.0
		STRANDED	1-WIRE	1.5	1.5	2.5	2.5
			2-WIRE	0.75	0.75	1.5	1.5
OPENING CONTACT HOUSING(mm <sup>2</sup> )		1.8x2.4	1.8x2.4	2.6x2.8	2.6x2.8		
WIRE STRIP LENGTH(mm)		6~7	6~7	6~7	6~7		
TORQUE +/- 10% (N·m/Lb·in)		0.19/1.7	0.19/1.7	0.4/3.5	0.4/3.5		
SCREW		M2x0.4	M2x0.4	M2.5x0.4	M2.5x0.4		
WITHSTANDING VOLTAGE (kV)		1.6	1.6	1.6	1.6		
OPERATING TEMP. (°C)		-40~+115	-40~+115	-40~+115	-40~+115		
POLES AVAILABLE		02~24	02~24	02~24	02~24		
SAFETY CERTIFICATE							

**HOUSING CODE**

CODE	COLOR	AVAILABILITY
1	GREEN(RAL 6018/T)	STANDARD
2	BLACK	ON REQUEST ONLY
3	GREY(RAL 7004/P)	ON REQUEST ONLY
4	BLUE(RAL 5015/A)	ON REQUEST ONLY

**SCREW CODE**

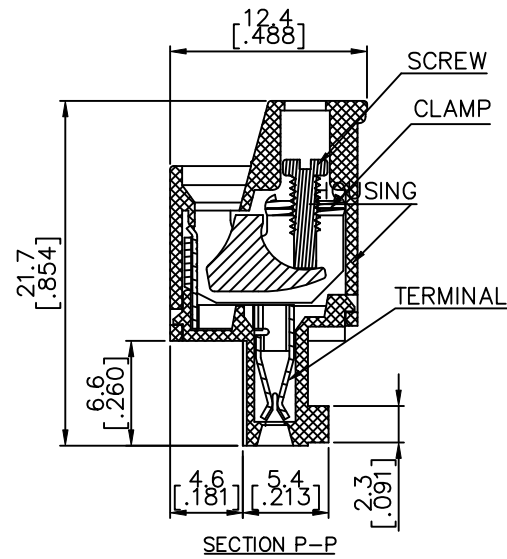
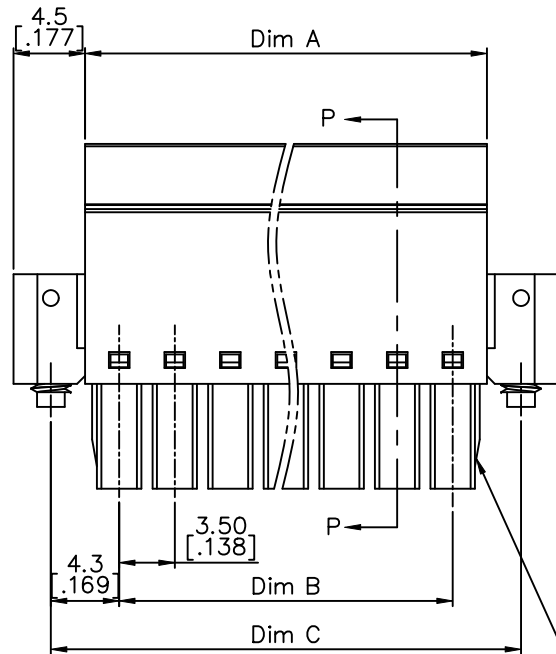
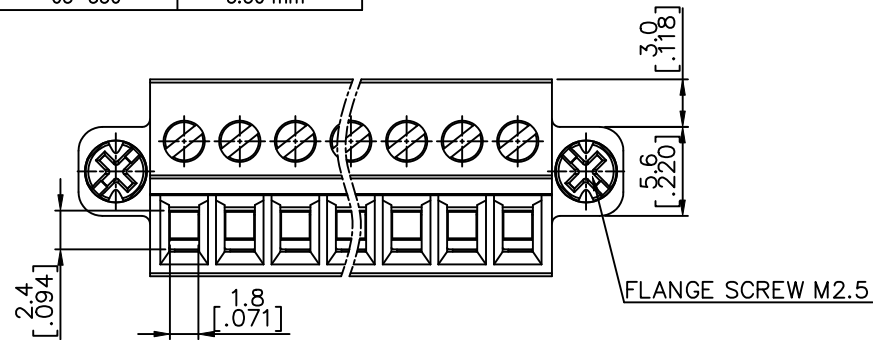
CODE	SCREW TYPE	AVAILABILITY
A	-/+	ON REQUEST ONLY
B	-	STANDARD

ALL FLANGE SCREWS ARE ONLY AVAILABLE IN +/- COMBINATION SCREW TYPES.

- NOTES:
- MATERIALS  
 1-1 HOUSING: THERMALPLASTIC RESIN, UL 94V-0 RATED.  
 1-2 SCREW: STEEL, ZINC PLATED.  
 1-3 CLAMP: COPPER ALLOY, NICKEL PLATED.  
 1-4 TERMINAL: COPPER ALLOY, TIN PLATED.
  - PRODUCT SPECIFICATION REFER TO FCI GS-12-625.
  - PRODUCT PACKING SPECIFICATION REFER TO FCI GS-14-1394.
  - FCI, SAFETY CERTIFICATE LOGO AND SERIES NAME TO BE SHOWN ON PRODUCT SURFACE.
  - THE PRODUCTS WHERE THE PART NUMBER END IN "LF" MEET THE EUROPEAN UNION DIRECTIVE AND OTHER COUNTRY REGULATIONS AS DESCRIBED IN GS-22-008.

mat'l. code		surface ASME Y14.5		tolerance ASME Y14.5		projection		product family	
		tolerances unless otherwise specified						TERMINAL BLOCK	
ltr		ecn no	dr	date		angles		title	
A	T10-0082	WL		080810		X.±0.5		TERMINAL BLOCK	
B	T10-0158	WL		100410		X.X±0.3		PLUGGABLE, PLUG, SIGNAL, W/FLANGE	
C	T10-0180	WL		111510		X'±1"		FRONT SCREW	
D	T10-0186	WL		120810		dr WENDY CHEN		051810	
E	T11-0008	WL		012611		enr JASON HSU		051810	
F	T-005908	WL		091311		chr GARY HSIEH		051810	
						appd JOSEPH HSIA		051810	
sheet index		revision sheet		F	F	F	F	FCI	
		1 2		3	4	5			type CUSTOMER Drawing

PRODUCT NUMBER	SERIES NAME	PITCH
20020012-CXXXXXLF	03-350	3.50 mm

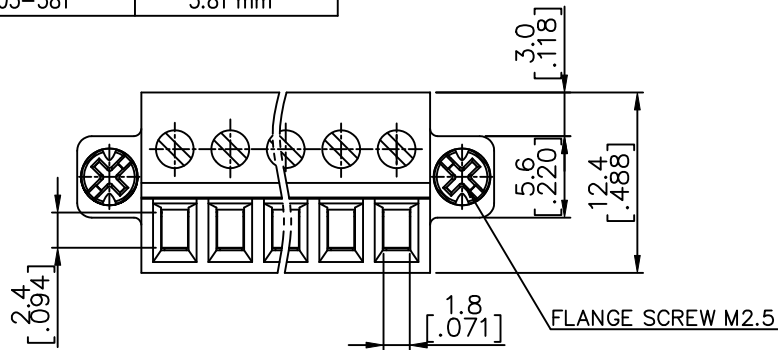


N = Number of poles  
 Dim A =  $N \times 3.5 [.138] + 0.80 [.031]$   
 Dim B =  $(N-1) \times 3.5 [.138]$   
 Dim C =  $(N-1) \times 3.5 [.138] + 8.6 [.339]$

Poles	Dim A	Dim B	Dim C
2-4p	$\pm 0.10 [.004]$	$\pm 0.15 [.006]$	
5-7p	$\pm 0.15 [.006]$	$\pm 0.20 [.008]$	
8-12p	$\pm 0.20 [.008]$	$\pm 0.25 [.010]$	
13-18p	$\pm 0.25 [.010]$	$\pm 0.30 [.012]$	
19-24p	$\pm 0.30 [.012]$	$\pm 0.40 [.016]$	

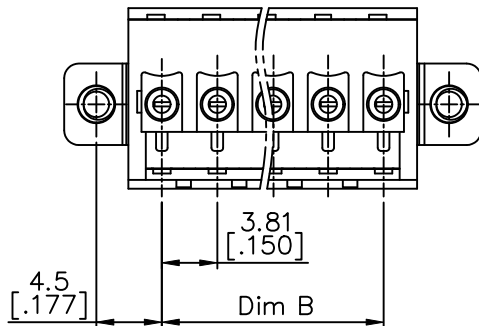
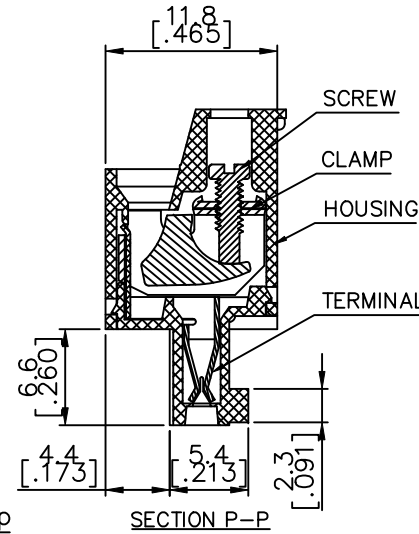
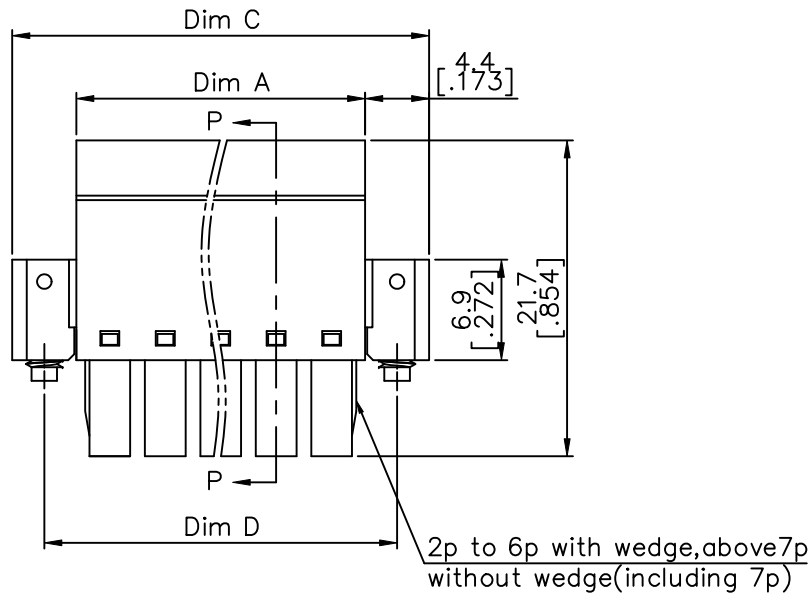
mat'l. code	surface ASME Y14.5	tolerance ASME Y14.5	projection	product family TERMINAL BLOCK
ltr	ecn no	dr	date	title
F				TERMINAL BLOCK PLUGGABLE, PLUG, SIGNAL, W/FLANGE FRONT SCREW
	angles	tolerance	scale	dwg no
	X°±1'	X.X±0.3	MM [INCH]	sheet 2 of 5 size
		X.XX±0.1		20020012
	dr	WENDY CHEN	051810	A4
	enr	JASON HSU	051810	
	chr	GARY HSIEH	051810	
	appd	JOSEPH HSIA	051810	
sheet index	revision sheet			type CUSTOMER Drawing

PRODUCT NUMBER	SERIES NAME	PITCH
20020012-DXXXXXLf	03-381	3.81 mm



N = Number of poles  
 Dim A =  $N \times 3.81 [.150] + 0.80 [.031]$   
 Dim B =  $(N-1) \times 3.81 [.150]$   
 Dim C =  $N \times 3.81 [.150] + 9.6 [.378]$   
 Dim D =  $(N-1) \times 3.81 [.150] + 9.0 [.354]$

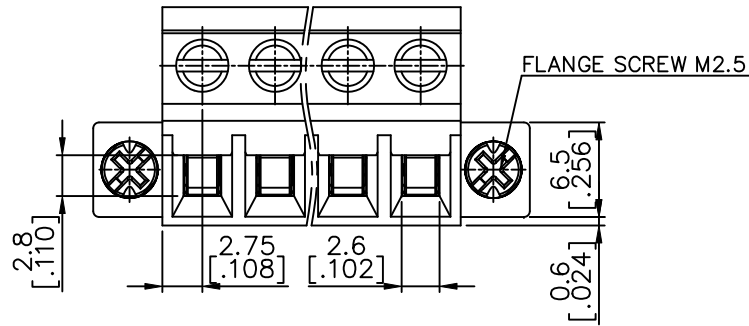
Poles	Tolerance
2-6p	±0.15 [.006]
7-11p	±0.20 [.008]
12-17p	±0.25 [.010]
18-24p	±0.30 [.012]



mat'l. code	surface ASME Y14.5 ✓	tolerance ASME Y14.5	projection [Symbol]	product family TERMINAL BLOCK
ltr	ecn no	dr	date	title
F				TERMINAL BLOCK PLUGGABLE, PLUG, SIGNAL, W/FLANGE FRONT SCREW
	angles X°±1'	linear X.X±0.1	MM [INCH]	scale
	dr	WENDY CHEN	051810	sheet 3 of 5 size
	enr	JASON HSU	051810	20020012
	chr	GARY HSIEH	051810	
	appd	JOSEPH HSIA	051810	
sheet index	revision sheet			type CUSTOMER Drawing

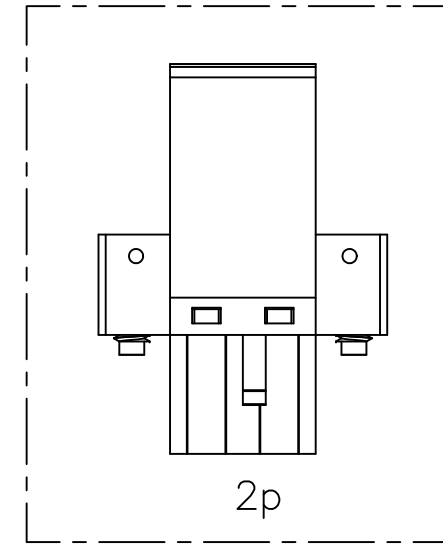
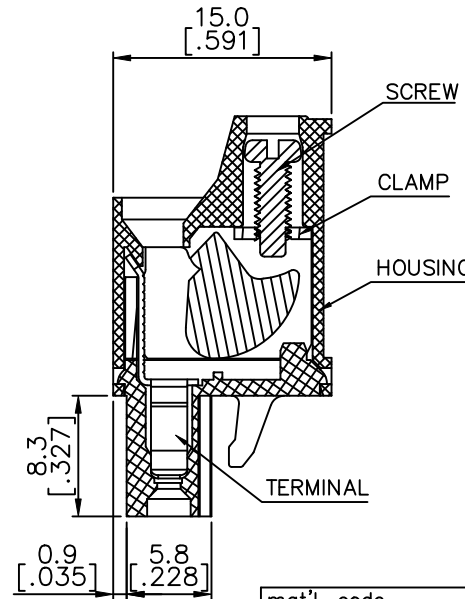
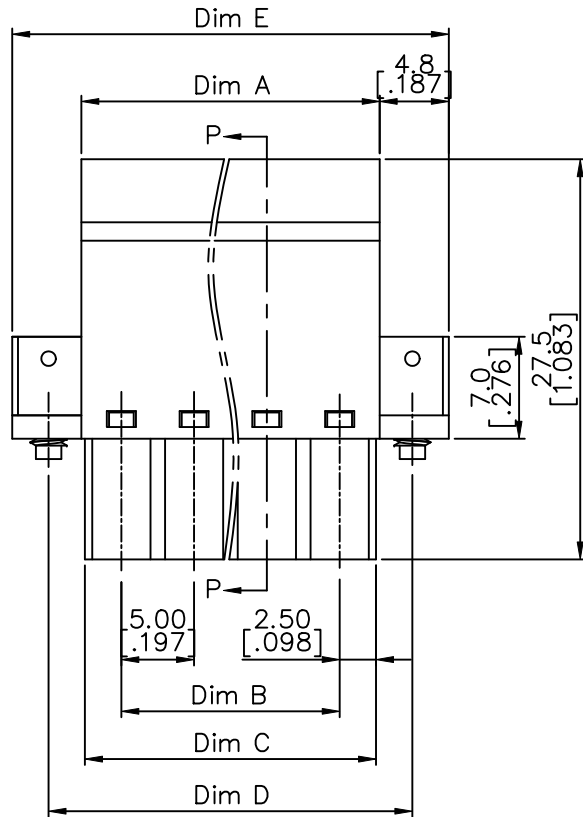


PRODUCT NUMBER	SERIES NAME	PITCH
20020012-GXXXXXL	03-500	5.00 mm



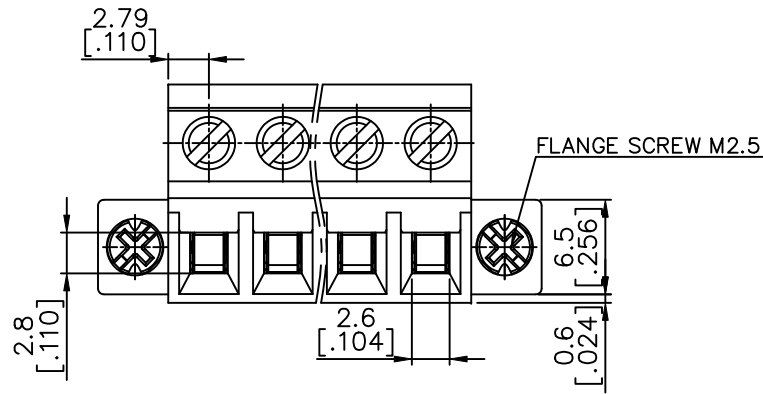
N = Number of poles  
 Dim A =  $N \times 5.0 [.197] + 0.5 [.020]$   
 Dim B =  $(N-1) \times 5.0 [.197]$   
 Dim C =  $N \times 5.0 [.197]$   
 Dim D =  $(N+1) \times 5.0 [.197]$   
 Dim E =  $(N+2) \times 5.0 [.197]$

Poles	Tolerance
2-7p	$\pm 0.15 [.006]$
8-12p	$\pm 0.25 [.010]$
13-18p	$\pm 0.30 [.012]$
19-24p	$\pm 0.40 [.016]$



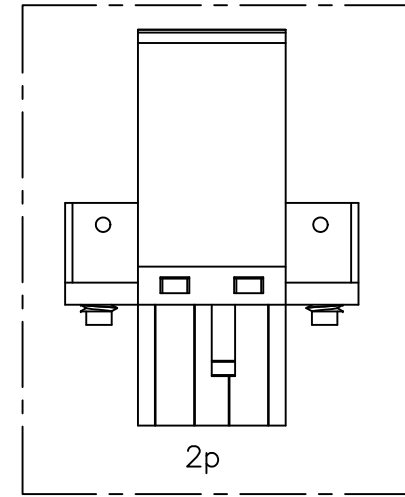
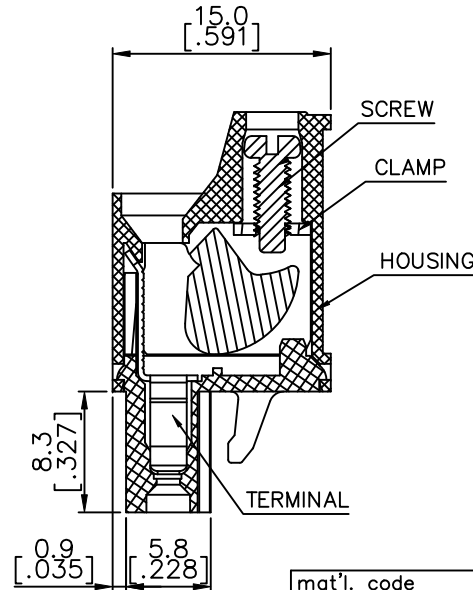
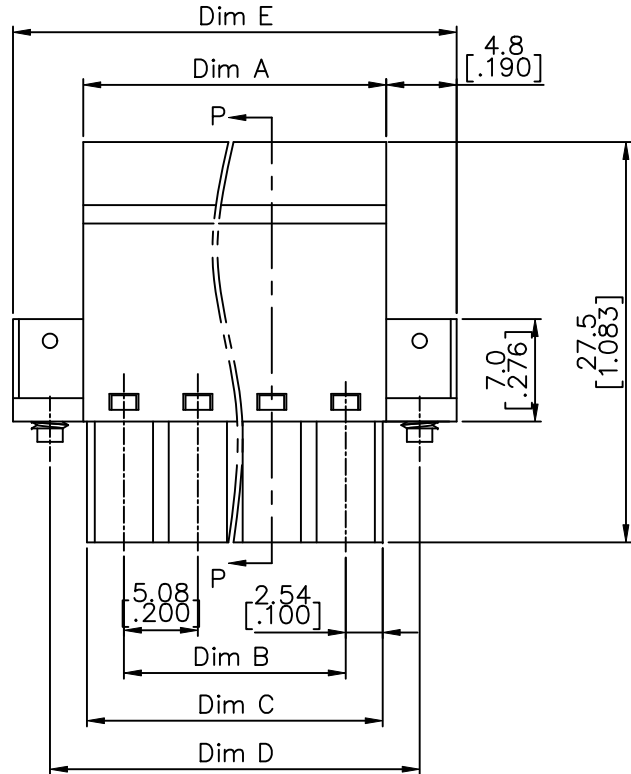
mat'l. code		surface ASME Y14.5	tolerance ASME Y14.5	projection	product family TERMINAL BLOCK
ltr	ecn no	dr	date	tolerances unless otherwise specified	title
F				angles X°±1'	TERMINAL BLOCK PLUGGABLE, PLUG, SIGNAL, W/FLANGE FRONT SCREW
				linear X.XX±0.1	MM [INCH]
				scale	sheet 4 of 5 size
		dr	WENDY CHEN	051810	20020012
		enr	JASON HSU	051810	A4
		chr	GARY HSIEH	051810	
		appd	JOSEPH HSIA	051810	
sheet index	revision sheet				type CUSTOMER Drawing

PRODUCT NUMBER	SERIES NAME	PITCH
20020012-HXXXXXL	03-508	5.08 mm



N = Number of poles  
 Dim A =  $N \times 5.08 [.200] + 0.50 [.020]$   
 Dim B =  $(N - 1) \times 5.08 [.200]$   
 Dim C =  $N \times 5.08 [.200]$   
 Dim D =  $(N + 1) \times 5.08 [.200]$   
 Dim E =  $(N + 2) \times 5.08 [.200]$

Poles	Tolerance
2-6p	$\pm 0.15 [.006]$
7-12p	$\pm 0.25 [.010]$
13-18p	$\pm 0.30 [.012]$
19-24p	$\pm 0.40 [.016]$



SECTION P-P

mat'l. code		surface ASME Y14.5	tolerance ASME Y14.5	projection 	product family TERMINAL BLOCK
ltr		ecn no dr date			title
F		tolerances unless otherwise specified			TERMINAL BLOCK PLUGGABLE, PLUG, SIGNAL, W/FLANGE FRONT SCREW
		angles X°±1'	linear X.X±0.3	MM [INCH]	sheet 5 of 5 size
		scale			FCJ
		dr	WENDY CHEN	051810	20020012
		enr	JASON HSU	051810	A4
		chr	GARY HSIEH	051810	
		appd	JOSEPH HSIA	051810	
sheet index	revision sheet				type CUSTOMER Drawing

## X-ON Electronics

Largest Supplier of Electrical and Electronic Components

*Click to view similar products for [Pluggable Terminal Blocks](#) category:*

*Click to view products by [Amphenol](#) manufacturer:*

Other Similar products are found below :

[57.510.0053](#) [MC 1.5/ 6-ST-3.5 GY AU](#) [734-104](#) [734-302](#) [8-141-P](#) [8426620000](#) [860505](#) [860810](#) [GBPACX-12](#) [93.731.4953.0](#) [PV05-5,08-K](#)  
[PVP04-3,50](#) [PVS02-5,00](#) [1-1986160-3](#) [1377680000](#) [1531000000](#) [1546228-5](#) [ELFH16150](#) [ELFP03110](#) [ELFP10210](#) [ELFT06250](#)  
[ELVP03100](#) [1700410](#) [1700425](#) [1702246](#) [1717806](#) [1719600](#) [1734692](#) [1734795](#) [1740291](#) [1752441](#) [1752865](#) [1754144](#) [1760051](#) [1760336](#)  
[1777701](#) [1783410](#) [1800227](#) [1801080](#) [1836888](#) [1848818](#) [1849079](#) [1860870](#) [1876327](#) [1896417](#) [1903096](#) [19346](#) [1946309](#) [1970579](#) [1973592](#)