

PRODUCT NUMBER
20020013-XXXXXXLF

20020013- □ □ □ □ □ 0 □ L F

PITCH
C: 3.50mm
D: 3.81mm
G: 5.00mm
H: 5.08mm

POLES
02: 2 POLES
03: 3 POLES
04: 4 POLES
24: 24 POLES

LF : DENOTED RoHS COMPATIBLE

1 : STANDARD PRODUCT
W/ BOX PACKING

PROPERTY TABLE					
FCI SERIES NAME		03-350	03-381	03-500	03-508
PITCH (mm)		3.50	3.81	5.00	5.08
VOLTAGE RATING (VAC)		300	300	300	300
CURRENT RATING (A)		10	10	10	10
APPLICABLE WIRE RANGE (AWG)		1-WIRE	16~28	16~28	12~22
		2-WIRE	20	20	18
WIRE CROSS SECTION (mm ²)		SOLID	1-WIRE	1.5	1.5
			2-WIRE	0.5	0.5
		STRANDED	1-WIRE	1.5	1.5
			2-WIRE	0.75	0.75
OPENING CONTACT HOUSING(mm ²)		1.8x2.4	1.8x2.4	2.6x2.8	2.6x2.8
WIRE STRIP LENGTH(mm)		6~7	6~7	6~7	6~7
TORQUE +/- 10% (N-m/Lb-in)		0.19/1.7	0.19/1.7	0.4/3.5	0.4/3.5
SCREW		M2x0.4	M2x0.4	M2.5x0.4	M2.5x0.4
WITHSTANDING VOLTAGE (kV)		1.6	1.6	1.6	1.6
OPERATING TEMP. (°C)		-40~+115	-40~+115	-40~+115	-40~+115
POLES AVAILABLE		02~24	02~24	02~24	02~24
SAFETY CERTIFICATE					

SCREW CODE

CODE	SCREW TYPE	AVAILABILITY
A	-/+	ON REQUEST ONLY
B	-	STANDARD

HOUSING CODE

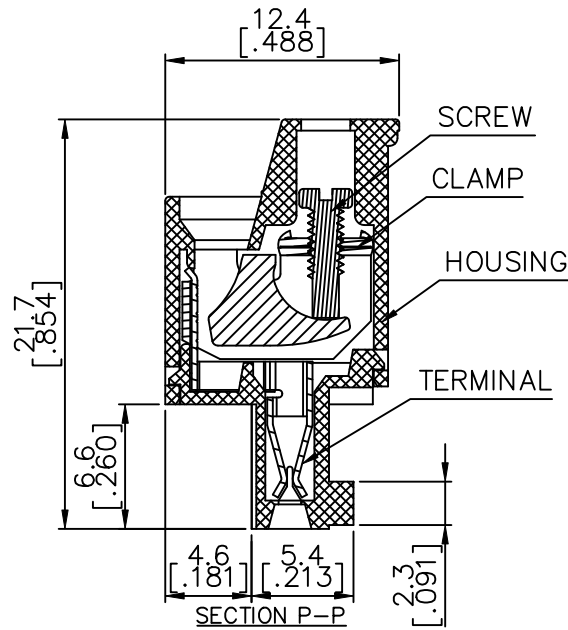
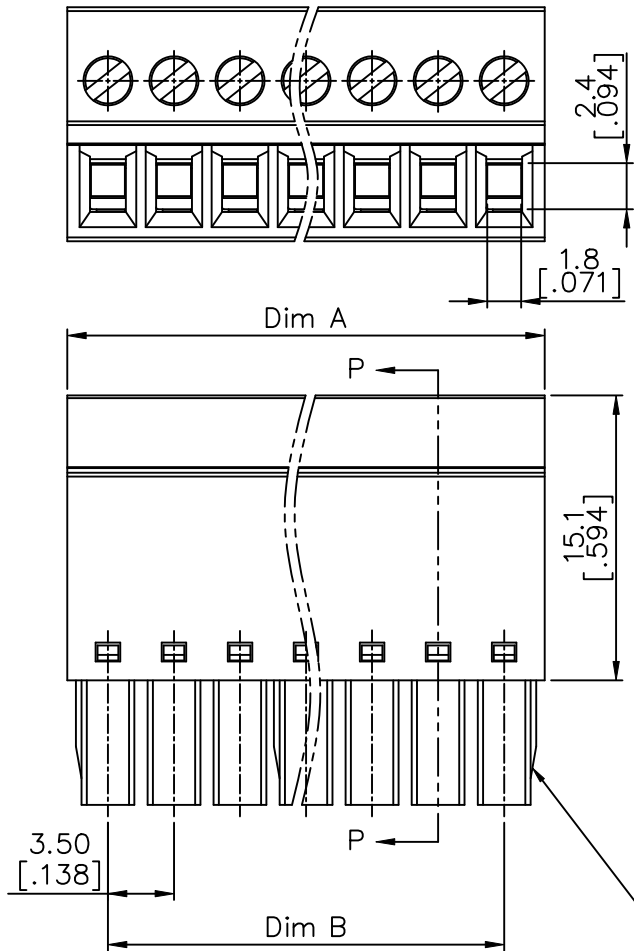
CODE	COLOR	AVAILABILITY
1	GREEN(RAL 6018/T)	STANDARD
2	BLACK	ON REQUEST ONLY
3	GREY(RAL 7004/P)	ON REQUEST ONLY
4	BLUE(RAL 5015/A)	ON REQUEST ONLY

NOTES:

- MATERIALS
1-1 HOUSING: THERMALPLASTIC RESIN, UL 94V-0 RATED.
1-2 SCREW: STEEL, ZINC PLATED.
1-3 CLAMP: COPPER ALLOY, NICKEL PLATED.
1-4 TERMINAL: COPPER ALLOY, TIN PLATED.
- PRODUCT SPECIFICATION REFER TO FCI GS-12-625.
- PRODUCT PACKING SPECIFICATION REFER TO FCI GS-14-1394.
- FCI, SAFETY CERTIFICATE LOGO AND SERIES NAME TO BE SHOWN ON PRODUCT SURFACE.
- THE PRODUCTS WHERE THE PART NUMBER END IN "LF" MEET THE EUROPEAN UNION DIRECTIVE AND OTHER COUNTRY REGULATIONS AS DESCRIBED IN GS-22-008.

mat'l. code		surface	tolerance	projection	product family
		ASME Y14.5	ASME Y14.5		TERMINAL BLOCK
ltr	ecn no	dr	date	title	
A	T10-0082	WL	080510	TERMINAL BLOCK	
B	T10-0158	WL	100410	PLUGGABLE, PLUG, SIGNAL, W/O FLANGE	
C	T10-0180	WL	111510	FRONT SCREW	
D	T-005908	WL	091311	scale	sheet 1 of 5 size
					20020013
					A4
					type
					CUSTOMER Drawing
sheet index	revision	D	D	D	D
	sheet	1	2	3	4

PRODUCT NUMBER	SERIES NAME	PITCH
20020013-CXXXXXXLF	03-350	3.50 mm



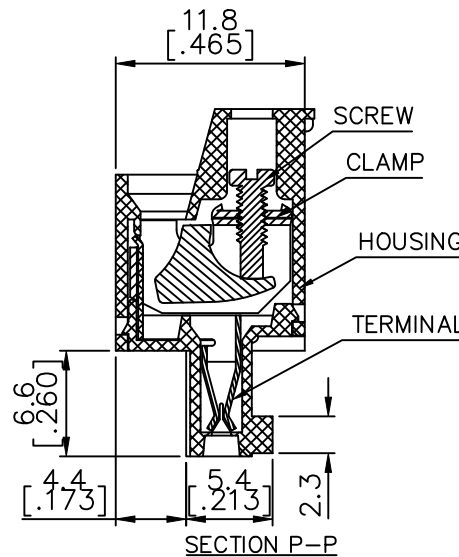
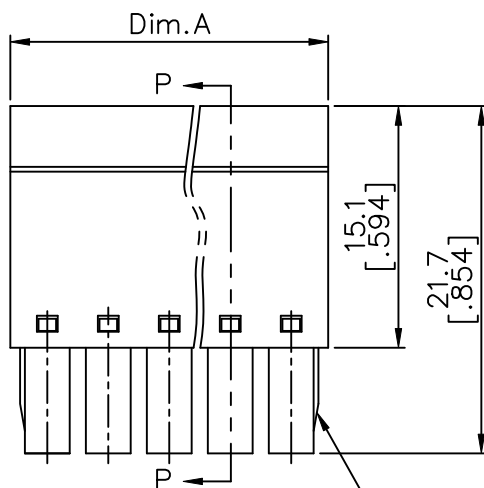
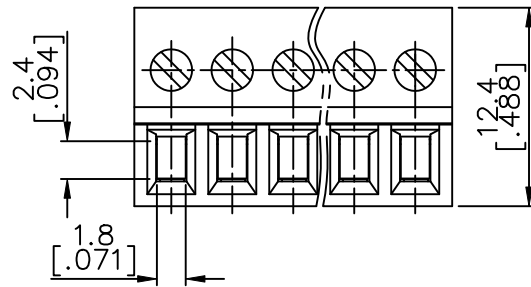
N = Number of poles
 Dim A = $N \times 3.5 [0.138] + 0.80 [0.031]$
 Dim B = $(N - 1) \times 3.5 [0.138]$

Poles	Tolerance
2-4p	$\pm 0.10 [0.004]$
5-7p	$\pm 0.15 [0.006]$
8-12p	$\pm 0.20 [0.008]$
13-18p	$\pm 0.25 [0.010]$
19-24p	$\pm 0.30 [0.012]$

2p to 6p with wedge, above 7p without wedge (including 7p)

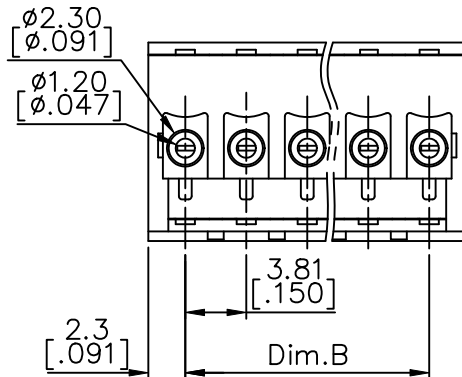
mat'l. code	surface ASME Y14.5	tolerance ASME Y14.5	projection 	product family TERMINAL BLOCK
ltr	ecn no	dr	date	title
D				TERMINAL BLOCK PLUGGABLE, PLUG, SIGNAL, W/O FLANGE FRONT SCREW
	angles	metal	X.±0.5	MM
		inlet	X.X±0.3	[INCH]
	X°±1'		X.XX±0.1	scale
	dr	WENDY CHEN	051810	
	enr	JASON HSU	051810	
	chr	GARY HSIEH	051810	
	appd	JOSEPH HSIA	051810	
sheet index	revision sheet			dwg no 20020013
				sheet 2 of 5 size A4
				type CUSTOMER Drawing

PRODUCT NUMBER	SERIES NAME	PITCH
20020013-DXXXXXL	03-381	3.81 mm



N = Number of poles
 Dim A = $N \times 3.81 [.150] + 0.80 [.031]$
 Dim B = $(N-1) \times 3.81 [.150]$

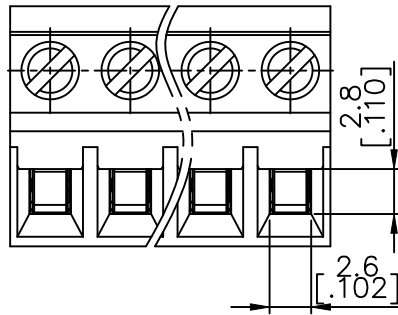
Poles	Tolerance
2-6p	$\pm 0.15 [.006]$
7-12p	$\pm 0.20 [.008]$
13-17p	$\pm 0.25 [.010]$
18-24p	$\pm 0.30 [.012]$



2p to 6p with wedge, above 7p
 without wedge (including 7p)

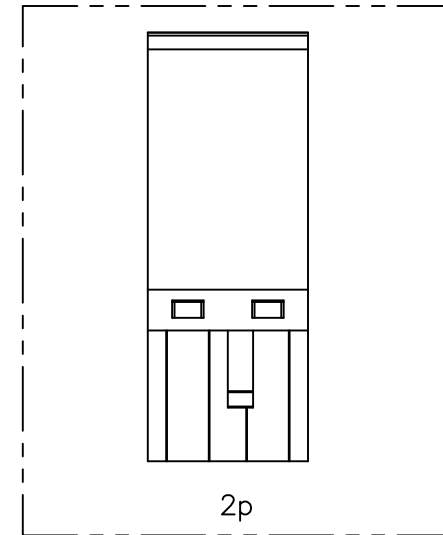
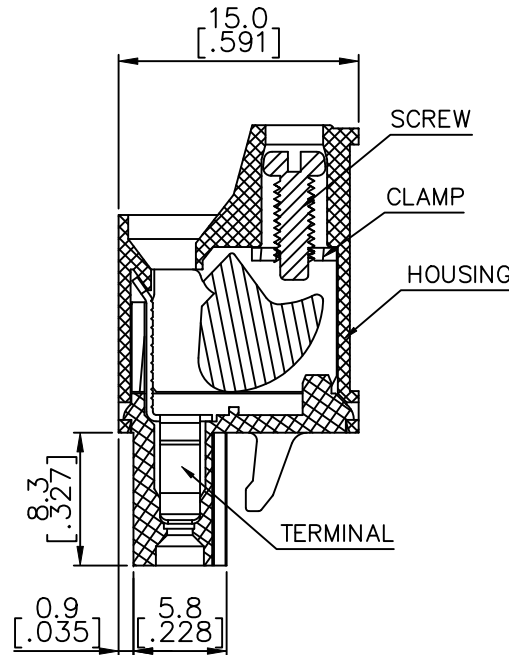
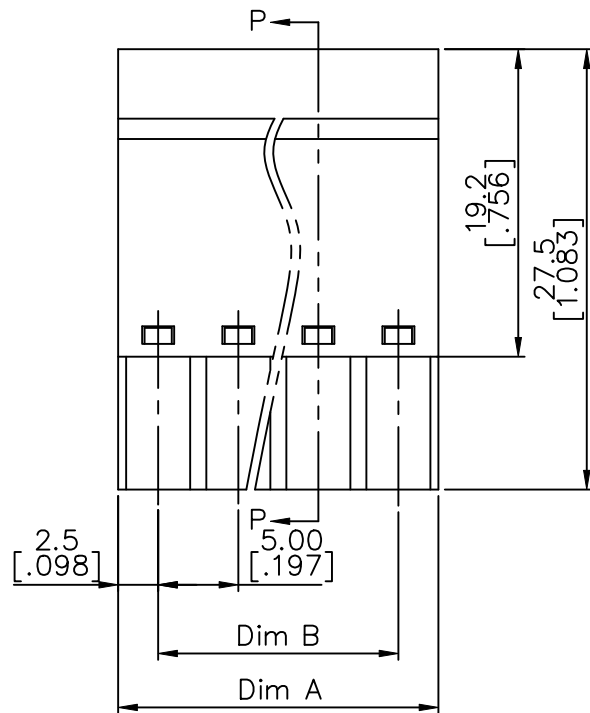
mat'l. code		surface ASME Y14.5	tolerance ASME Y14.5	projection MM INCH	product family TERMINAL BLOCK
ltr	ecn no	dr	date	title TERMINAL BLOCK PLUGGABLE, PLUG, SIGNAL, W/O FLANGE FRONT SCREW	
D				scale	sheet 3 of 5 size
					20020013 A4
		dr	WENDY CHEN 051810		type CUSTOMER Drawing
		enr	JASON HSU 051810		
		chr	GARY HSIEH 051810		
		appd	JOSEPH HSIA 051810		
sheet index	revision sheet				

PRODUCT NUMBER	SERIES NAME	PITCH
20020013-GXXXXXXLF	03-500	5.00 mm



N = Number of poles
 Dim A = $N \times 5.0$ [.197]
 Dim B = $(N-1) \times 5.0$ [.197]

Poles	Tolerance
2-7p	± 0.15 [.006]
8-12p	± 0.25 [.010]
13-18p	± 0.30 [.012]
19-24p	± 0.40 [.016]

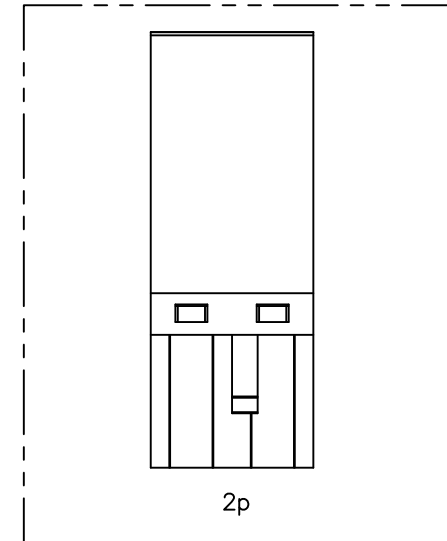
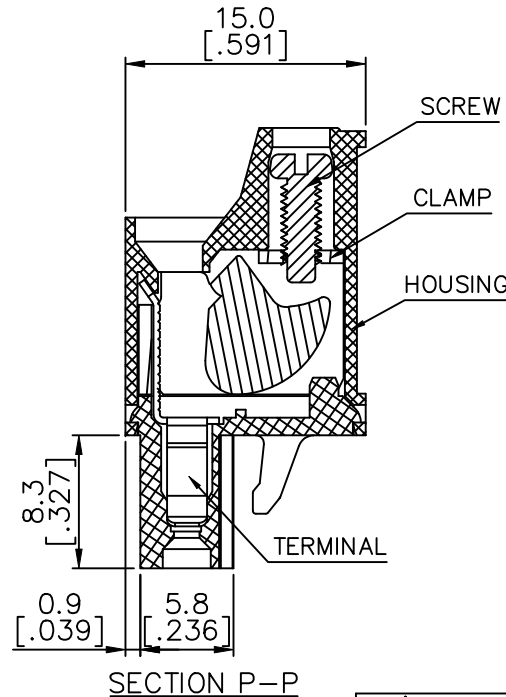
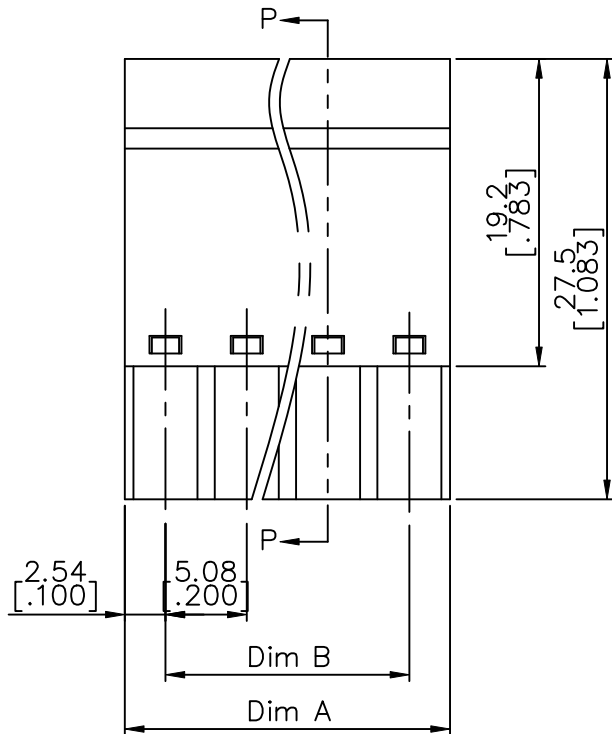
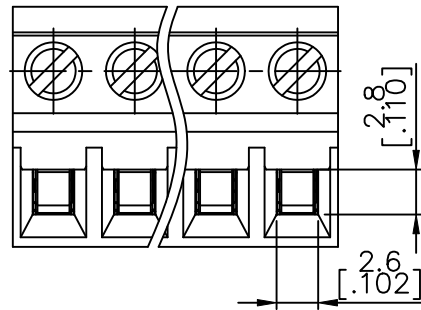


mat'l. code		surface ASME Y14.5	tolerance ASME Y14.5	projection 	product family TERMINAL BLOCK
ltr	ecn no	dr	date	tolerances unless otherwise specified	title
D				angles metal X \pm 1°	TERMINAL BLOCK PLUGGABLE, PLUG, SIGNAL, W/O FLANGE FRONT SCREW
				scale MM [INCH]	dwg no 20020013
		dr	WENDY CHEN	051810	sheet 4 of 5 size A4
		enr	JASON HSU	051810	type CUSTOMER Drawing
		chr	GARY HSIEH	051810	
		appd	JOSEPH HSIA	051810	
sheet index	revision sheet				

PRODUCT NUMBER	SERIES NAME	PITCH
20020013-HXXXXXXLF	03-508	5.08 mm

N = Number of poles
 Dim A = $N \times 5.08$ [.200]
 Dim B = $(N-1) \times 5.08$ [.200]

Poles	Tolerance
2-6p	± 0.15 [.006]
7-12p	± 0.25 [.010]
13-18p	± 0.30 [.012]
19-24p	± 0.40 [.016]



mat'l. code		surface ASME Y14.5 ✓	tolerance ASME Y14.5	projection [Symbol]	product family TERMINAL BLOCK
ltr	ecn no	dr	date	title TERMINAL BLOCK PLUGGABLE, PLUG, SIGNAL, W/O FLANGE FRONT SCREW	
D				MM [INCH]	sheet 5 of 5 size
				scale	20020013 A4
		dr	WENDY CHEN	051810	type CUSTOMER Drawing
		enr	JASON HSU	051810	
		chr	GARY HSIEH	051810	
		appd	JOSEPH HSIA	051810	
sheet index	revision sheet				

X-ON Electronics

Largest Supplier of Electrical and Electronic Components

Click to view similar products for [Pluggable Terminal Blocks](#) category:

Click to view products by [Amphenol](#) manufacturer:

Other Similar products are found below :

[57.510.0053](#) [MC 1.5/ 6-ST-3.5 GY AU](#) [734-104](#) [734-302](#) [8-141-P](#) [8426620000](#) [860505](#) [860810](#) [GBPACX-12](#) [93.731.4953.0](#) [PV05-5,08-K](#)
[PVP04-3,50](#) [PVS02-5,00](#) [1-1986160-3](#) [1377680000](#) [1531000000](#) [1546228-5](#) [ELFH16150](#) [ELFP03110](#) [ELFP10210](#) [ELFT06250](#)
[ELVP03100](#) [1700410](#) [1700425](#) [1702246](#) [1717806](#) [1719600](#) [1734692](#) [1734795](#) [1740291](#) [1752441](#) [1752865](#) [1754144](#) [1760051](#) [1760336](#)
[1777701](#) [1783410](#) [1800227](#) [1801080](#) [1836888](#) [1848818](#) [1849079](#) [1860870](#) [1876327](#) [1896417](#) [1903096](#) [19346](#) [1946309](#) [1970579](#) [1973592](#)