



PRODUCT NUMBER  
20020106-XXXXXXLF

20020106 — □ □ □ □ A 0 □ L F

PITCH

G: 5.00 mm  
H: 5.08 mm

POLES

02: 2 POLES  
03: 3 POLES  
04: 4 POLES  
24: 24 POLES

LF : DENOTED RoHS COMPATIBLE

1 : STANDARD PRODUCT  
W/ BOX PACKING

HOUSING CODE

PROPERTY TABLE		
FCI SERIES NAME	06-500	06-508
PITCH (mm)	5.00	5.08
VOLTAGE RATING (VAC)	300	300
CURRENT RATING (A)	12	12
WITHSTANDING VOLTAGE (kV)	1.6	1.6
OPERATING TEMP. (°C)	-40~+115	-40~+115
SOLDERING TEMP. (°C)	250±10 (5 sec.)	250±10 (5 sec.)
POLES AVAILABLE	02~24	02~24
SAFETY CERTIFICATE		

CODE	COLOR	AVAILABILITY
1	GREEN(RAL 6018/T)	STANDARD
2	BLACK	ON REQUEST ONLY
3	GREY(RAL 7004/P)	ON REQUEST ONLY
4	BLUE(RAL 5015/A)	ON REQUEST ONLY

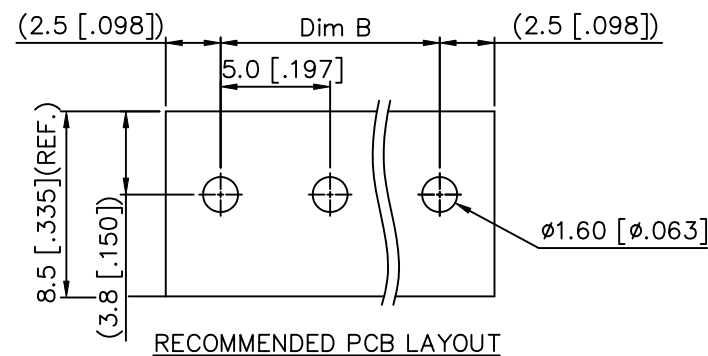
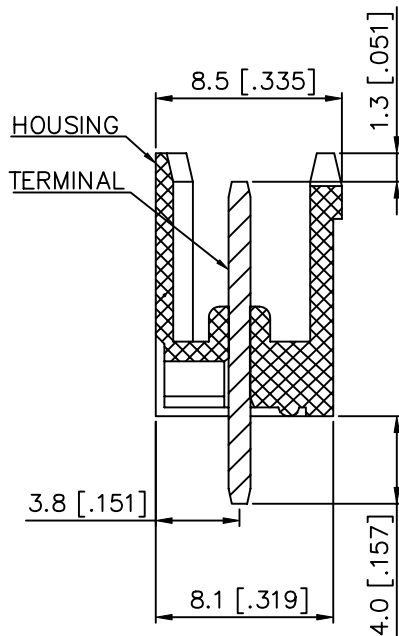
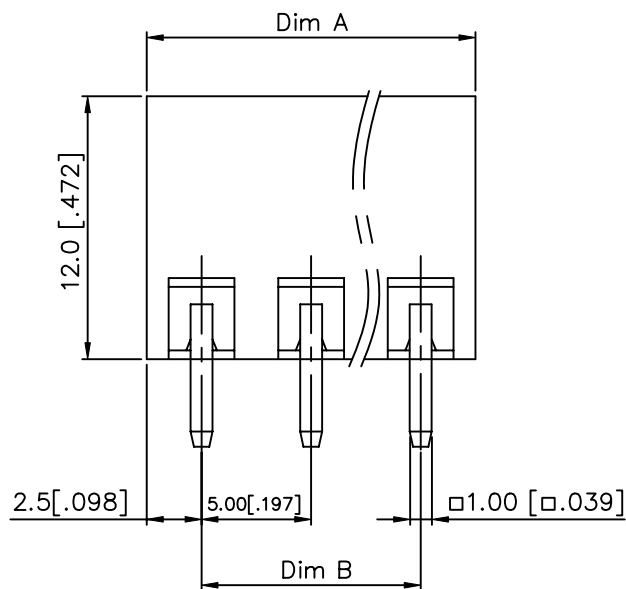
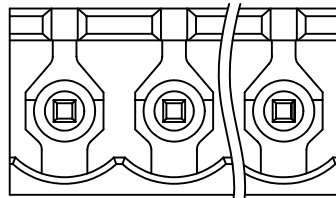
NOTES:

- MATERIALS  
1-1 HOUSING: THERMALPLASTIC RESIN, UL 94V-0 RATED,  
1-2 TERMINAL: COPPER ALLOY, TIN PLATED.
- PRODUCT SPECIFICATION REFER TO FCI GS-12-625.
- PRODUCT PACKING SPECIFICATION REFER TO FCI GS-14-1394.
- FCI, SAFETY CERTIFICATE LOGO AND SERIES NAME TO BE SHOWN ON PRODUCT SURFACE.
- THE PRODUCTS WHERE THE PART NUMBER END IN "LF" MEET THE EUROPEAN UNION DIRECTIVE AND OTHER COUNTRY REGULATIONS AS DESCRIBED IN GS-22-008.
- RECOMENDED SOLDERING PROCESS BY WAVE SOLDER.

mat'l. code				surface ASME Y14.5		tolerance ASME Y14.5		projection 		product family TERMINAL BLOCK			
litr				ecn no		dr		date		title			
A				T10-0099		WL		070110		TERMINAL BLOCK PLUGGABLE SIGNAL, SOCKET, STRAIGHT 2 WALLS			
B				T10-0161		WL		101210		2 WALLS			
				angles		tolerance		scale		sheet 1 of 3 size			
				X±1°		X.X±0.1		MM [INCH]		dwg no			
										20020106 A4			
				dr		WENDY CHEN		062210		type			
				enr		JASON HSU		062210		CUSTOMER Drawing			
				chr		GARY HSIEH		062210					
				appd		JOSEPH HSIA		062210					
sheet index		revision sheet		B		B		B					
		1		2		3							



PRODUCT NUMBER	SERIES NAME	PITCH
20020106-GXXXXXXLF	06-500	5.00 mm

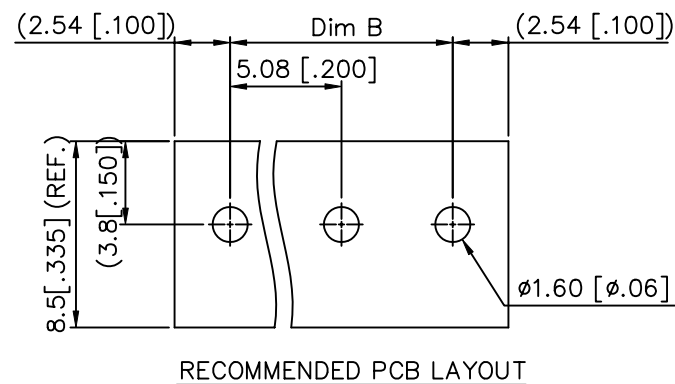
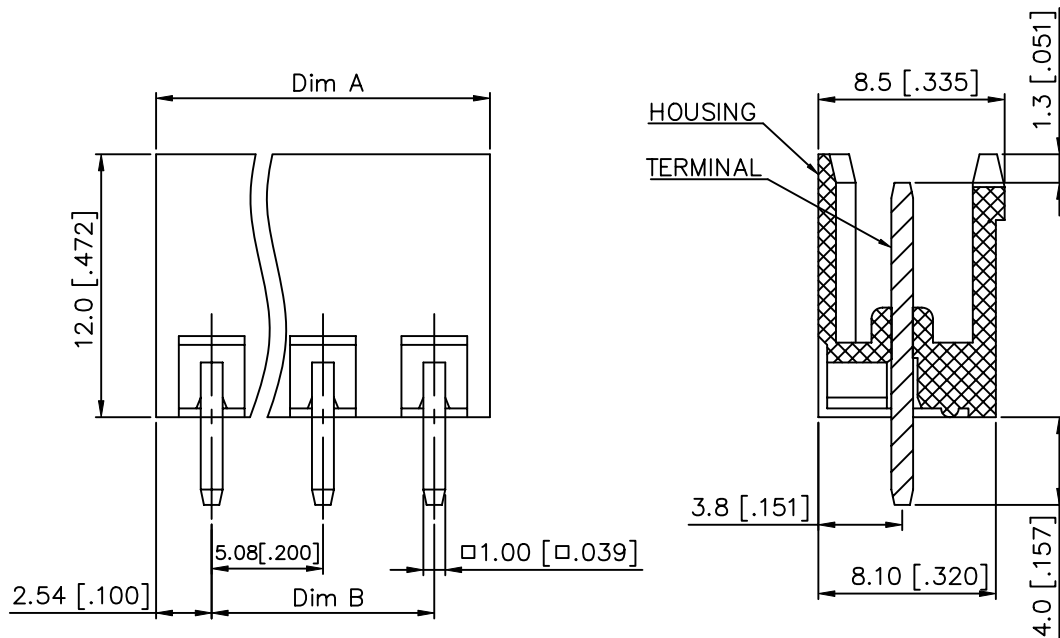
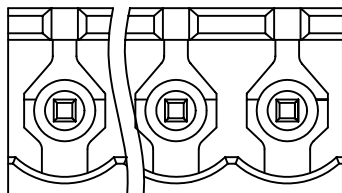


POLE		2	3	4	5	6	7	8	
DIM.A		10.0[.394]	15.0[.590]	20.0[.787]	25.0[.984]	30.0[1.181]	35.0[1.377]	40.0[1.574]	
DIM.B		5.0[.196]	10.0[.394]	15.0[.590]	20.0[.787]	25.0[0.984]	30.0[1.181]	35.0[1.377]	
Tol.		±0.15[.006]						±0.25[.010]	
POLE	9	10	11	12	13	14	15	16	
DIM.A	45.0[1.771]	50.0[1.968]	55.0[2.165]	60.0[2.362]	65.0[2.559]	70.0[2.755]	75.0[2.952]	80.0[3.149]	
DIM.B	40.0[1.574]	45.0[1.771]	50.0[1.968]	55.0[2.165]	60.0[2.362]	65.0[2.559]	70.0[2.755]	75.0[2.952]	
Tol.	±0.25[.010]				±0.30[.012]				
POLE	17	18	19	20	21	22	23	24	
DIM.A	85.0[3.346]	90.0[3.543]	95.0[3.74"]	100.0[3.937]	105.0[4.133]	110.0[4.330]	115.0[4.527]	120.0[4.724]	
DIM.B	80.0[3.149]	85.0[3.346]	90.0[3.543]	95.0[3.74]	100.0[3.937]	105.0[4.133]	110.0[4.330]	115.0[4.527]	
Tol.	±0.30[.012]			±0.40[.016]					

mat'l. code	surface ASME Y14.5	tolerance ASME Y14.5	projection 	product family TERMINAL BLOCK
ltr	ecn no	dr	date	title
B				TERMINAL BLOCK PLUGGABLE SIGNAL, SOCKET, STRAIGHT 2 WALLS
				sheet 2 of 3 size
				20020106 A4
				type CUSTOMER Drawing
sheet index	revision	sheet		



PRODUCT NUMBER	SERIES NAME	PITCH
20020106-HXXXXXLF	06-508	5.08 mm



POLE		2	3	4	5	6	7	8
DIM.A		10.16[.400]	15.24[.600]	20.32[.800]	25.4[1.000]	30.48[1.200]	35.56[1.400]	40.64[1.600]
DIM.B		5.08[.200]	10.16[.400]	15.24[.600]	20.32[.800]	25.4[1.000]	30.48[1.200]	35.56[1.400]
Tol.		±0.15[.006]						±0.25[.010]
POLE	9	10	11	12	13	14	15	16
DIM.A	45.72[1.800]	50.8[2.000]	55.88[2.200]	60.96[2.400]	66.04[2.600]	71.12[2.800]	76.2[3.000]	81.28[3.200]
DIM.B	40.64[1.600]	45.72[1.800]	50.8[2.000]	55.88[2.200]	60.96[2.400]	66.04[2.600]	71.12[2.800]	76.2[3.000]
Tol.	±0.25[.010]				±0.30[.012]			
POLE	17	18	19	20	21	22	23	24
DIM.A	86.36[3.400]	91.44[3.600]	96.52[3.800]	101.6[4.000]	106.68[4.200]	111.76[4.400]	116.84[4.600]	121.92[4.800]
DIM.B	81.28[3.200]	86.36[3.400]	91.44[3.600]	96.52[3.800]	101.6[4.000]	106.68[4.200]	111.76[4.400]	116.84[4.600]
Tol.	±0.30[.012]				±0.40[.016]			

mat'l. code		surface ASME Y14.5	tolerance ASME Y14.5	projection 	product family TERMINAL BLOCK
ltr	ecn no	dr	date	tolerances unless otherwise specified	title
B				angles X±1°	TERMINAL BLOCK PLUGGABLE SIGNAL, SOCKET, STRAIGHT 2 WALLS
				inlet X.X±0.5	MM [INCH]
				scale X.XX±0.1	scale
		dr	WENDY CHEN	062210	dwg no
		enr	JASON HSU	062210	sheet 3 of 3
		chr	GARY HSIEH	062210	20020106
		appd	JOSEPH HSIA	062210	A4
sheet index	revision sheet				type CUSTOMER Drawing

## X-ON Electronics

Largest Supplier of Electrical and Electronic Components

*Click to view similar products for [Pluggable Terminal Blocks](#) category:*

*Click to view products by [Amphenol](#) manufacturer:*

Other Similar products are found below :

[57.510.0053](#) [MC 1.5/ 6-ST-3.5 GY AU](#) [734-104](#) [734-302](#) [8-141-P](#) [8426620000](#) [860505](#) [860810](#) [GBPACX-12](#) [93.731.4953.0](#) [PV05-5,08-K](#)  
[PVP04-3,50](#) [PVS02-5,00](#) [1-1986160-3](#) [1377680000](#) [1531000000](#) [1546228-5](#) [ELFH16150](#) [ELFP03110](#) [ELFP10210](#) [ELFT06250](#)  
[ELVP03100](#) [1700410](#) [1700425](#) [1702246](#) [1717806](#) [1719600](#) [1734692](#) [1734795](#) [1740291](#) [1752441](#) [1752865](#) [1754144](#) [1760051](#) [1760336](#)  
[1777701](#) [1783410](#) [1800227](#) [1801080](#) [1836888](#) [1848818](#) [1849079](#) [1860870](#) [1876327](#) [1896417](#) [1903096](#) [19346](#) [1946309](#) [1970579](#) [1973592](#)