

PRODUCT NUMBER
20020108-XXXXXXLF

20020108- □ □ □ □ A 0 □ LF

PITCH

C : 3.50 mm
D : 3.81 mm
G : 5.00 mm
H : 5.08 mm

POLES



02: 2 POLES
03: 3 POLES
04: 4 POLES

LF : DENOTED ROHS COMPATIBLE

1 : STANDARD PRODUCT
W/ BOX PACKING

24: 24 POLES

HOUSING CODE

PROPERTY TABLE					
FCI SERIES NAME	06-350	06-381	06-500	06-508	
PITCH (mm)	3.50	3.81	5.00	5.08	
VOLTAGE RATING (VAC)	300	300	300	300	
CURRENT RATING (A)	cULus	10	10	12	12
	VDE	10.5	10.5	NA	NA
WITHSTANDING VOLTAGE (kV)	cULus	1.6	1.6	1.6	1.6
	VDE	2.5	2.5	NA	NA
OPERATING TEMP. (°C)	-40~+115	-40~+115	-40~+115	-40~+115	
SOLDERING TEMP. (°C)	250±10	250±10	250±10	250±10	
	(5 sec.)	(5 sec.)	(5 sec.)	(5 sec.)	
POLES AVAILABLE	02~24	02~24	02~24	02~24	
SAFETY CERTIFICATE					

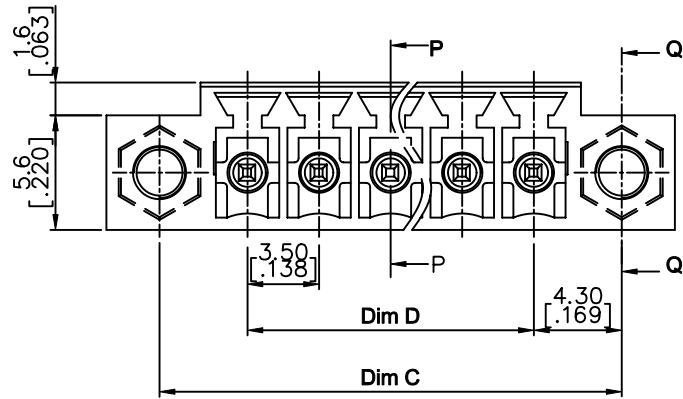
CODE	COLOR	AVAILABILITY
1	GREEN(RAL 6018/T)	STANDARD
2	BLACK	ON REQUEST ONLY
3	GREY(RAL 7004/P)	ON REQUEST ONLY
4	BLUE(RAL 5015/A)	ON REQUEST ONLY

NOTES:

- MATERIALS
1-1 HOUSING: THERMALPLASTIC RESIN, UL 94V-0 RATED.
1-2 TERMINAL: COPPER ALLOY, TIN PLATED.
- PRODUCT SPECIFICATION REFER TO FCI GS-12-625.
- BOXED PACKAGING,
DETAILED PRODUCT PACKING SPECIFICATION REFER TO FCI GS-14-1394.
- FCI, SAFETY CERTIFICATE LOGO AND SERIES NAME TO BE SHOWN ON PRODUCT SURFACE.
- THE PRODUCTS WHERE THE PART NUMBER END IN "LF" MEET THE EUROPEAN UNION DIRECTIVE AND OTHER COUNTRY REGULATIONS AS DESCRIBED IN GS-22-008.
- RECOMENDED SOLDERING PROCESS BY WAVE SOLDER.

mat'l. code		surface ASME Y14.5 ✓		tolerance ASME Y14.5		projection		product family	
litr		ecn no	dr	date		tolerances unless otherwise specified		TERMINAL BLOCK	
A	T10-0062	WL		050710		X.±0.5[.020]		title	
B	T10-0155	WL		093010		X.X±0.3[.012]		TERMINAL BLOCK	
C	T10-0187	WL		121410		X*±1"		PLUGGABLE, SOCKET, SIGNAL, STRAIGHT	
D	T11-0019	WL		040611		dr WENDY CHEN 042310		W/FLANGE	
E	T-004860	WL		080411		enr JASON HSU 042310		dwg no	
						chr GARY HSIEH 042310		sheet 1 of 5	
						appd JOSEPH HSIA 042310		20020108	
sheet index		revision sheet		E	E	E	E	A4	
				1	2	3	4	CUSTOMER Drawing	

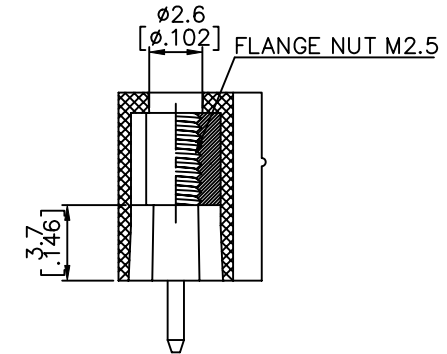
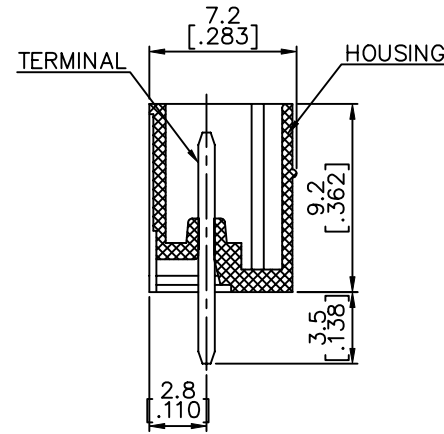
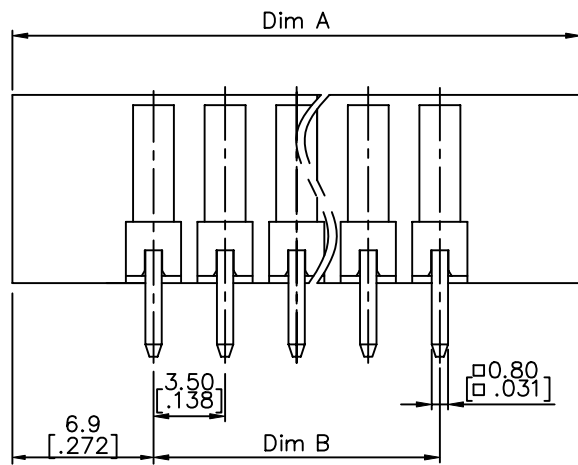
PRODUCT NUMBER	SERIES NAME	PITCH
20020108-CXXXXXXLF	06-350	3.50 mm



N= Number of poles

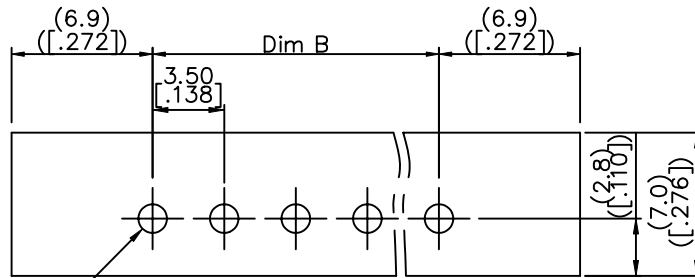
Dim A	$(N-1)*3.5[.138]+13.8[.543]$
Dim B	$(N-1)*3.5[.138]$
Dim C	$(N-1)*3.5[.138]+8.6[.339]$
Dim D	$(N-1)*3.5[.138]$

Poles	Tolerance
2p-6p	$\pm 0.15[.006]$
7p-12p	$\pm 0.20[.008]$
13p-16p	$\pm 0.25[.010]$
17p-24p	$\pm 0.30[.012]$



SECTION P-P

SECTION Q-Q



$\phi 1.40$ Typ.
 $\phi .055$

RECOMMENDED P.C.B LAYOUT

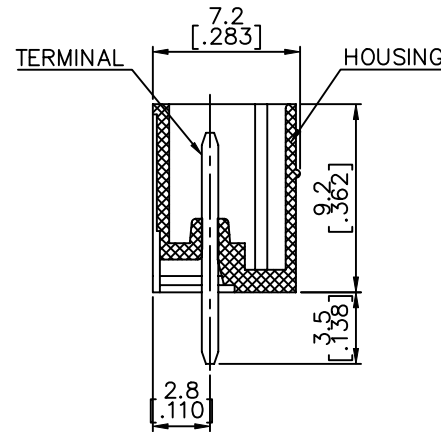
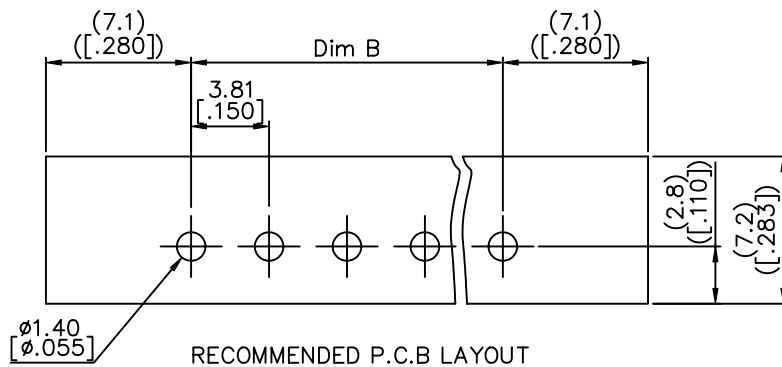
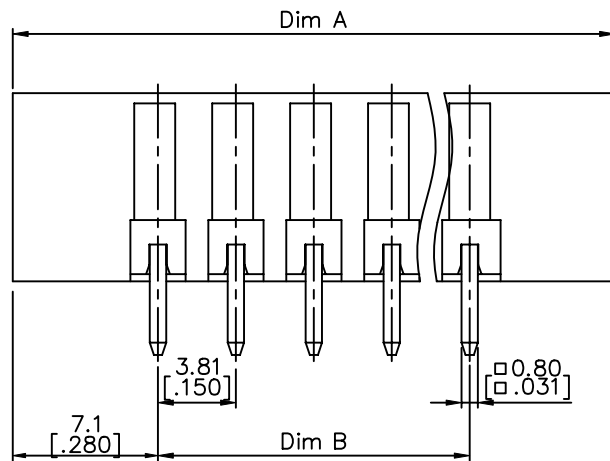
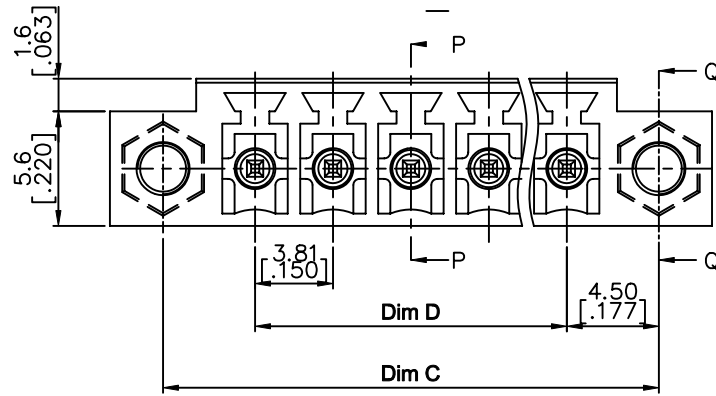
mat'l. code	surface ASME Y14.5	tolerance ASME Y14.5	projection	product family TERMINAL BLOCK
ltr	ecn no	dr	date	title
E				TERMINAL BLOCK PLUGGABLE, SOCKET, SIGNAL, STRAIGHT W/FLANGE
	angles	in/out	scale	sheet 2 of 5 size
	$X \pm 1^\circ$	$X.X \pm 0.5[.020]$ $X.X \pm 0.3[.012]$ $X.XX \pm 0.1[.004]$	MM [INCH]	20020108 A4
	dr	WENDY CHEN	042310	FCI
	enr	JASON HSU	042310	type
	chr	GARY HSIEH	042310	CUSTOMER Drawing
	appd	JOSEPH HSIA	042310	
sheet index	revision sheet			

PRODUCT NUMBER	SERIES NAME	PITCH
20020108-DXXXXXXLF	06-381	3.81 mm

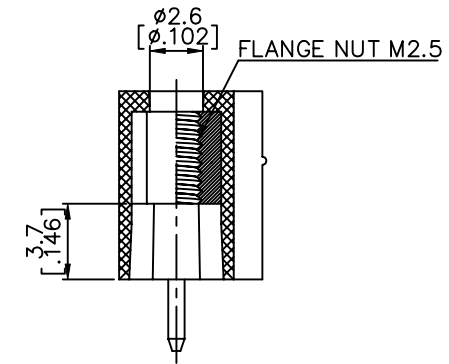
N= Number of poles

Dim A	$(N-1)*3.81[.150]+14.2[.559]$
Dim B	$(N-1)*3.81[.150]$
Dim C	$(N-1)*3.81[.150]+9.0[.354]$
Dim D	$(N-1)*3.81[.150]$

Poles	Tolerance
2p-6p	$\pm 0.15[.006]$
7p-12p	$\pm 0.20[.008]$
13p-16p	$\pm 0.25[.010]$
17p-24p	$\pm 0.30[.012]$



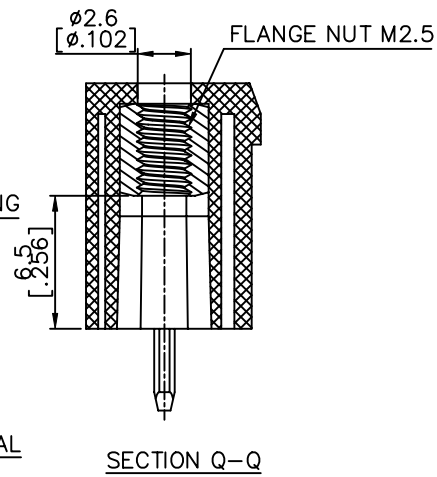
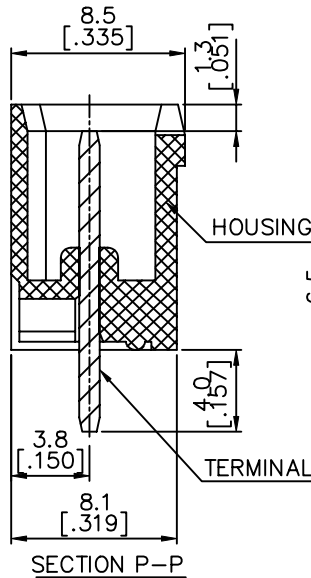
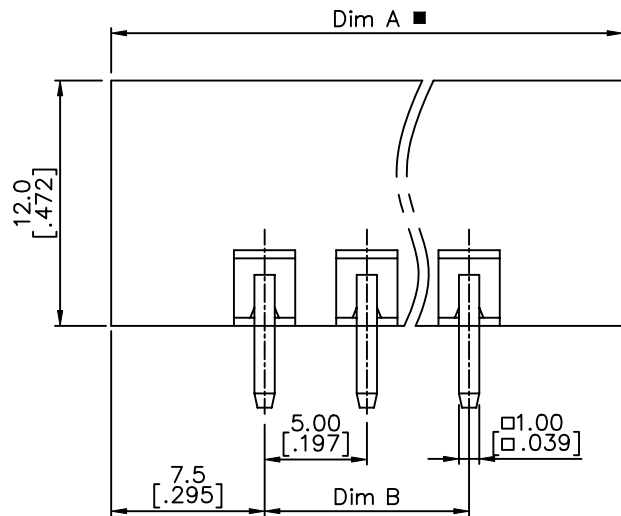
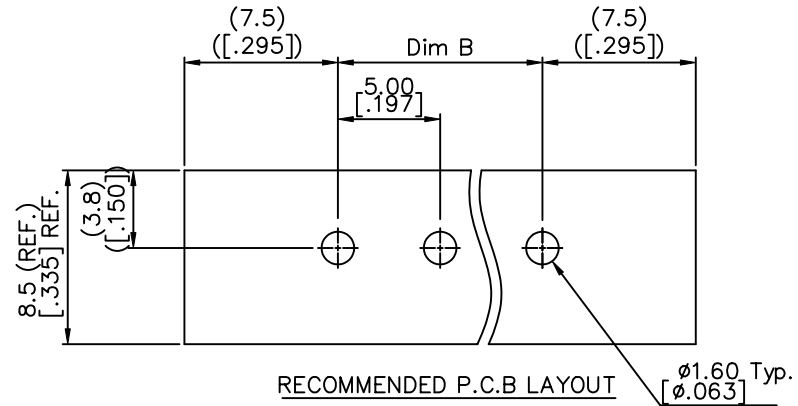
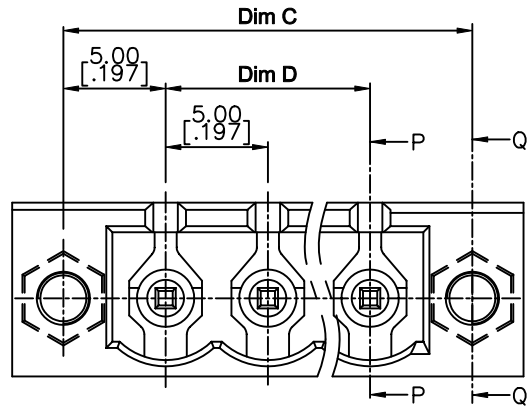
SECTION P-P



SECTION Q-Q

mat'l. code		surface ASME Y14.5	tolerance ASME Y14.5	projection 	product family TERMINAL BLOCK
ltr	ecn no	dr	date	title TERMINAL BLOCK PLUGGABLE, SOCKET, SIGNAL, STRAIGHT W/FLANGE	
E				$X \pm 0.5[.020]$ $X.X \pm 0.3[.012]$ $X' \pm 1'$ $X.XX \pm 0.1[.004]$	scale MM INCH
dr WENDY CHEN 042310				sheet 3 of 5 size	
enr JASON HSU 042310				20020108 A4	
chr GARY HSIEH 042310				type CUSTOMER Drawing	
appd JOSEPH HSIA 042310				FCI logo	
sheet index	revision sheet				

PRODUCT NUMBER	SERIES NAME	PITCH
20020108-GXXXXXLFF	06-500	5.00 mm



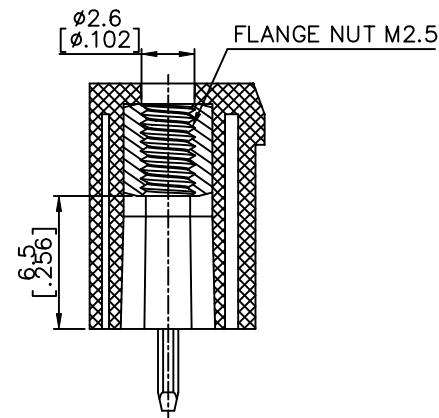
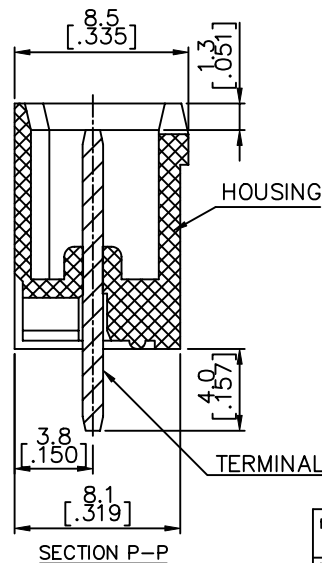
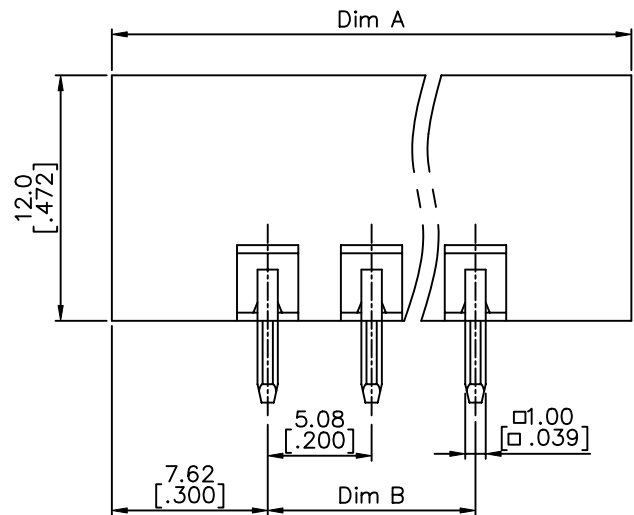
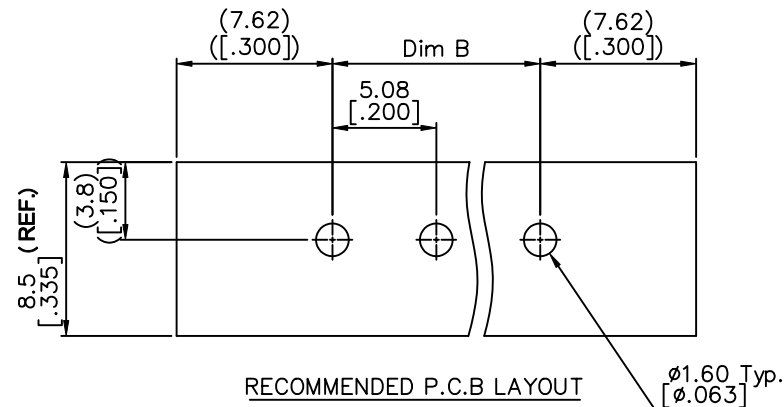
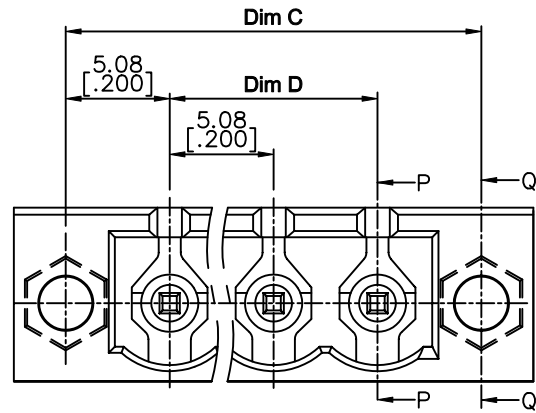
N= Number of poles

Dim A	(N+2)*5.0
Dim B	(N-1)*5.0
Dim C	(N+1)*5.0
Dim D	(N-1)*5.0

Poles	Tolerance
2P-6P	±0.15
7P-12P	±0.20
13P-18P	±0.30
19P-24P	±0.40

mat'l. code		surface ASME Y14.5 ✓	tolerance ASME Y14.5	projection MM INCH	product family TERMINAL BLOCK
ltr	ecn no	dr	date	title TERMINAL BLOCK PLUGGABLE, SOCKET, SIGNAL, STRAIGHT W/FLANGE	
E				scale	sheet 4 of 5 size
					20020108 A4
		dr	WENDY CHEN	042310	type CUSTOMER Drawing
		enr	JASON HSU	042310	
		chr	GARY HSIEH	042310	
		appd	JOSEPH HSIA	042310	
sheet index	revision sheet				

PRODUCT NUMBER	SERIES NAME	PITCH
20020108-HXXXXXXLF	06-508	5.08 mm



N= NUMBER OF POLES

Dim A	$(N+2)*5.08$
Dim B	$(N-1)*5.08$
Dim C	$(N+1)*5.08$
Dim D	$(N-1)*5.08$

Poles	Tolerance
2P-6P	± 0.15
7P-12P	± 0.20
13P-18P	± 0.30
19P-24P	± 0.40

mat'l. code	surface ASME Y14.5	tolerance ASME Y14.5	projection	product family TERMINAL BLOCK
ltr	ecn no	dr	date	title
E				TERMINAL BLOCK PLUGGABLE, SOCKET, SIGNAL, STRAIGHT W/FLANGE
	angles	int		MM INCH
	$X \pm 1^\circ$			scale
	dr	WENDY CHEN	042310	FCI
	enr	JASON HSU	042310	dwg no
	chr	GARY HSIEH	042310	20020108
	app	JOSEPH HSIA	042310	sheet 5 of 5 size
				A4
sheet index	revision sheet			type CUSTOMER Drawing

X-ON Electronics

Largest Supplier of Electrical and Electronic Components

Click to view similar products for [Pluggable Terminal Blocks](#) category:

Click to view products by [Amphenol](#) manufacturer:

Other Similar products are found below :

[57.404.7553](#) [57.504.0053.7](#) [57.510.0053](#) [57.910.6153](#) [01.112.1453](#) [CTB932VE/6](#) [MC 1.5/ 6-ST-3.5 GY AU](#) [ET02015000J0G](#) [734-104](#) [734-302](#) [734-304](#) [8-141-P](#) [FKCT 2.5/ 3-ST KMGY](#) [860505](#) [860508](#) [860516](#) [860810](#) [861908](#) [GBPACX-12](#) [93.731.4953.0](#) [PV05-5,08-K](#) [PVP02-5,00](#) [PVP04-3,50](#) [PVS02-5,00](#) [1-1986160-3](#) [H-10](#) [1546228-5](#) [ELFP03110](#) [ELVP03100](#) [ELXH03100](#) [ELXP041G0](#) [ELXT046G0](#) [1700101](#) [1700410](#) [1700425](#) [1703176](#) [1703243](#) [1705229](#) [1710175](#) [1714537](#) [1717806](#) [1719600](#) [1728941](#) [1729386](#) [1734692](#) [1734795](#) [1736036](#) [1740194](#) [1740291](#) [1740628](#)