



PRODUCT NUMBER

20020109-XXXXXXLF

20020109 — □ □ □ □ A 0 □ L F

PITCH

G: 5.00 mm
H: 5.08 mm

POLES

02: 2 POLES
03: 3 POLES
04: 4 POLES
24: 24 POLES

LF : DENOTED RoHS COMPATIBLE

1 : STANDARD PRODUCT
W/ BOX PACKING

HOUSING CODE

PROPERTY TABLE		
FCI SERIES NAME	06-500	06-508
PITCH (mm)	5.00	5.08
VOLTAGE RATING (VAC)	300	300
CURRENT RATING (A)	12	12
WITHSTANDING VOLTAGE (kV)	1.6	1.6
OPERATING TEMP. (°C)	-40~+115	-40~+115
SOLDERING TEMP. (°C)	250±10 (5 sec.)	250±10 (5 sec.)
POLES AVAILABLE	02~24	02~24
SAFETY CERTIFICATE		

CODE	COLOR	AVAILABILTY
1	GREEN(RAL 6018/T)	STANDARD
2	BLACK	ON REQUEST ONLY
3	GREY(RAL 7004/P)	ON REQUEST ONLY
4	BLUE(RAL 5015/A)	ON REQUEST ONLY

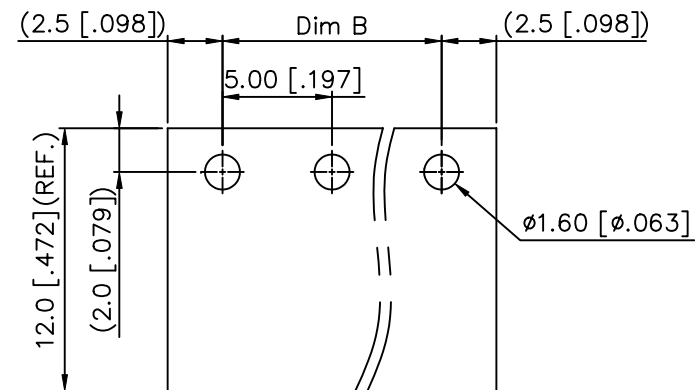
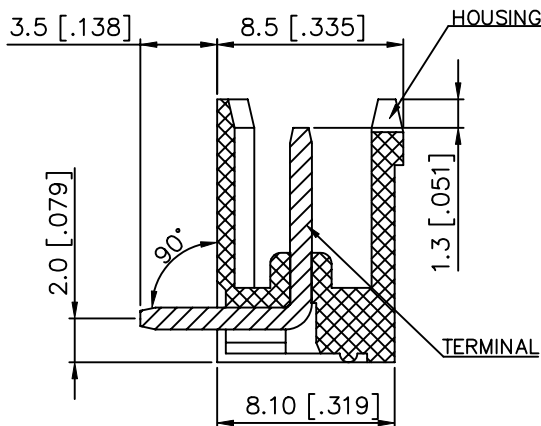
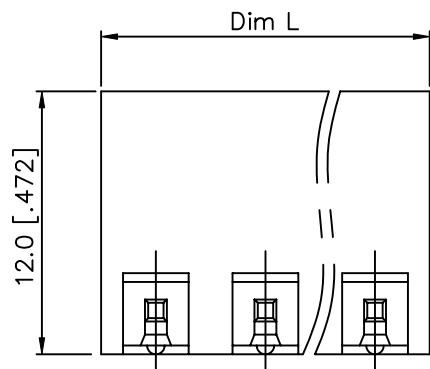
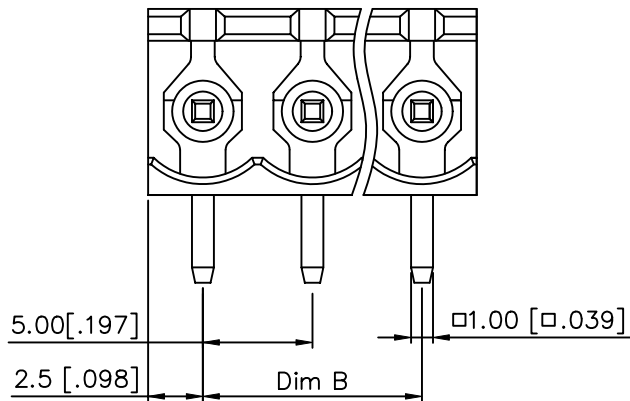
NOTES:

- MATERIALS
1-1 HOUSING: THERMALPLASTIC RESIN, UL 94V-0 RATED.
1-2 TERMINAL: COPPER ALLOY, TIN PLATED.
- PRODUCT SPECIFICATION REFER TO FCI GS-12-625.
- PRODUCT PACKING SPECIFICATION REFER TO FCI GS-14-1394.
- FCI, SAFETY CERTIFICATE LOGO AND SERIES NAME TO BE SHOWN ON PRODUCT SURFACE.
- THE PRODUCTS WHERE THE PART NUMBER END IN "LF" MEET THE EUROPEAN UNION DIRECTIVE AND OTHER COUNTRY REGULATIONS AS DESCRIBED IN GS-22-008.
- RECOMENDED SOLDERING PROCESS BY WAVE SOLDER.

mat'l. code				surface ASME Y14.5 ✓		tolerance ASME Y14.5		projection		product family TERMINAL BLOCK			
ltr	ecn no	dr	date	tolerances unless otherwise specified						title			
A	T10-0099	WL	070110	angles	to	file	X.±0.5			TERMINAL BLOCK PLUGGABLE SOCKET, RIGHT ANGLE 2 WALLS			
B	T10-0116	WL	072210				X.X±0.3						
C	T10-0161	WL	101210	X*±1*		X.XX±0.1		scale		dwg no 20020109 sheet 1 of 3 size A4			
D	T10-0187	WL	121410	dr		WENDY CHEN 062110							
				enr		JASON HSU 062110				type CUSTOMER Drawing			
				chr		GARY HSIEH 062110							
				appd		JOSEPH HSIA 062110							
sheet index	revision sheet	D	D	D									
		1	2	3									



PRODUCT NUMBER	SERIES NAME	PITCH
20020109-GXXXXXL	06-500	5.00 mm



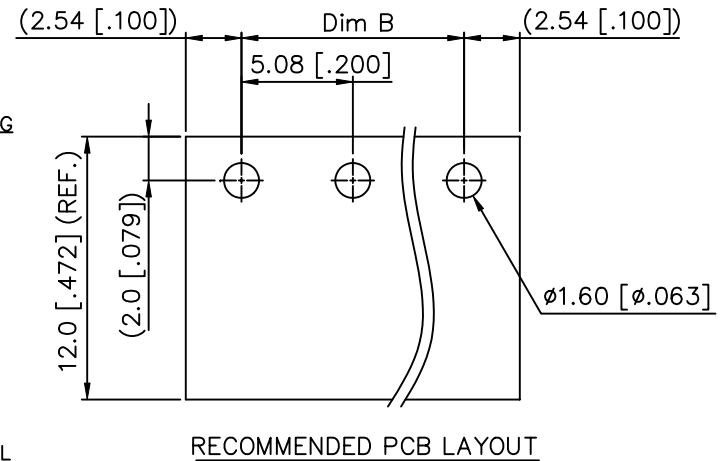
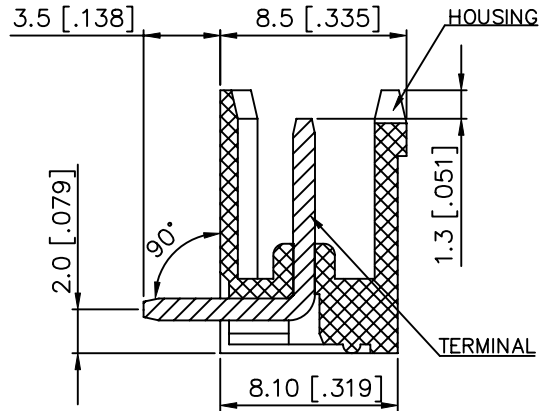
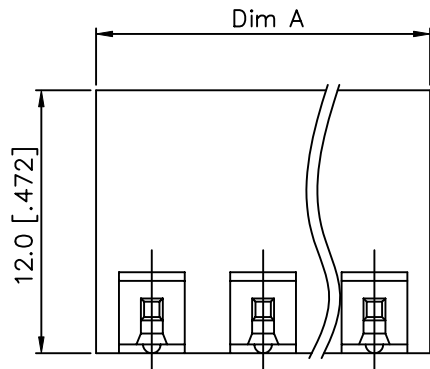
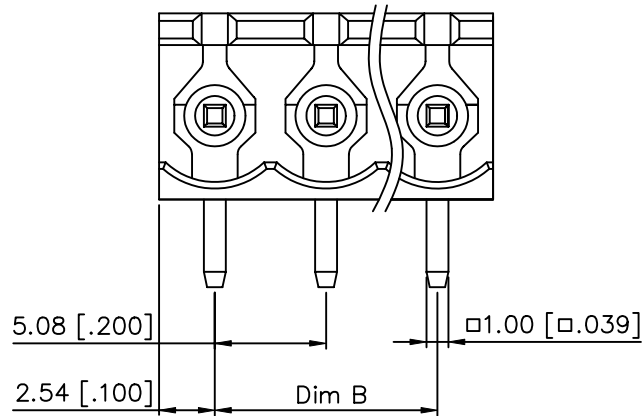
RECOMMENDED PCB LAYOUT

POLE	1	2	3	4	5	6	7	8
DIM.L	10.0[.394]	10.0[.394]	15.0[.590]	20.0[.787]	25.0[.984]	30.0[1.181]	35.0[1.377]	40.0[1.574]
DIM.B	5.0[.196]	5.0[.196]	10.0[.394]	15.0[.590]	20.0[.787]	25.0[.984]	30.0[1.181]	35.0[1.377]
Tol.	±0.15[.006]							±0.25[.010]
POLE	9	10	11	12	13	14	15	16
DIM.L	45.0[1.771]	50.0[1.968]	55.0[2.165]	60.0[2.362]	65.0[2.559]	70.0[2.755]	75.0[2.952]	80.0[3.149]
DIM.B	40.0[1.574]	45.0[1.771]	50.0[1.968]	55.0[2.165]	60.0[2.362]	65.0[2.559]	70.0[2.755]	75.0[2.952]
Tol.	±0.25[.010]				±0.30[.012]			
POLE	17	18	19	20	21	22	23	24
DIM.L	85.0[3.346]	90.0[3.543]	95.0[3.74]	100.0[3.937]	105.0[4.133]	110.0[4.330]	115.0[4.527]	120.0[4.724]
DIM.B	80.0[3.149]	85.0[3.346]	90.0[3.543]	95.0[3.740]	100.0[3.937]	105.0[4.133]	110.0[4.330]	115.0[4.527]
Tol.	±0.30[.012]			±0.40[.016]				

mat'l. code		surface	tolerance	projection	product family
ltr		ASME Y14.5	ASME Y14.5		TERMINAL BLOCK
ecn no	dr	tolerances unless otherwise specified			title
D		angles	X.X±0.5	MM	TERMINAL BLOCK
		inlet	X.X±0.3	INCH	PLUGGABLE SOCKET, RIGHT ANGLE
		X°±1°	X.XX±0.1	scale	2 WALLS
		dr	WENDY CHEN 062110		dwg no
		enr	JASON HSU 062110		sheet 2 of 3
		chr	GARY HSIEH 062110		20020109
		appd	JOSEPH HSIA 062110		A4
sheet index	revision sheet				type
					CUSTOMER Drawing



PRODUCT NUMBER	SERIES NAME	PITCH
20020109-HXXXXXXLF	06-508	5.08 mm



POLE	1	2	3	4	5	6	7	8
A	10.16[.400]	10.16[.400]	15.24[.600]	20.32[.800]	25.4[1.000]	30.48[1.200]	35.56[1.400]	40.64[1.600]
B	5.08[.200]	5.08[.200]	10.16[.400]	15.24[.600]	20.32[.800]	25.4[1.000]	30.48[1.200]	35.56[1.400]
Tol.		±0.15[.006]						±0.25[.010]
POLE	9	10	11	12	13	14	15	16
A	45.72[1.800]	50.8[2.000]	55.88[2.200]	60.96[2.400]	66.04[2.600]	71.12[2.800]	76.2[3.000]	81.28[3.200]
B	40.64[1.600]	45.72[1.800]	50.8[2.000]	55.88[2.200]	60.96[2.400]	66.04[2.600]	71.12[2.800]	76.2[3.000]
Tol.	±0.25[.010]				±0.30[.012]			
POLE	17	18	19	20	21	22	23	24
A	86.36[3.400]	91.44[3.600]	96.52[3.800]	101.6[4.000]	106.68[4.200]	111.76[4.400]	116.84[4.600]	121.92[4.800]
B	81.28[3.200]	86.36[3.400]	91.44[3.600]	96.52[3.800]	101.6[4.000]	106.68[4.200]	111.76[4.400]	116.84[4.600]
Tol.	±0.30[.012]				±0.40[.016]			

mat'l. code	surface ASME Y14.5 ✓	tolerance ASME Y14.5	projection 	product family TERMINAL BLOCK			
ltr	ecn	no	dr	date	tolerances unless otherwise specified		title TERMINAL BLOCK PLUGGABLE SOCKET, RIGHT ANGLE 2 WALLS
D					angles X±1°	MM [INCH]	dwg no 20020109
					X.X±0.5	scale	sheet 3 of 3 size A4
					X.XX±0.1		type CUSTOMER Drawing
dr	WENDY CHEN	062110					
enr	JASON HSU	062110					
chr	GARY HSIEH	062110					
appd	JOSEPH HSIA	062110					
sheet index	revision sheet						

X-ON Electronics

Largest Supplier of Electrical and Electronic Components

Click to view similar products for [Pluggable Terminal Blocks](#) category:

Click to view products by [Amphenol](#) manufacturer:

Other Similar products are found below :

[57.510.0053](#) [MC 1.5/ 6-ST-3.5 GY AU](#) [734-104](#) [734-302](#) [8-141-P](#) [8426620000](#) [860505](#) [860810](#) [GBPACX-12](#) [93.731.4953.0](#) [PV05-5,08-K](#)
[PVP04-3,50](#) [PVS02-5,00](#) [1-1986160-3](#) [1377680000](#) [1531000000](#) [1546228-5](#) [ELFH16150](#) [ELFP03110](#) [ELFP10210](#) [ELFT06250](#)
[ELVP03100](#) [1700410](#) [1700425](#) [1702246](#) [1717806](#) [1719600](#) [1734692](#) [1734795](#) [1740291](#) [1752441](#) [1752865](#) [1754144](#) [1760051](#) [1760336](#)
[1777701](#) [1783410](#) [1800227](#) [1801080](#) [1836888](#) [1848818](#) [1849079](#) [1860870](#) [1876327](#) [1896417](#) [1903096](#) [19346](#) [1946309](#) [1970579](#) [1973592](#)