

PRODUCT NUMBER
20020111-XXXXXXLF

20020111-□ □ □ □ A 0 □ LF



PITCH
C : 3.50 mm
D : 3.81 mm
G : 5.00 mm
H : 5.08 mm

POLES
02: 2 POLES
03: 3 POLES
04: 4 POLES
.
.
.
24: 24 POLES

LF : DENOTED ROHS COMPATIBLE
1 : STANDARD PRODUCT
W/ BOX PACKING

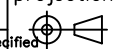
HOUSING CODE

CODE	COLOR	AVAILABILTY
1	GREEN(RAL 6018/T)	STANDARD
2	BLACK	ON REQUEST ONLY
3	GREY(RAL 7004/P)	ON REQUEST ONLY
4	BLUE(RAL 5015/A)	ON REQUEST ONLY

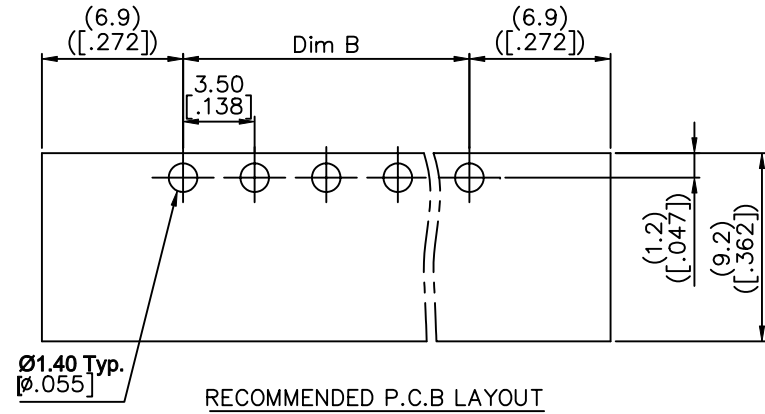
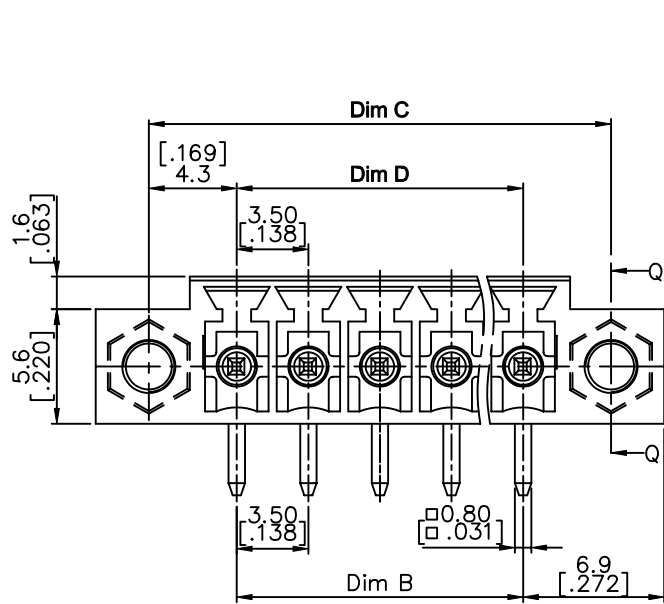
PROPERTY TABLE					
FCI SERIES NAME		06-350	06-381	06-500	06-508
PITCH (mm)		3.50	3.81	5.00	5.08
VOLTAGE RATING (VAC)		300	300	300	300
CURRENT RATING (A)	cULus	10	10	12	12
	VDE	10.5	10.5	NA	NA
WITHSTANDING VOLTAGE (kV)	cULus	1.6	1.6	1.6	1.6
	VDE	2.5	2.5	NA	NA
OPERATING TEMP. (°C)		-40~+115	-40~+115	-40~+115	-40~+115
SOLDERING TEMP. (°C)		250±10 (5 sec.)	250±10 (5 sec.)	250±10 (5 sec.)	250±10 (5 sec.)
POLES AVAILABLE		02~24	02~24	02~24	02~24
SAFETY CERTIFICATE					

NOTES:

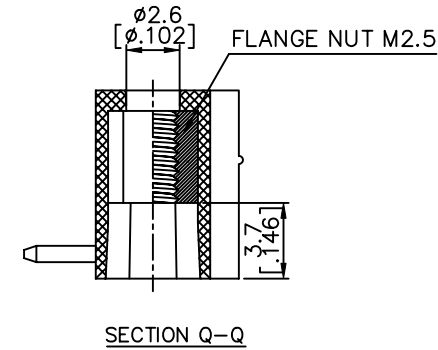
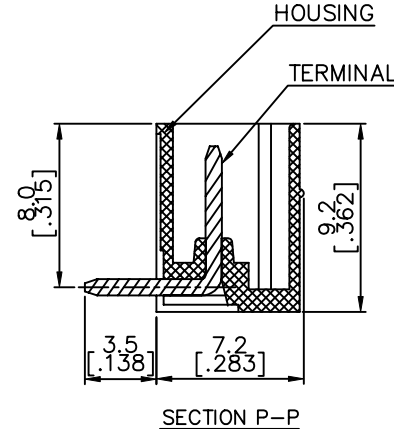
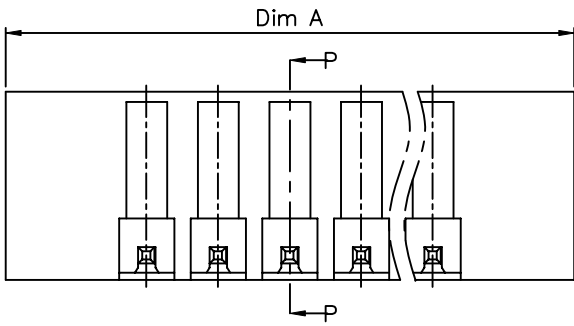
- MATERIALS
1-1 HOUSING: THERMALPLASTIC RESIN, UL 94V-0 RATED.
1-2 TERMINAL: COPPER ALLOY, TIN PLATED.
- PRODUCT SPECIFICATION REFER TO FCI GS-12-625.
- BOXED PACKAGING,
DETAILED PRODUCT PACKING SPECIFICATION REFER TO FCI GS-14-1394.
- FCI, SAFETY CERTIFICATE LOGO AND SERIES NAME TO BE SHOWN ON PRODUCT SURFACE.
- THE PRODUCTS WHERE THE PART NUMBER END IN "LF" MEET THE EUROPEAN UNION DIRECTIVE AND OTHER COUNTRY REGULATIONS AS DESCRIBED IN GS-22-008.
- RECOMENDED SOLDERING PROCESS BY WAVE SOLDER.

mat'l. code				surface ASME Y14.5 ✓ / tolerance ASME Y14.5		projection	product family	
tolerances unless otherwise specified							TERMINAL BLOCK	
ltr	ecn no	dr	date	angles	tolerance	MM	title	
A	T10-0062	WL	050710	to 1°	X.±0.5[.020]	[INCH]	TERMINAL BLOCK	
B	T10-0155	WL	093010	to 1°	X.X±0.3[.012]		PLUGGABLE, SOCKET, SIGNAL, R/A	
C	T10-0187	WL	121410	X°±1°	X.XX±0.1[.004]	scale	W/FLANGE	
D	T11-0006	WL	012611	dr	WENDY CHEN	042610	sheet 1 of 5 size	
E	T11-0013	WL	040811	enr	JASON HSU	042610	20020111 A4	
F	T-004860	WL	080411	chr	GARY HSIEH	042610	type	
				appd	JOSEPH HSIA	042610	CUSTOMER Drawing	
sheet index	revision	F	F	F	F	F		
	sheet	1	2	3	4	5		

PRODUCT NUMBER	SERIES NAME	PITCH
20020111-CXXXXXXLF	06-350	3.50 mm



RECOMMENDED P.C.B LAYOUT



SECTION Q-Q

N= Number of poles

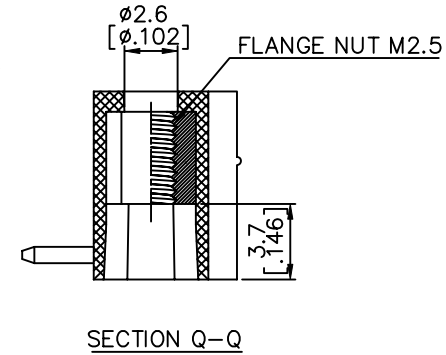
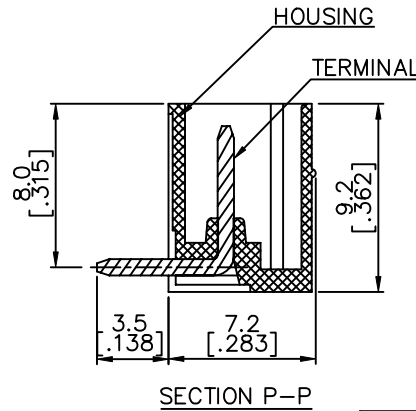
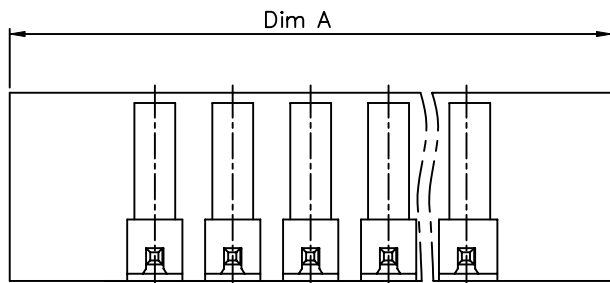
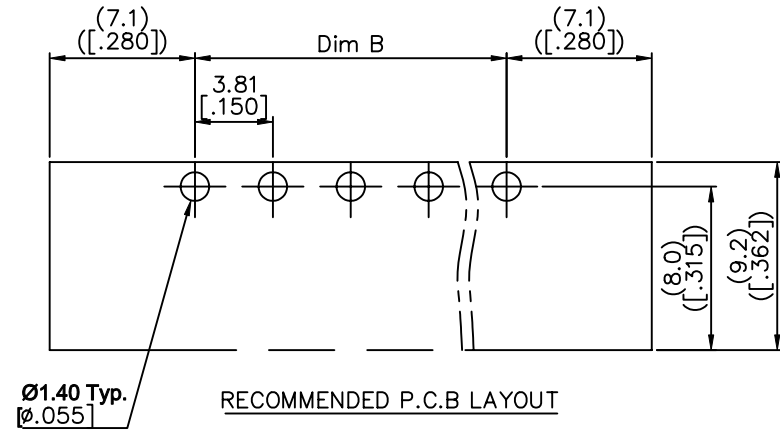
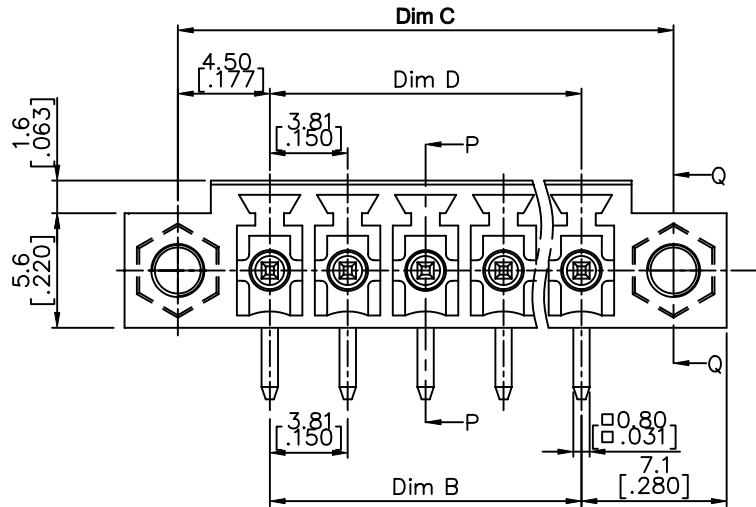
Dim A	$(N-1)*3.5[.138]+13.8[.543]$
Dim B	$(N-1)*3.5[.138]$
Dim C	$(N-1)*3.5[.138]+8.6[.339]$
Dim D	$(N-1)*3.5[.138]$

Poles	Tolerance
2p-6p	$\pm 0.15[.006]$
7p-12p	$\pm 0.20[.008]$
13p-16p	$\pm 0.25[.010]$
17p-24p	$\pm 0.30[.012]$

mat'l. code		surface ASME Y14.5	tolerance ASME Y14.5	projection	product family TERMINAL BLOCK
ltr	ecn no	dr	date	tolerances unless otherwise specified	title
F				angles in X \pm 1°	TERMINAL BLOCK PLUGGABLE, SOCKET, SIGNAL, R/A W/FLANGE
				scale	dwg no
		dr	WENDY CHEN 042610	MM INCH	sheet 2 of 5 size
		enr	JASON HSU 042610		20020111
		chr	GARY HSIEH 042610		A4
		appd	JOSEPH HSIA 042610		type
sheet index	revision sheet				CUSTOMER Drawing



PRODUCT NUMBER	SERIES NAME	PITCH
20020111-DXXXXXXLF	06-381	3.81 mm



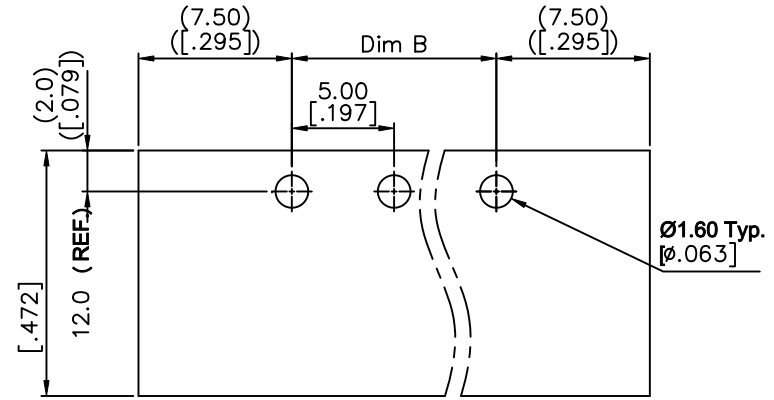
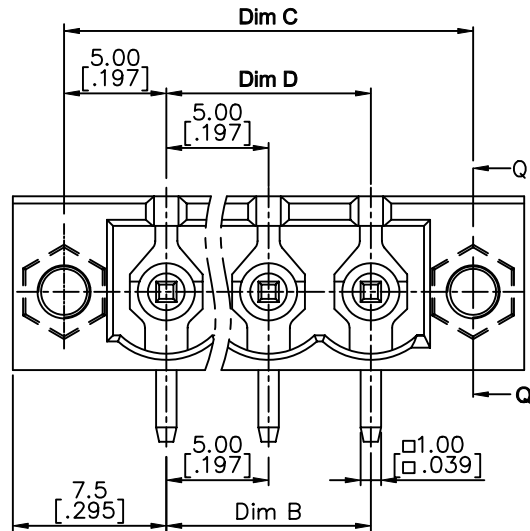
N= Number of poles

Dim A	$(N-1)*3.81[.150]+14.2[.559]$
Dim B	$(N-1)*3.81[.150]$
Dim C	$(N-1)*3.81[.150]+9.0[.354]$
Dim D	$(N-1)*3.81[.150]$

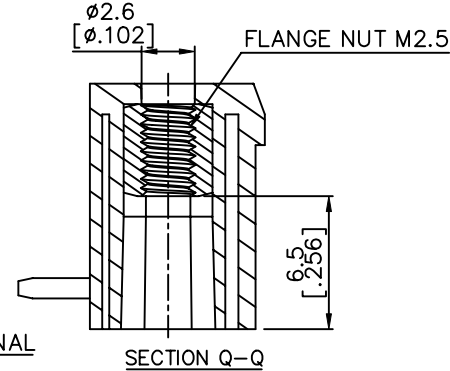
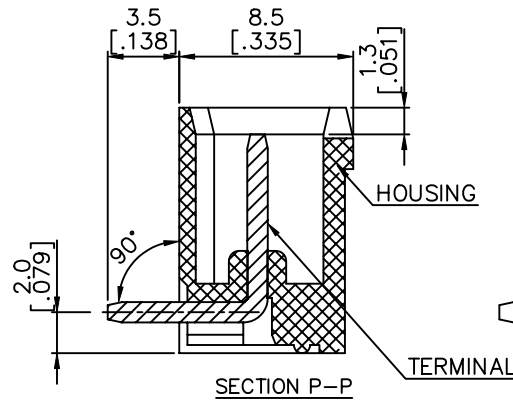
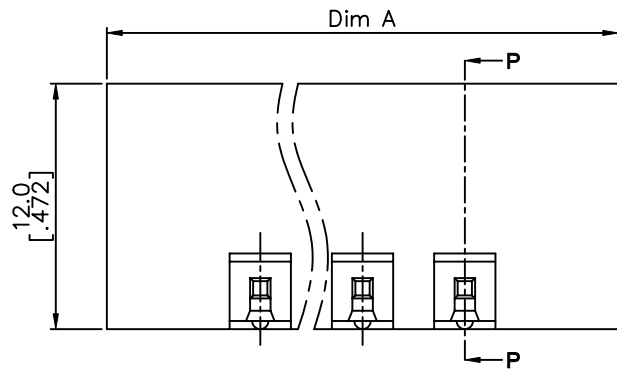
Poles	Tolerance
2p-6p	$\pm 0.15[.006]$
7p-12p	$\pm 0.20[.008]$
13p-16p	$\pm 0.25[.010]$
17p-24p	$\pm 0.30[.012]$

mat'l. code	surface ASME Y14.5	tolerance ASME Y14.5	projection	product family TERMINAL BLOCK
ltr	ecn no	dr	date	title TERMINAL BLOCK PLUGGABLE, SOCKET, SIGNAL, R/A W/FLANGE
F				dwg no 20020111
	angles	in	at	sheet 3 of 5 size A4
	X \pm 1°	X. \pm 0.5[.020]	MM	type CUSTOMER Drawing
		X.X \pm 0.3[.012]	[INCH]	
		X.XX \pm 0.1[.004]	scale	
	dr	WENDY CHEN	042610	
	enr	JASON HSU	042610	
	chr	GARY HSIEH	042610	
	appd	JOSEPH HSIA	042610	
sheet index	revision sheet			

PRODUCT NUMBER	SERIES NAME	PITCH
20020111-GXXXXXL	06-500	5.00 mm



RECOMMENDED PCB LAYOUT



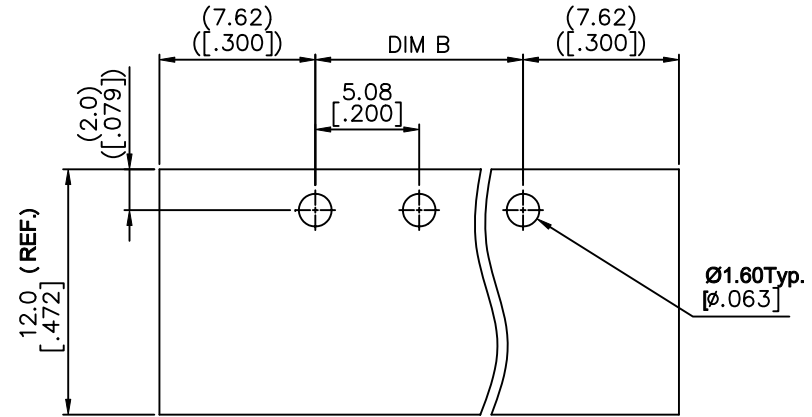
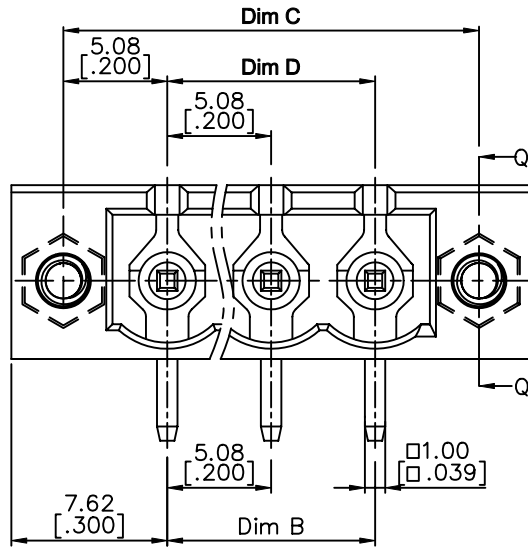
N= NUMBER OF POLES

Dim A	(N+2)*5.0 [.197]
Dim B	(N-1)*5.0 [.197]
Dim C	(N+1)*5.0 [.197]
Dim D	(N-1)*5.0 [.197]

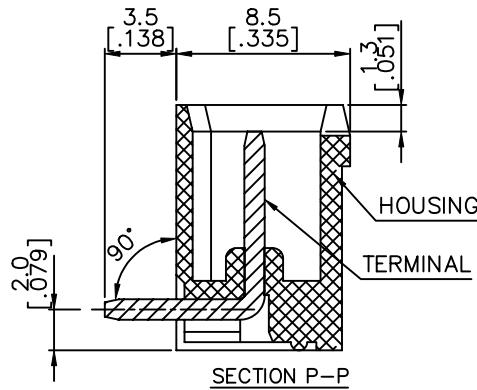
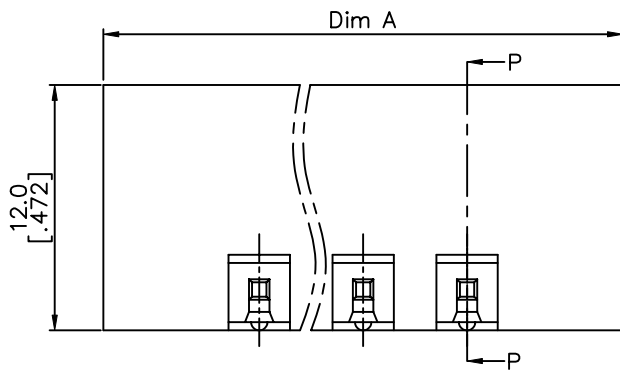
Poles	Tolerance
2P-6P	±0.15 [.006]
7P-12P	±0.20 [.008]
13P-18P	±0.25 [.010]
19P-24P	±0.30 [.012]

mat'l. code	surface ASME Y14.5	tolerance ASME Y14.5	projection	product family
ltr	ecn no	dr	date	TERMINAL BLOCK
F				title
				TERMINAL BLOCK
				PLUGGABLE, SOCKET, SIGNAL, R/A
				W/FLANGE
				dwg no
				sheet 4 of 5 size
				20020111
				A4
				type
				CUSTOMER Drawing
sheet index	revision sheet			

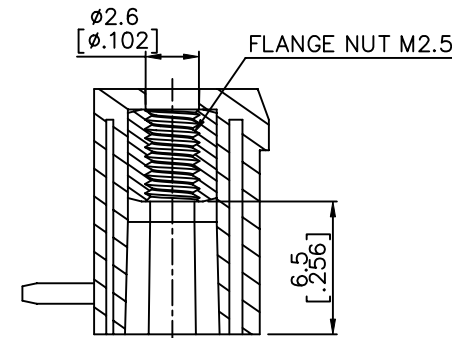
PRODUCT NUMBER	SERIES NAME	PITCH
20020111-HXXXXXXLF	06-508	5.08 mm



RECOMMENDED PCB LAYOUT



SECTION P-P



SECTION Q-Q

N= NUMBER OF CONCATS

Dim A	(N+2)*5.08 [.200]
Dim B	(N-1)*5.08 [.200]
Dim C	(N+1)*5.08 [.200]
Dim D	(N-1)*5.08 [.200]

Poles	Tolerance
2P-6P	±0.15 [.006]
7P-12P	±0.20 [.008]
13P-18P	±0.30 [.012]
19P-24P	±0.40 [.016]

mat'l. code	surface ASME Y14.5	tolerance ASME Y14.5	projection	product family TERMINAL BLOCK
ltr	ecn no	dr	date	title
F				TERMINAL BLOCK PLUGGABLE, SOCKET, SIGNAL, R/A W/FLANGE
	angles	int	scale	dwg no
	X±1°	X.X±0.1 [.004]	MM [INCH]	sheet 5 of 5 size
	dr	WENDY CHEN	042610	20020111
	enr	JASON HSU	042610	A4
	chr	GARY HSIEH	042610	type
	appd	JOSEPH HSIA	042610	CUSTOMER Drawing
sheet index	revision sheet			

X-ON Electronics

Largest Supplier of Electrical and Electronic Components

Click to view similar products for [Pluggable Terminal Blocks](#) category:

Click to view products by [Amphenol](#) manufacturer:

Other Similar products are found below :

[57.510.0053](#) [MC 1.5/ 6-ST-3.5 GY AU](#) [734-104](#) [734-302](#) [8-141-P](#) [8426620000](#) [860505](#) [860810](#) [GBPACX-12](#) [93.731.4953.0](#) [PV05-5,08-K](#)
[PVP04-3,50](#) [PVS02-5,00](#) [1-1986160-3](#) [1377680000](#) [1531000000](#) [1546228-5](#) [ELFH16150](#) [ELFP03110](#) [ELFP10210](#) [ELFT06250](#)
[ELVP03100](#) [1700410](#) [1700425](#) [1702246](#) [1717806](#) [1719600](#) [1734692](#) [1734795](#) [1740291](#) [1752441](#) [1752865](#) [1754144](#) [1760051](#) [1760336](#)
[1777701](#) [1783410](#) [1800227](#) [1801080](#) [1836888](#) [1848818](#) [1849079](#) [1860870](#) [1876327](#) [1896417](#) [1903096](#) [19346](#) [1946309](#) [1970579](#) [1973592](#)