

PRODUCT NUMBER
20020203-XXXXXXLF

20020203- □ □ □ □ A 0 □ L F

PITCH
C: 3.50 mm
D: 3.81 mm
G: 5.00 mm
H: 5.08 mm

POLES
02: 2 POLES
03: 3 POLES
04: 4 POLES
:
:
16: 16 POLES

LF : DENOTED RoHS COMPATIBLE

2 : TAPE & REEL PACKAGING

PROPERTY TABLE				
FCI SERIES NAME	06-350	06-381	06-500	06-508
PITCH (mm)	3.50	3.81	5.00	5.08
VOLTAGE RATING (VAC)	300	300	300	300
CURRENT RATING (A)	10	10	12	12
WITHSTANDING VOLTAGE (kV)	1.6	1.6	1.6	1.6
OPERATING TEMP. (°C)	-40~+65	-40~+65	-40~+65	-40~+65
SOLDERING TEMP. (°C)	250±10 (5 sec.)	250±10 (5 sec.)	250±10 (5 sec.)	250±10 (5 sec.)
POLES AVAILABLE	02~16	02~16	02~12	02~12
SAFETY CERTIFICATE	PENDING			

HOUSING CODE

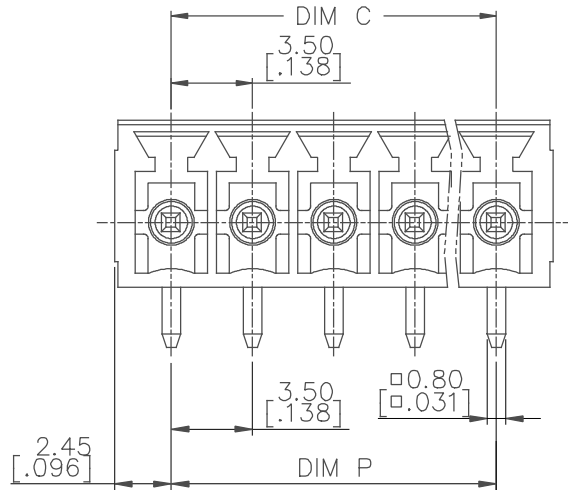
CODE	COLOR	PROCESS
6	BLACK(RAL 9005)	PIP(NOTE 6)

NOTES:

- MATERIAL:
 - 1-1. TERMINAL: COPPER ALLOY, TIN PLATED.
 - 1-2. HOUSING: THERMOPLASTIC RESIN, UL94V-0 RATED.
- PRODUCTION SPECIFICATION REFER TO FCI GS-12-625.
- PRODUCT PACKING SPECIFICATION REFER TO FCI GS-14-1394.
- FCI, SAFETY CERTIFICATE LOGO AND SERIES NAME TO BE SHOWN ON PRODUCT SURFACE.
- THE PRODUCTS WHERE THE PART NUMBER END IN "LF" MEET THE EUROPEAN UNION DIRECTIVE AND OTHER COUNTRY REGULATIONS AS DESCRIBED IN GS-22-008.
- THE HOUSING WILL WITHSTAND EXPOSURE TO 260°C PEAK TEMPERATURE FOR 5 SECONDS IN A CONVECTION, INFRA-RED OR VAPOR PHASE REFLOW OVEN.

mat'l. code		surface ASME Y14.5	tolerance ASME Y14.5	projection 	product family TERMINAL BLOCK
ltr	ecn no	dr	date	title	
A		LS	071912	TERMINAL BLOCK PLUGGABLE SOCKET/RIGHT ANGLE(PIP)	
angles		tolerances unless otherwise specified	scale		
X'±1'		X.±0.5	MM [INCH]		
		X.X±0.3			
		X.XX±0.1			
dr		LEIF SHEN	041911	FCI	
enr		LEIF SHEN	041911	sheet 1 of 5 size	
chr		LEIF SHEN	041911	20020203 A4	
appd		JOSEPH HSIA	041911	type CUSTOMER Drawing	
sheet index	revision sheet	A	A	A	A
		1	2	3	4

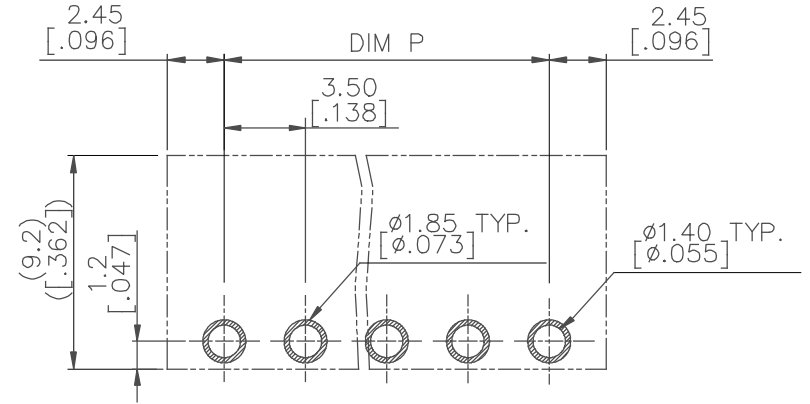
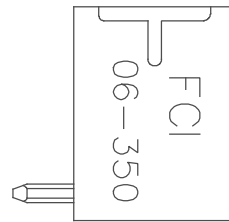
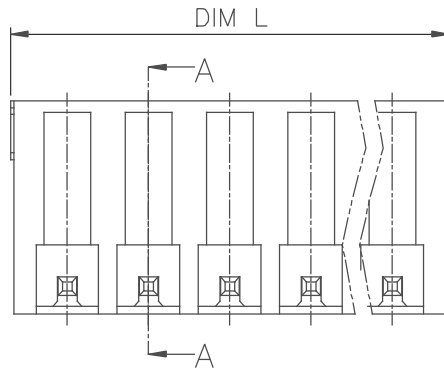
PRODUCT NUMBER	SERIES NAME	PITCH
20020203-CXXXXXXLF	06-350	3.50 mm



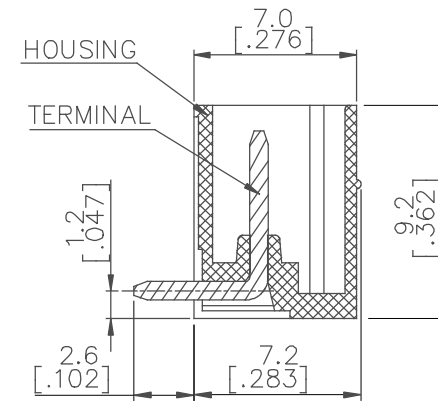
N= Number of poles

DIM L	$(N-1)*3.5[.138]+4.9[.193]$
DIM P	$(N-1)*3.5[.138]$
DIM C	$(N-1)*3.5[.138]$

POLES	TOLERANCE
2-6p	$\pm 0.15[.006]$
7-12p	$\pm 0.20[.008]$
13-16p	$\pm 0.30[.012]$



RECOMMENDED PCB LAYOUT



SECTION A-A

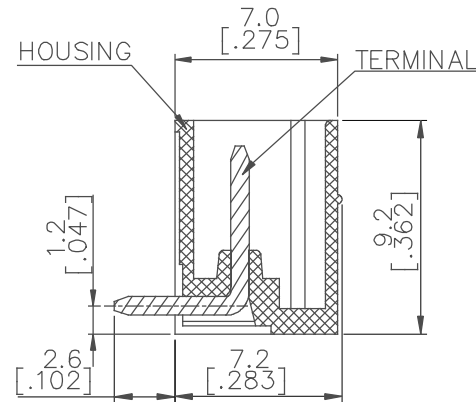
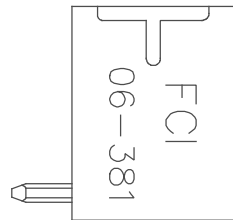
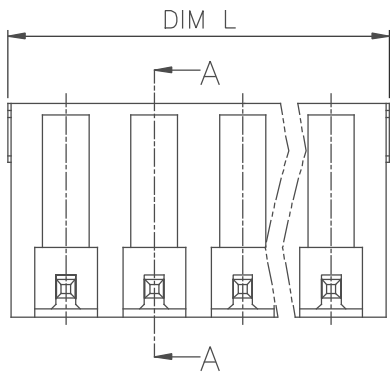
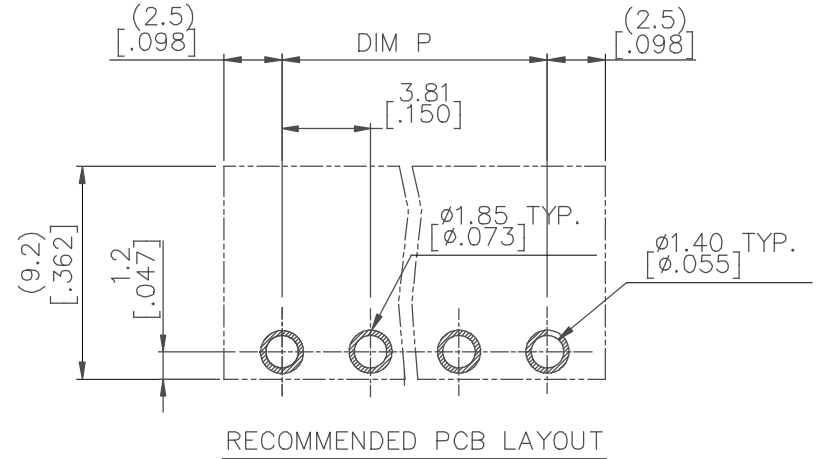
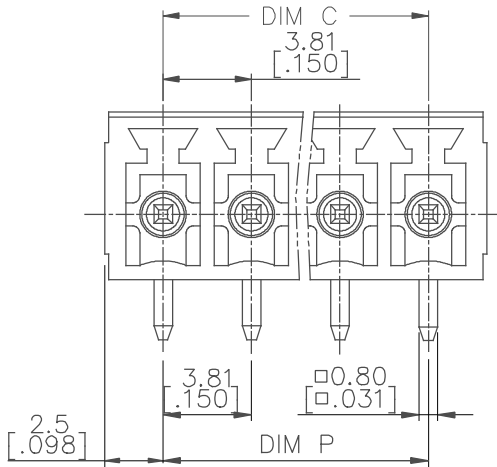
mat'l. code		surface ASME Y14.5	tolerance ASME Y14.5	projection 	product family TERMINAL BLOCK
ltr	ecn no	dr	date	title TERMINAL BLOCK PLUGGABLE SOCKET/RIGHT ANGLE(PIP)	
A				angles X. \pm 0.5	scale MM [INCH]
				X' \pm 1'	X.XX \pm 0.1
		dr	LEIF SHEN 041911	dwg no 20020203	
		enr	LEIF SHEN 041911	sheet 2 of 5 size A4	
		chr	LEIF SHEN 041911	type CUSTOMER Drawing	
		appd	JOSEPH HSIA 041911		
sheet index	revision sheet				

PRODUCT NUMBER	SERIES NAME	PITCH
20020203-DXXXXXXLF	06-381	3.81 mm

N = NUMBER OF POLES

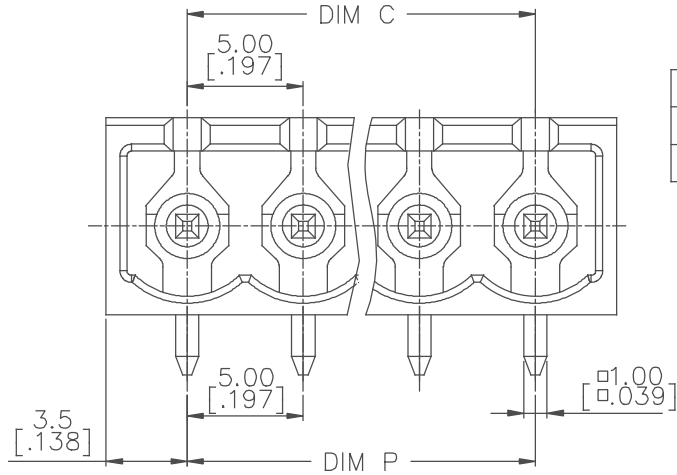
DIM L	$(N-1)*3.81[.150]+5.0[.197]$
DIM P	$(N-1)*3.81[.150]$
DIM C	$(N-1)*3.81[.150]$

POLES	TOLERANCE
2p-6p	$\pm 0.15[.006]$
7p-12p	$\pm 0.20[.008]$
13p-16p	$\pm 0.30[.012]$



mat'l. code		surface ASME Y14.5	tolerance ASME Y14.5	projection 	product family TERMINAL BLOCK
ltr	ecn no	dr	date	title	
A				TERMINAL BLOCK PLUGGABLE SOCKET/RIGHT ANGLE(PIP)	
angles		X.±0.5		MM	dwg no 20020203
X'±1'		X.XX±0.1		INCH	
dr		LEIF SHEN	041911	sheet 3 of 5 size	
enr		LEIF SHEN	041911	A4	
chr		LEIF SHEN	041911	type CUSTOMER Drawing	
appd		JOSEPH HSIA	041911	FCI	
sheet index	revision sheet				

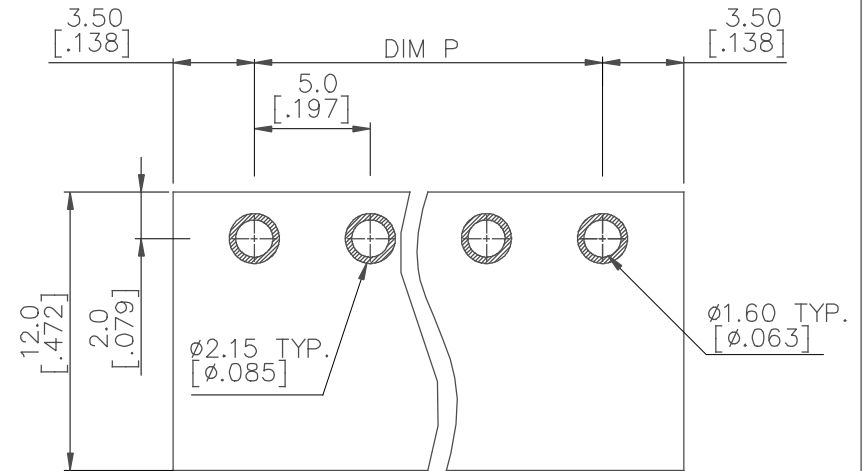
PRODUCT NUMBER	SERIES NAME	PITCH
20020203-GXXXXXXLF	06-500	5.00 mm



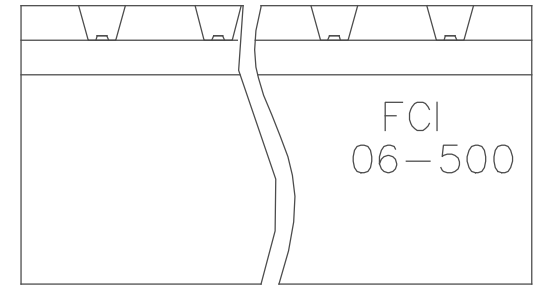
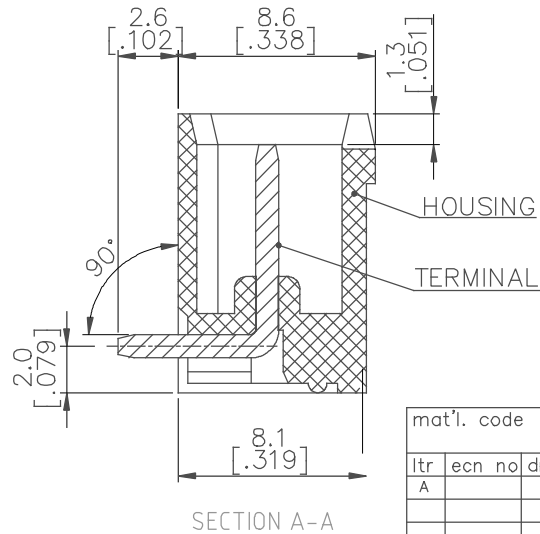
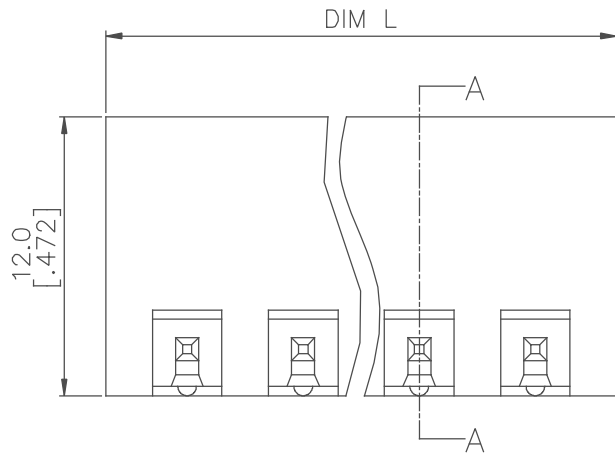
N = NUMBER OF POLES

DIM L	$N * 5.0 [.197] + 2.0 [.079]$
DIM P	$(N - 1) * 5.0 [.197]$
DIM C	$(N - 1) * 5.0 [.197]$

POLES	TOLERANCE
2-3p	$\pm 0.15 [.006]$
4-8p	$\pm 0.20 [.008]$
9-12p	$\pm 0.25 [.010]$

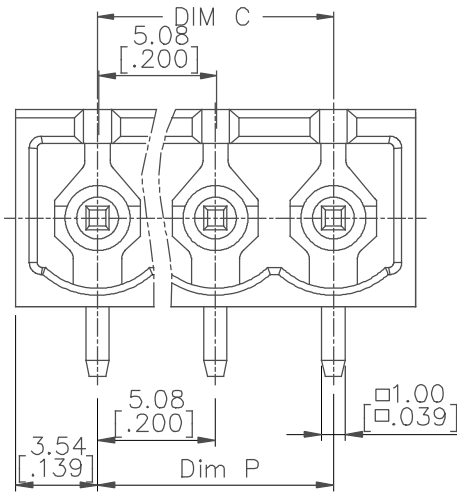


RECOMMENDED PCB LAYOUT



mat'l. code	surface ASME Y14.5 ✓	tolerance ASME Y14.5	projection 	product family TERMINAL BLOCK				
ltr	ecn	no	dr	date	tolerances unless otherwise specified	title		
A					angles X.±0.5 X.X±0.3 X'±1'	TERMINAL BLOCK PLUGGABLE SOCKET/RIGHT ANGLE(PIP)		
					lineout X.XX±0.1	scale MM [INCH]		
			dr	LEIF SHEN	041911			
			enr	LEIF SHEN	041911			
			chr	LEIF SHEN	041911			
			appd	JOSEPH HSIA	041911			
sheet	revision					dwg no	sheet 4 of 5	size
index	sheet					20020203		A4
						type	CUSTOMER Drawing	

PRODUCT NUMBER	SERIES NAME	PITCH
20020203-HXXXXXXLF	06-508	5.08 mm



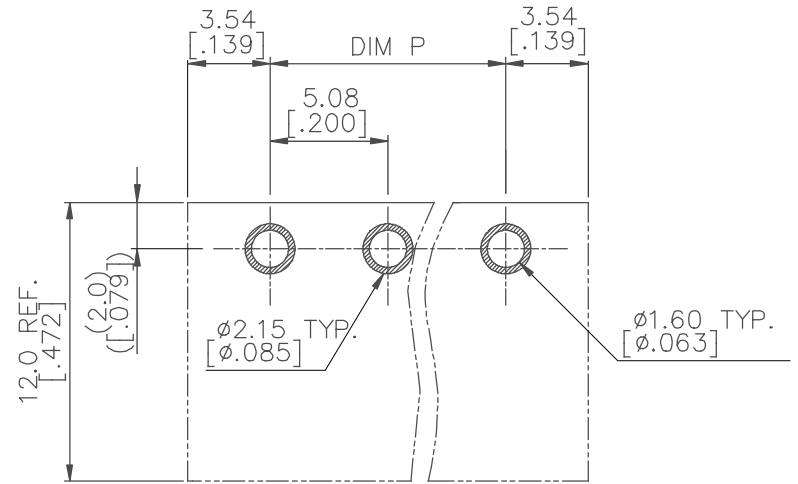
N = NUMBER OF POLES

DIM L $N * 5.08 [.200] + 2.0 [.193]$

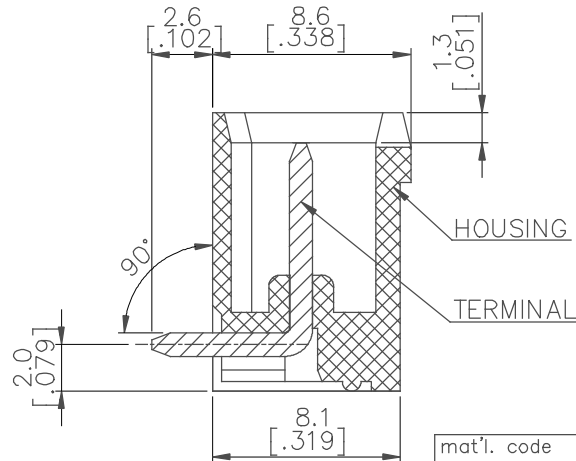
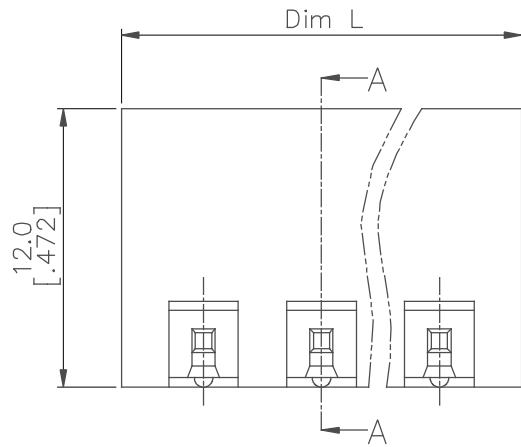
DIM P $(N - 1) * 5.08 [.200]$

DIM C $(N - 1) * 5.08 [.200]$

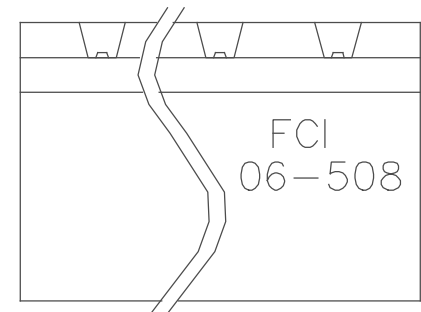
POLES	TOLERANCE
2-3p	$\pm 0.15 [.006]$
4-8p	$\pm 0.20 [.008]$
9-12p	$\pm 0.25 [.010]$



RECOMMENDED PCB LAYOUT



SECTION A-A



mat'l. code	surface ASME Y14.5 ✓	tolerance ASME Y14.5	projection [Symbol]	product family TERMINAL BLOCK		
ltr	ecn	no	dr	date	tolerances unless otherwise specified	title
A					angles X.±0.5	TERMINAL BLOCK
					linear X.X±0.3	PLUGGABLE SOCKET/RIGHT ANGLE(PIP)
					X'±1'	scale
					dr LEIF SHEN 041911	FCI
					enr LEIF SHEN 041911	dwg no 20020203
					chr LEIF SHEN 041911	sheet 5 of 5 size A4
					appd JOSEPH HSIA 041911	type CUSTOMER Drawing
sheet index	revision sheet					

X-ON Electronics

Largest Supplier of Electrical and Electronic Components

Click to view similar products for [Pluggable Terminal Blocks](#) category:

Click to view products by [Amphenol](#) manufacturer:

Other Similar products are found below :

[57.510.0053](#) [MC 1.5/ 6-ST-3.5 GY AU](#) [ET02015000J0G](#) [860505](#) [860516](#) [860810](#) [GBPACX-12](#) [93.731.4953.0](#) [PV05-5,08-K](#) [PVP03-3,50](#)
[PVS02-5,00](#) [1-1986160-3](#) [1377680000](#) [1531000000](#) [1546228-5](#) [ELFP03110](#) [ELFP10210](#) [ELFT07250](#) [ELVD12100](#) [ELVF09400](#)
[ELVP03100](#) [ELXH071G0E](#) [1700410](#) [1702246](#) [1717806](#) [1719600](#) [1728941](#) [1734692](#) [1740291](#) [1740628](#) [1746952](#) [1752865](#) [1756913](#)
[1760051](#) [1760336](#) [1777701](#) [1783410](#) [1801080](#) [1809474](#) [1812513](#) [1849079](#) [1855000000](#) [1860870](#) [1881804](#) [1903096](#) [1920846](#) [1920969](#)
[19346](#) [1946309](#) [1950227](#)