

PRODUCT NUMBER  
20020203-XXXXXXLF

20020203- □ □ □ □ A 0 □ L F

PITCH  
C: 3.50 mm  
D: 3.81 mm  
G: 5.00 mm  
H: 5.08 mm

POLES  
02: 2 POLES  
03: 3 POLES  
04: 4 POLES  
:  
:  
16: 16 POLES

LF : DENOTED RoHS COMPATIBLE  
  
2 : TAPE & REEL PACKAGING

PROPERTY TABLE				
FCI SERIES NAME	06-350	06-381	06-500	06-508
PITCH (mm)	3.50	3.81	5.00	5.08
VOLTAGE RATING (VAC)	300	300	300	300
CURRENT RATING (A)	10	10	12	12
WITHSTANDING VOLTAGE (kV)	1.6	1.6	1.6	1.6
OPERATING TEMP. (°C)	-40~+65	-40~+65	-40~+65	-40~+65
SOLDERING TEMP. (°C)	250±10 (5 sec.)	250±10 (5 sec.)	250±10 (5 sec.)	250±10 (5 sec.)
POLES AVAILABLE	02~16	02~16	02~12	02~12
SAFETY CERTIFICATE	PENDING			

HOUSING CODE

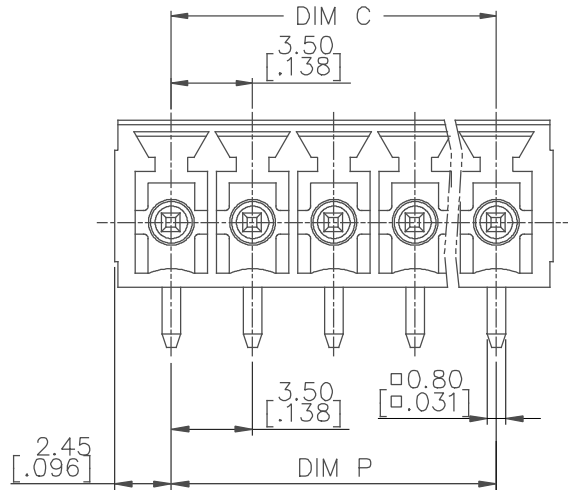
CODE	COLOR	PROCESS
6	BLACK(RAL 9005)	PIP(NOTE 6)

NOTES:

- MATERIAL:
  - 1-1. TERMINAL: COPPER ALLOY, TIN PLATED.
  - 1-2. HOUSING: THERMOPLASTIC RESIN, UL94V-0 RATED.
- PRODUCTION SPECIFICATION REFER TO FCI GS-12-625.
- PRODUCT PACKING SPECIFICATION REFER TO FCI GS-14-1394.
- FCI, SAFETY CERTIFICATE LOGO AND SERIES NAME TO BE SHOWN ON PRODUCT SURFACE.
- THE PRODUCTS WHERE THE PART NUMBER END IN "LF" MEET THE EUROPEAN UNION DIRECTIVE AND OTHER COUNTRY REGULATIONS AS DESCRIBED IN GS-22-008.
- THE HOUSING WILL WITHSTAND EXPOSURE TO 260°C PEAK TEMPERATURE FOR 5 SECONDS IN A CONVECTION, INFRA-RED OR VAPOR PHASE REFLOW OVEN.

mat'l. code		surface ASME Y14.5	tolerance ASME Y14.5	projection	product family TERMINAL BLOCK
ltr	ecn no	dr	date	title	
A		LS	071912	TERMINAL BLOCK PLUGGABLE SOCKET/RIGHT ANGLE(PIP)	
angles		tolerances unless otherwise specified	scale		
X'±1'		X.±0.5	MM [INCH]		
		X.X±0.3			
		X.XX±0.1			
dr		LEIF SHEN	041911	FCI	
enr		LEIF SHEN	041911	sheet 1 of 5 size	
chr		LEIF SHEN	041911	20020203 A4	
appd		JOSEPH HSIA	041911	type CUSTOMER Drawing	
sheet index	revision sheet	A	A	A	A
		1	2	3	4

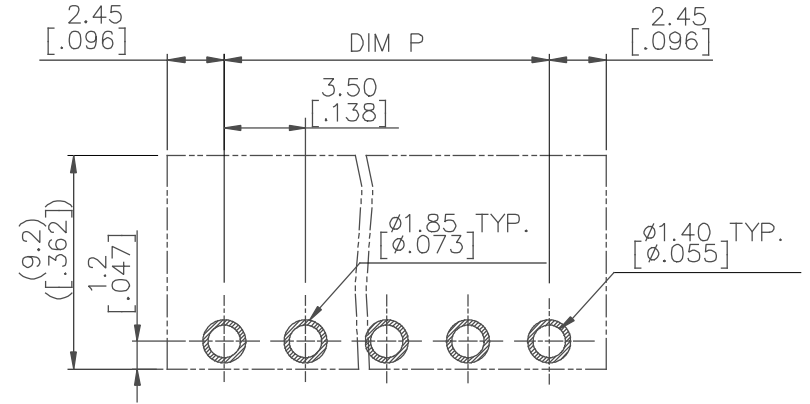
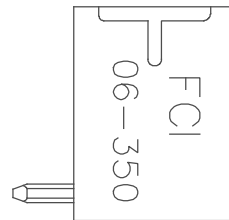
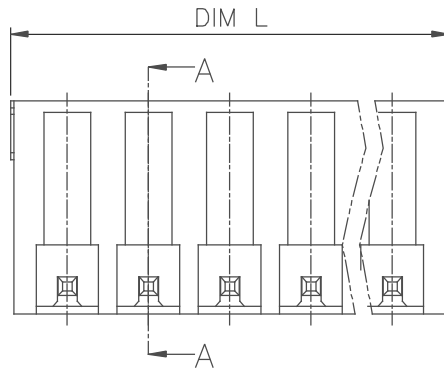
PRODUCT NUMBER	SERIES NAME	PITCH
20020203-CXXXXXXLF	06-350	3.50 mm



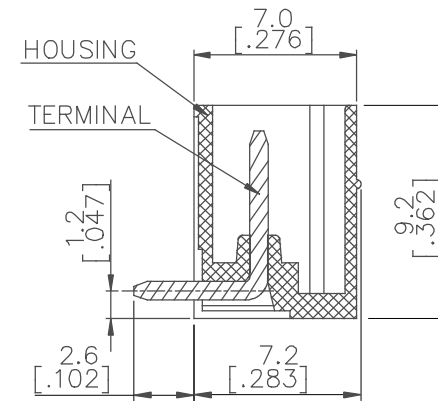
N= Number of poles

DIM L	$(N-1)*3.5[.138]+4.9[.193]$
DIM P	$(N-1)*3.5[.138]$
DIM C	$(N-1)*3.5[.138]$

POLES	TOLERANCE
2-6p	$\pm 0.15[.006]$
7-12p	$\pm 0.20[.008]$
13-16p	$\pm 0.30[.012]$



RECOMMENDED PCB LAYOUT

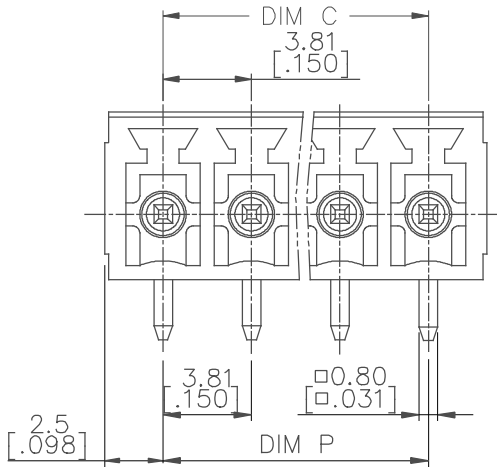


SECTION A-A

mat'l. code		surface ASME Y14.5	tolerance ASME Y14.5	projection 	product family TERMINAL BLOCK
ltr	ecn no	dr	date	title	
A				TERMINAL BLOCK PLUGGABLE SOCKET/RIGHT ANGLE(PIP)	
angles		lineout		MM [INCH]	scale
X'±1'		X.±0.5 X.X±0.3 X.XX±0.1			
dr	LEIF SHEN	041911			
enr	LEIF SHEN	041911			
chr	LEIF SHEN	041911			
appd	JOSEPH HSIA	041911			
sheet index	revision sheet				



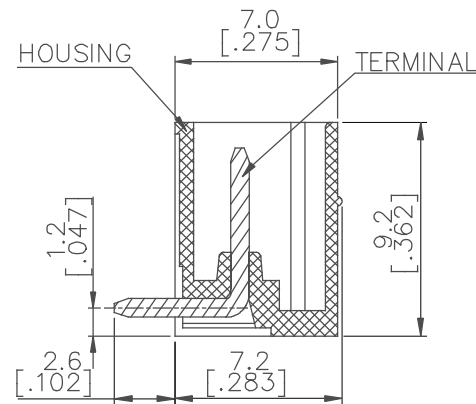
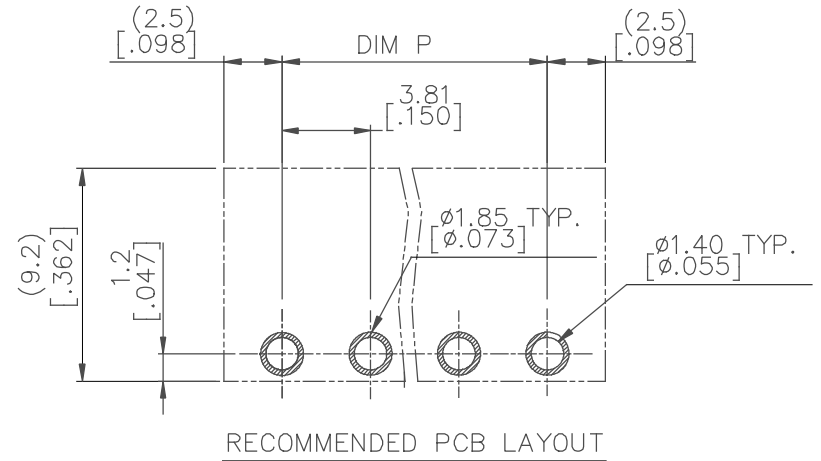
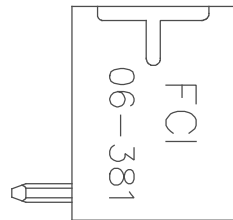
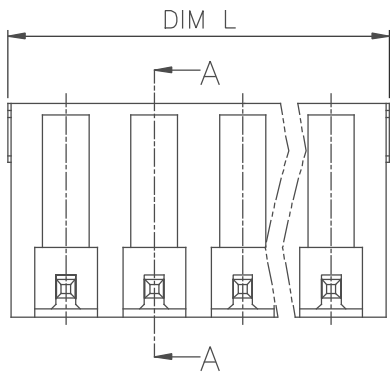
PRODUCT NUMBER	SERIES NAME	PITCH
20020203-DXXXXXXLF	06-381	3.81 mm



N = NUMBER OF POLES

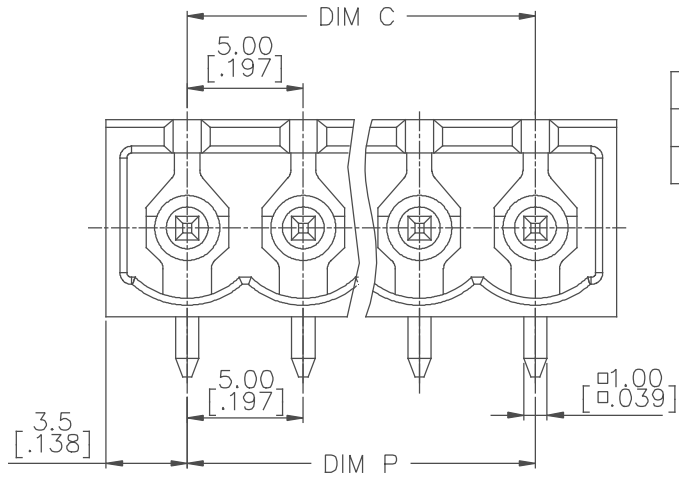
DIM L	$(N-1)*3.81[.150]+5.0[.197]$
DIM P	$(N-1)*3.81[.150]$
DIM C	$(N-1)*3.81[.150]$

POLES	TOLERANCE
2p-6p	$\pm 0.15[.006]$
7p-12p	$\pm 0.20[.008]$
13p-16p	$\pm 0.30[.012]$



mat'l. code		surface ASME Y14.5	tolerance ASME Y14.5	projection	product family	
ltr		tolerances unless otherwise specified		 MM [INCH]	TERMINAL BLOCK	
ecn	no	dr	date		title	
A		angles	X. $\pm$ 0.5	 scale	TERMINAL BLOCK PLUGGABLE SOCKET/RIGHT ANGLE(PIP)	
		X' $\pm$ 1'	X.XX $\pm$ 0.1		dwg no	sheet 3 of 5 size
		dr	LEIF SHEN 041911		20020203	A4
		enr	LEIF SHEN 041911		type	CUSTOMER Drawing
		chr	LEIF SHEN 041911			
		appd	JOSEPH HSIA 041911			
sheet index	revision sheet					

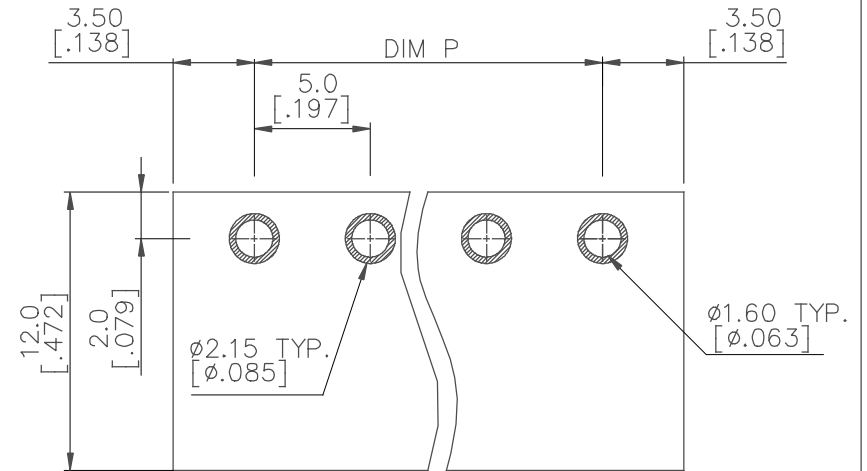
PRODUCT NUMBER	SERIES NAME	PITCH
20020203-GXXXXXXLF	06-500	5.00 mm



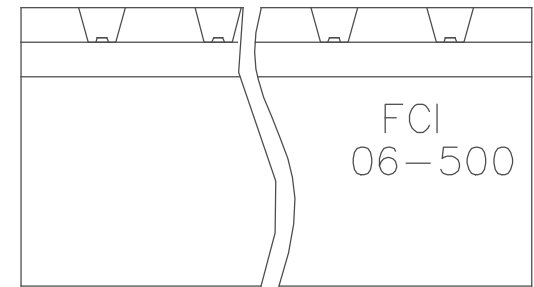
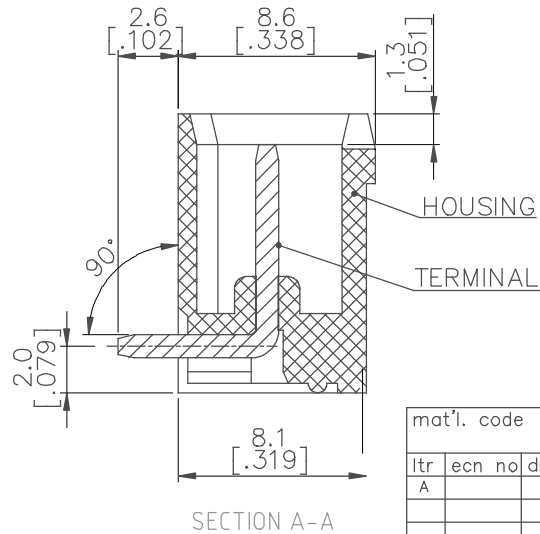
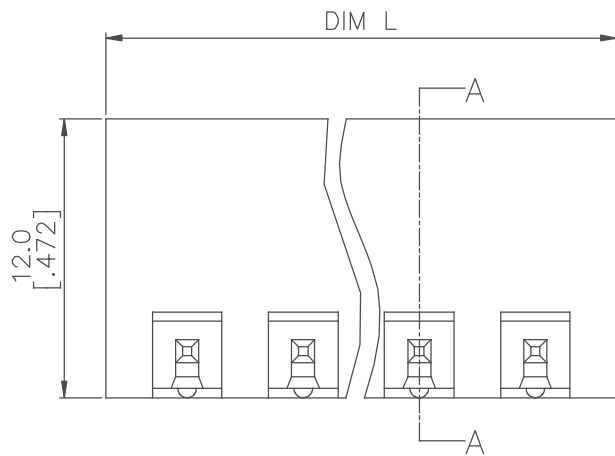
N = NUMBER OF POLES

DIM L	$N * 5.0 [.197] + 2.0 [.079]$
DIM P	$(N - 1) * 5.0 [.197]$
DIM C	$(N - 1) * 5.0 [.197]$

POLES	TOLERANCE
2-3p	$\pm 0.15 [.006]$
4-8p	$\pm 0.20 [.008]$
9-12p	$\pm 0.25 [.010]$

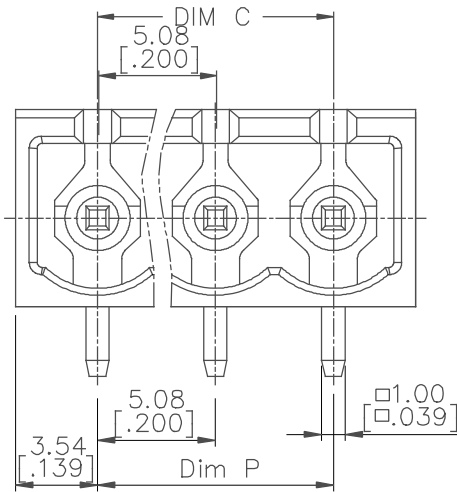


RECOMMENDED PCB LAYOUT



mat'l. code	surface ASME Y14.5 ✓	tolerance ASME Y14.5	projection 	product family TERMINAL BLOCK				
ltr	ecn	no	dr	date	tolerances unless otherwise specified	title		
A					angles X.±0.5	TERMINAL BLOCK PLUGGABLE SOCKET/RIGHT ANGLE(PIP)		
					X'±1'			
					lineout X.XX±0.1	scale		
			dr	LEIF SHEN	041911			
			enr	LEIF SHEN	041911			
			chr	LEIF SHEN	041911			
			appd	JOSEPH HSIA	041911			
sheet	revision					dwg no	sheet 4 of 5	size
index	sheet					20020203		A4
						type	CUSTOMER Drawing	

PRODUCT NUMBER	SERIES NAME	PITCH
20020203-HXXXXXXLF	06-508	5.08 mm



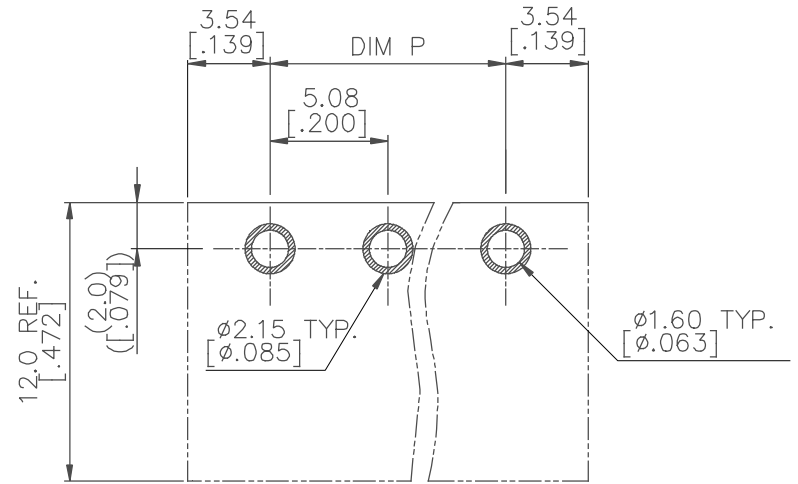
N = NUMBER OF POLES

DIM L  $N * 5.08 [.200] + 2.0 [.193]$

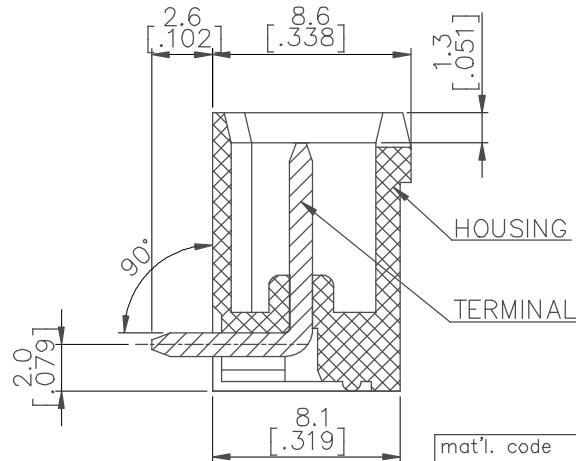
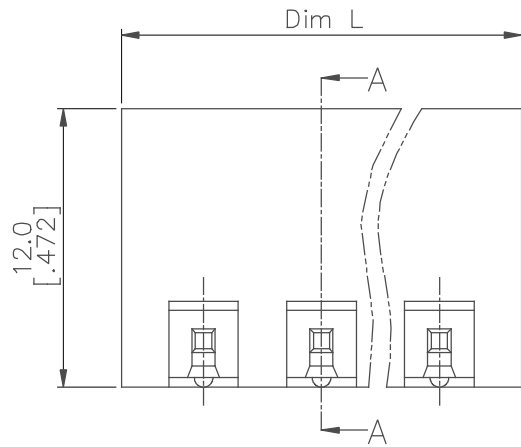
DIM P  $(N - 1) * 5.08 [.200]$

DIM C  $(N - 1) * 5.08 [.200]$

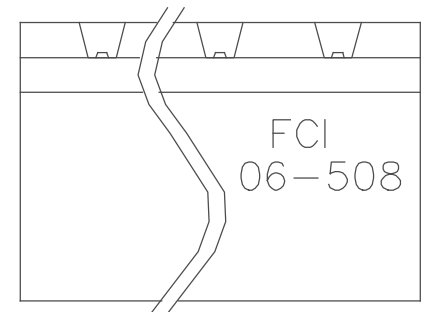
POLES	TOLERANCE
2-3p	$\pm 0.15 [.006]$
4-8p	$\pm 0.20 [.008]$
9-12p	$\pm 0.25 [.010]$



RECOMMENDED PCB LAYOUT



SECTION A-A



mat'l. code	surface ASME Y14.5 ✓	tolerance ASME Y14.5	projection	product family
ltr	ecn no	dr	date	title
A				TERMINAL BLOCK
				TERMINAL BLOCK
				PLUGGABLE SOCKET/RIGHT ANGLE(PIP)
				dwg no
				20020203
				sheet 5 of 5 size
				A4
				type
				CUSTOMER Drawing

## X-ON Electronics

Largest Supplier of Electrical and Electronic Components

*Click to view similar products for [Pluggable Terminal Blocks](#) category:*

*Click to view products by [Amphenol](#) manufacturer:*

Other Similar products are found below :

[57.510.0053](#) [MC 1.5/ 6-ST-3.5 GY AU](#) [734-104](#) [734-302](#) [8-141-P](#) [8426620000](#) [860505](#) [860810](#) [GBPACX-12](#) [93.731.4953.0](#) [PV05-5,08-K](#)  
[PVP04-3,50](#) [PVS02-5,00](#) [1-1986160-3](#) [1377680000](#) [1531000000](#) [1546228-5](#) [ELFH16150](#) [ELFP03110](#) [ELFP10210](#) [ELFT06250](#)  
[ELVP03100](#) [1700410](#) [1700425](#) [1702246](#) [1717806](#) [1719600](#) [1734692](#) [1734795](#) [1740291](#) [1752441](#) [1752865](#) [1754144](#) [1760051](#) [1760336](#)  
[1777701](#) [1783410](#) [1800227](#) [1801080](#) [1836888](#) [1848818](#) [1849079](#) [1860870](#) [1876327](#) [1896417](#) [1903096](#) [19346](#) [1946309](#) [1970579](#) [1973592](#)