

PRODUCT NUMBER
20020302-XXXXXXLF

20020302-□ □ □ □ B 0 □ L F

PITCH

D: 3.81 mm
G: 5.00 mm
H: 5.08 mm

POLES

02: 2 POLES
03: 3 POLES
.....
24: 24 POLES

LF : DENOTED RoHS COMPATIBLE

1 : STANDARD PRODUCT
W/ BOX PACKING

HOUSING CODE

CODE	COLOR	AVAILABILITY
1	GREEN(RAL 6018/T)	STANDARD
2	BLACK	ON REQUEST ONLY
3	GREY(RAL 7004/P)	ON REQUEST ONLY
4	BLUE(RAL 5015/A)	ON REQUEST ONLY

PROPERTY TABLE				
FCI SERIES NAME		09-381	09-500	09-508
PITCH (mm)		3.81	5.00	5.08
VOLTAGE RATING (VAC)		300	300	300
CURRENT RATING (A)		6	10	10
APPLICABLE WIRE RANGE (AWG)	1-WIRE	16~26	14~24	14~24
	2-WIRE	NA	NA	NA
WIRE CROSS SECTION (mm ²)	SOLID	1-WIRE	1.0	1.5
		2-WIRE	NA	NA
	STRANDED	1-WIRE	1.0	1.5
		2-WIRE	NA	NA
OPENING CONTACT HOUSING(mm ²)		1.7x1.7	2.4x2.4	2.4x2.4
WIRE STRIP LENGTH(mm)		9~10	9~10	9~10
WITHSTANDING VOLTAGE (kV)		1.6	1.6	1.6
OPERATING TEMP. (°C)		-40~+115	-40~+115	-40~+115
SOLDERING TEMP. (°C)		250±10 (5 sec.)	250±10 (5 sec.)	250±10 (5 sec.)
POLES AVAILABLE		02~24	02~24	02~24
SAFETY CERTIFICATE				

NOTES:

- MATERIALS
1-1 HOUSING: THERMALPLASTIC RESIN, UL 94V-0 RATED.
1-2 COVER: THERMALPLASTIC RESIN, UL 94V-0 RATED.
1-3 LEVER: THERMALPLASTIC RESIN, UL 94V-0 RATED.
1-4 TERMINAL: COPPER ALLOY, TIN PLATED.
1-5 SPRING CLAMP: STAINLESS STEEL.
- PRODUCT SPECIFICATION REFER TO FCI GS-12-625.
- PRODUCT PACKING SPECIFICATION REFER TO FCI GS-14-1394.
- FCI, SAFETY CERTIFICATE LOGO AND SERIES NAME TO BE SHOWN ON PRODUCT SURFACE.
- THE PRODUCTS WHERE THE PART NUMBER END IN "LF" MEET THE EUROPEAN UNION DIRECTIVE AND OTHER COUNTRY REGULATIONS AS DESCRIBED IN GS-22-008.
- RECOMMENDED SOLDERING PROCESS BY WAVE SOLDER.

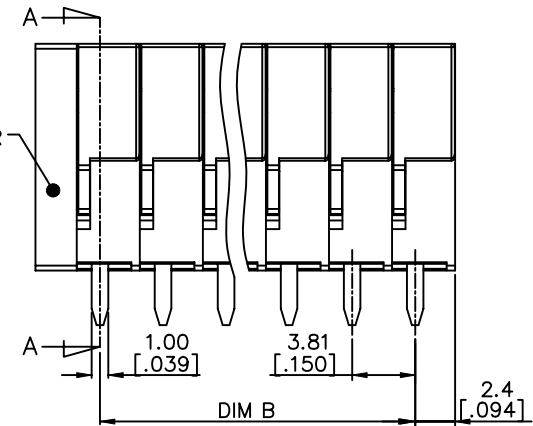
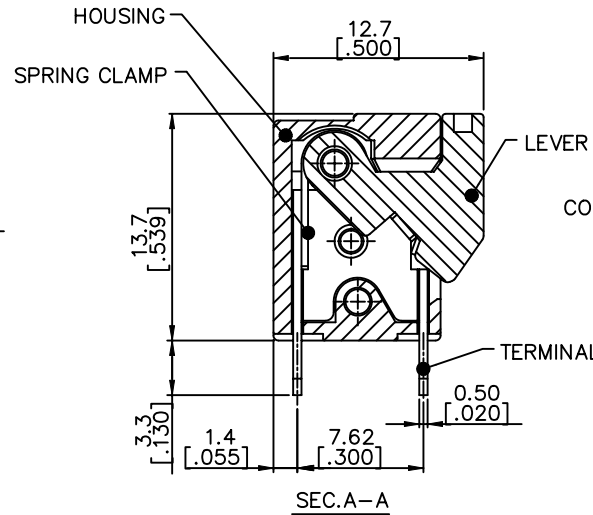
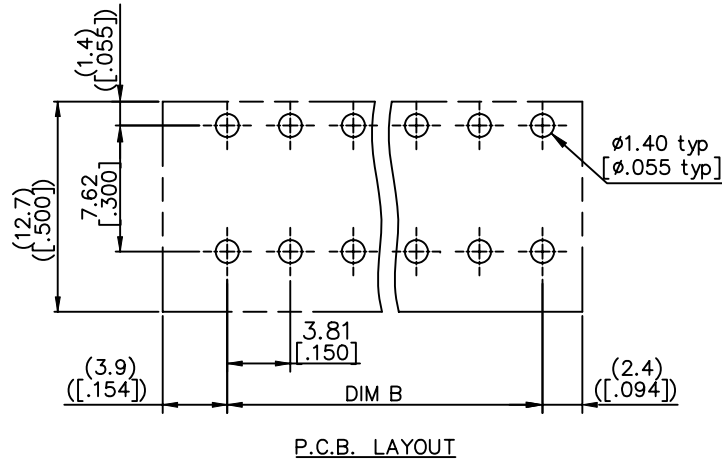
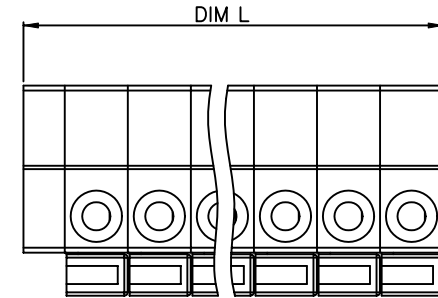
mat'l. code		surface ASME Y14.5 ✓		tolerance ASME Y14.5		projection		product family	
ltr		ecn no		dr		date		TERMINAL BLOCK	
A		T10-0191		WL		122010		title	
								TERMINAL BLOCK	
								FIXED SIGNAL PLUG, VERTICAL WIRE INLET	
								scale	
								dwg no	
								sheet 1 of 4 size	
								20020302	
								A4	
								type	
								CUSTOMER Drawing	
sheet index		revision		A		A		A	
		sheet		1		2		3	



PRODUCT NUMBER	SERIES NAME	PITCH
20020302-DXXXXXXLF	09-381	3.81 mm

N = Number of poles
 Dim L = (N x 3.81 [.150]) + 2.50 [.098]
 Dim B = (N - 1) x 3.81 [.150]

POLES	Dim L	Dim B
2-6p	±0.15 [.006]	±0.10 [.004]
7-12p	±0.20 [.008]	±0.20 [.008]
13-18p	±0.30 [.012]	±0.25 [.010]
19-24p	±0.40 [.016]	±0.30 [.012]



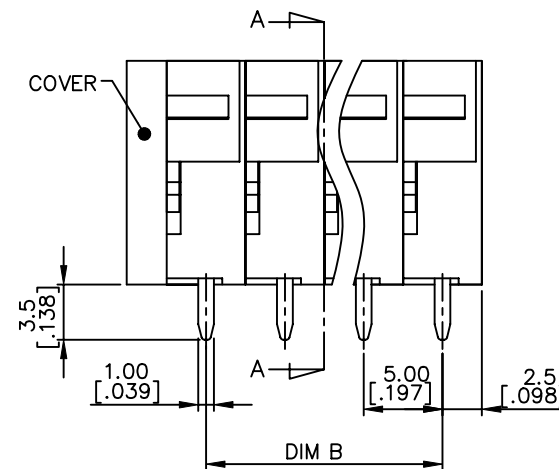
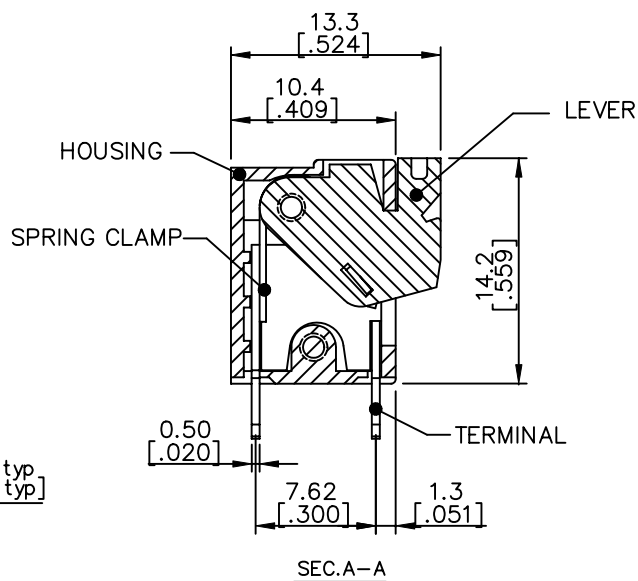
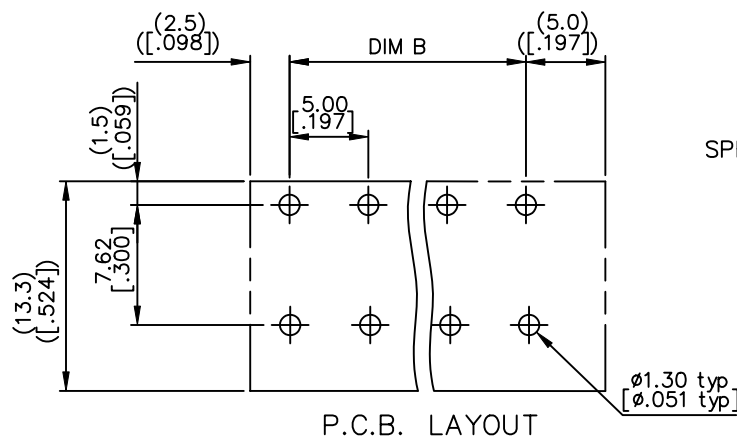
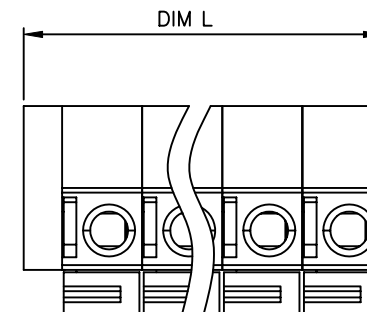
mat'l. code		surface ASME Y14.5 ✓	tolerance ASME Y14.5	projection 	product family TERMINAL BLOCK
ltr	ecn no	dr	date	title TERMINAL BLOCK FIXED SIGNAL PLUG, VERTICAL WIRE INLET	
A				angles X ± 1°	scale MM [INCH]
				vertical X.X ± 0.5	 dwg no 20020302 sheet 2 of 4 size A4 type CUSTOMER Drawing
				horizontal X.X ± 0.3	
				total X.XX ± 0.1	
				dr WENDY CHEN 110910 engr JASON HSU 110910 chr JASON HSU 110910 appd JASON HSU 110910	
sheet index	revision sheet				



PRODUCT NUMBER	SERIES NAME	PITCH
20020302-GXXXXXXLF	09-500	5.00 mm

N = Number of poles
 Dim L = (N x 5.0 [.197]) + 2.54 [.100]
 Dim B = (N - 1) x 5.0 [.197]

POLES	Dim L	Dim B
2-6p	±0.15 [.006]	±0.10 [.004]
7-12p	±0.20 [.008]	±0.20 [.008]
13-18p	±0.30 [.012]	±0.25 [.010]
19-24p	±0.40 [.016]	±0.30 [.012]



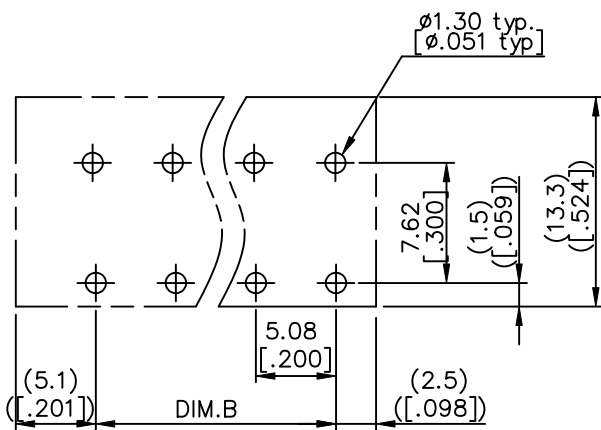
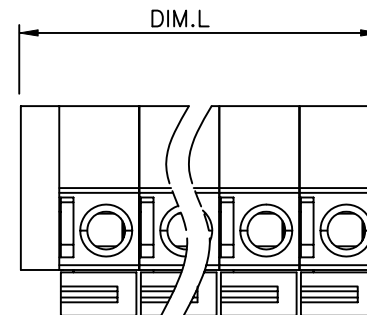
mat'l. code		surface ASME Y14.5	tolerance ASME Y14.5	projection 	product family TERMINAL BLOCK
ltr	ecn no	dr	date	title	
tolerances unless otherwise specified				 MM [INCH]	TERMINAL BLOCK FIXED SIGNAL PLUG, VERTICAL WIRE INLET
angles		X ± 0.5			
X° ± 1'		X.X ± 0.3			
scale		X.XX ± 0.1		scale	
dr		WENDY CHEN	110910	dwg no	
enr		JASON HSU	110910	sheet 3 of 4 size	
chr		JASON HSU	110910	20020302	
appd		JASON HSU	110910	A4	
sheet index		revision sheet		type	
				CUSTOMER Drawing	



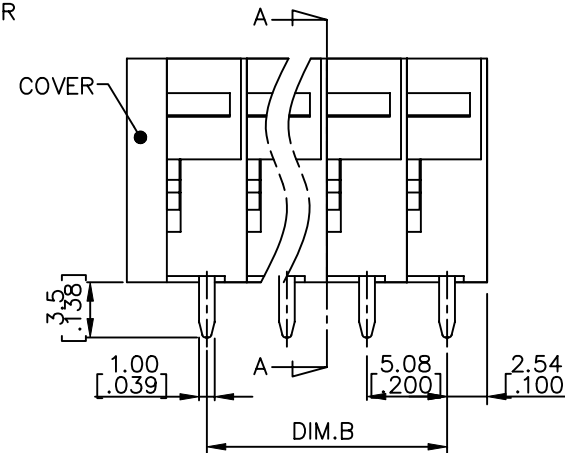
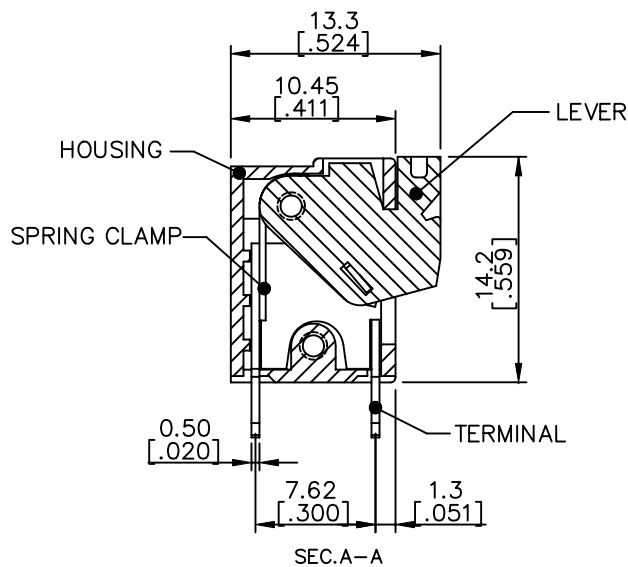
PRODUCT NUMBER	SERIES NAME	PITCH
20020302-HXXXXXLf	09-508	5.08 mm

N = Number of poles
 Dim L = (N x 5.08 [.200]) + 2.54 [.100]
 Dim B = (N - 1) x 5.08 [.200]

POLES	Dim L	Dim B
2-6p	±0.15 [.006]	±0.10 [.004]
7-12p	±0.20 [.008]	±0.20 [.008]
13-18p	±0.30 [.012]	±0.25 [.010]
19-24p	±0.40 [.016]	±0.30 [.012]



P.C.B. LAYOUT



mat'l. code	surface ASME Y14.5	tolerance ASME Y14.5	projection 	product family TERMINAL BLOCK
ltr	ecn no	dr	date	title
A				TERMINAL BLOCK FIXED SIGNAL PLUG, VERTICAL WIRE INLET
	angles	inches	MM [INCH]	scale
	X°±1'	X.XX±0.1		
	dr	WENDY CHEN	110910	FCI
	enr	JASON HSU	110910	dwg no
	chr	JASON HSU	110910	20020302
	appd	JASON HSU	110910	sheet 4 of 4 size A4
sheet index	revision sheet			type CUSTOMER Drawing

X-ON Electronics

Largest Supplier of Electrical and Electronic Components

Click to view similar products for [Fixed Terminal Blocks](#) category:

Click to view products by [Amphenol](#) manufacturer:

Other Similar products are found below :

[00175550202](#) [MBE-1512](#) [MBE-1520](#) [MBE-154](#) [MBE-156](#) [MBES-1510](#) [MBES-153](#) [MBES-156](#) [MH-2512](#) [MHE-132](#) [MHE-133](#) [MHE-163](#)
[MI-254 \(35\)](#) [MI-272](#) [8739](#) [880507](#) [880508](#) [MPT-275](#) [1546551-6](#) [ELM023100](#) [ELM10110G](#) [ELVD12100](#) [BA311TU](#) [BA411SU](#) [MV-152](#)
[MV-253/NCNOC](#) [MV-254-D](#) [MV-255](#) [MV-462](#) [MV-472](#) [MV-493](#) [MVE-252](#) [MVE-253](#) [MVE-258](#) [MVE-273](#) [MVEB-153](#) [1700096](#)
[1702246](#) [1705142](#) [1712417](#) [1713020](#) [1713088](#) [1776118-2](#) [1790852](#) [1-796689-8](#) [1-796692-6](#) [1800001](#) [1800114](#) [1823215](#) [1838462](#)