

PRODUCT NUMBER
20020316-XXXXXXLF

20020316- [] [] [] [] [] 0 [] L F

PITCH
G: 5.00 mm
H: 5.08 mm

POLES
02: 2 POLES
03: 3 POLES
04: 4 POLES
24: 24 POLES

LF : DENOTED RoHS COMPATIBLE
1 : STANDARD PRODUCT
W/ BOX PACKING

SCREW CODE

CODE	SCREW TYPE	AVAILABILITY
A	-/+	ON REQUEST ONLY
B	-	STANDARD

PROPERTY TABLE			
FCI SERIES NAME		21-500	21-508
PITCH (mm)		5.00	5.08
VOLTAGE RATING (VAC)		300	300
CURRENT RATING (A)		16	16
APPLICABLE WIRE RANGE (AWG)	1-WIRE	12~28	12~28
	2-WIRE	18~28	18~28
WIRE CROSS SECTION (mm ²)	SOLID	1-WIRE	2.5
		2-WIRE	1
	STRANDED	1-WIRE	1.5
		2-WIRE	0.75
OPENING CONTACT HOUSING(mm)		2.1*2.7	2.1*2.7
WIRE STRIP LENGTH(mm)		6~7	6~7
TORQUE +/-10% (N-m/Lb-in)		0.40/3.5	0.40/3.5
SCREW		M3x0.5	M3x0.5
WITHSTANDING VOLTAGE (kV)		1.6	1.6
OPERATING TEMP. (°C)		-40~+115	-40~+115
SOLDERING TEMP. (°C)		250±10 (5 sec.)	250±10 (5 sec.)
POLES AVAILABLE		02~24	02~24
SAFETY CERTIFICATE		PENDING	

HOUSING CODE

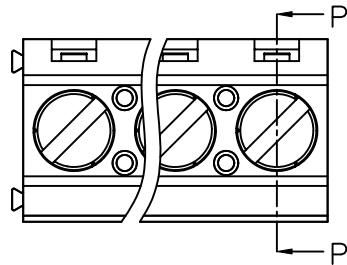
CODE	COLOR	AVAILABILITY
1	GREEN(RAL 6018/T)	STANDARD
2	BLACK	ON REQUEST ONLY
3	GREY(RAL 7004/P)	ON REQUEST ONLY
4	BLUE(RAL 5015/A)	ON REQUEST ONLY

NOTES:

- MATERIALS
1-1 HOUSING: THERMALPLASTIC RESIN, UL 94V-0 RATED.
1-2 SCREW: STEEL, ZINC PLATED.
1-3 CLAMP: COPPER ALLOY, NICKEL PLATED.
1-4 TERMINAL: COPPER ALLOY, TIN PLATED.
2. PRODUCTION SPECIFICATION REFER TO FCI GS-12-625.
3. BOXED PACKAGING.
DETAILED PRODUCT PACKING SPECIFICATION REFER TO FCI GS-14-1394.
4. FCI, SAFETY CERTIFICATE LOGO AND SERIES NAME TO BE SHOWN ON PRODUCT SURFACE.
5. THE PRODUCTS WHERE THE PART NUMBER END IN "LF" MEET THE EUROPEAN UNION DIRECTIVE AND OTHER COUNTRY REGULATIONS AS DESCRIBED IN GS-22-008.
6. RECOMENDED SOLDERING PROCESS BY WAVE SOLDER.

mat'l. code		surface ASME Y14.5 ✓		tolerance ASME Y14.5		projection		product family	
litr		ecn no	dr	date		tolerances unless otherwise specified		TERMINAL BLOCK	
D	T10-0042	WL	030310	angles		X.±0.5[.020]		title	
E	T10-0083	WL	062210	to 1°		X.X±0.3[.012]		TERMINAL BLOCK	
F	T10-0159	WL	100410	X*±1°		X.XX±0.1[.004]		FIXED HORIZONTAL WIRE INLET	
G	T10-0187	WL	121410	dr	BEER FU	062509		dwg no	
H	T-004746	WL	072011	enr	BEER FU	062509		sheet 1 of 3 size	
				chr	GARY HSIEH	062509		20020316	
				appd	JOSEPH HSIA	062509		A4	
sheet index		revision sheet		H	H	H	type		
				1	2	3	CUSTOMER Drawing		

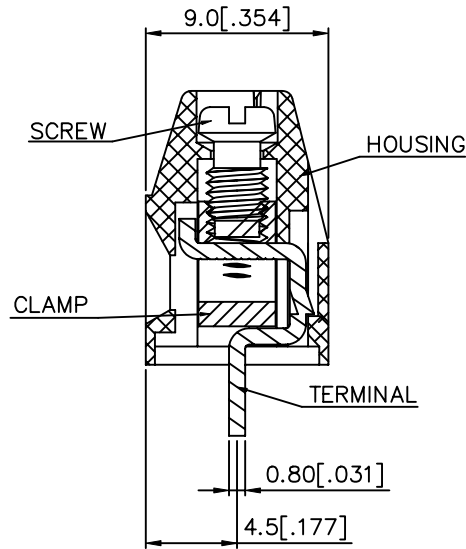
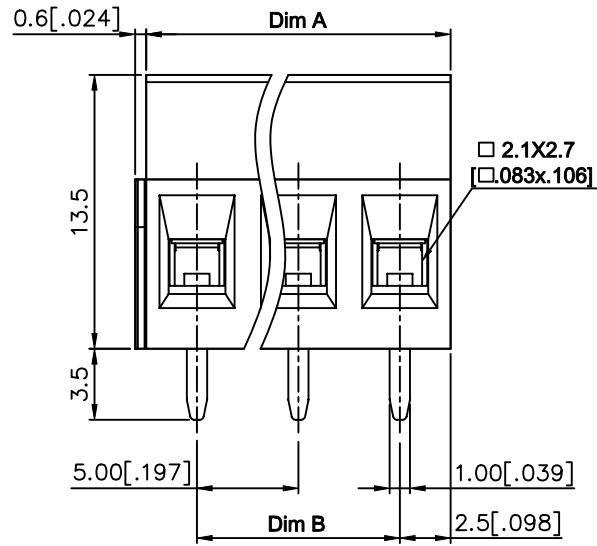
PRODUCT NUMBER	SERIES NAME	PITCH
20020316-GXXXXXXLF	21-500	5.00 mm



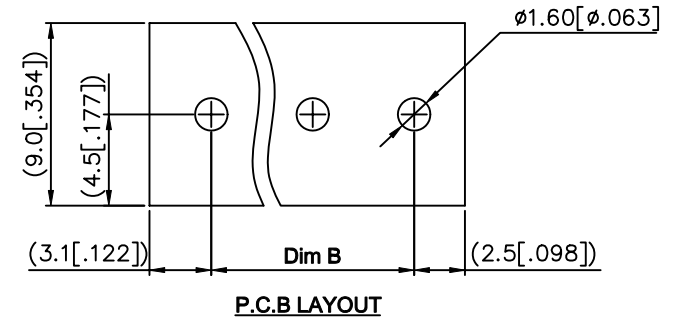
N=NUMBER OF POLES

Dim A	$N * 5.0 [.197]$
Dim B	$(N - 1) * 5.0 [.197]$

POLES	TOLERANCE
2p-6p	$\pm 0.15 [.006]$
7p-12p	$\pm 0.25 [.010]$
13p-16p	$\pm 0.35 [.014]$
17p-24p	$\pm 0.40 [.016]$



SECTION P-P

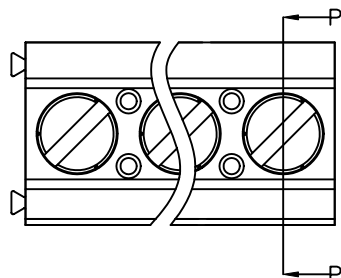


P.C.B LAYOUT

mat'l. code		surface ASME Y14.5	tolerance ASME Y14.5	projection 	product family TERMINAL BLOCK
ltr	ecn no	dr	date	title	
H				TERMINAL BLOCK FIXED HORIZONTAL WIRE INLET	
angles		in	out	MM INCH	scale
X°±1'		X.X±0.5[.020]	X.X±0.3[.012]		
		X.XX±0.1[.004]			
dr	BEER FU	062509			dwg no 20020316 sheet 2 of 3 size A4
enr	BEER FU	062509			
chr	GARY HSIEH	062509			
appd	JOSEPH HSIA	062509			
sheet index	revision sheet				type CUSTOMER Drawing



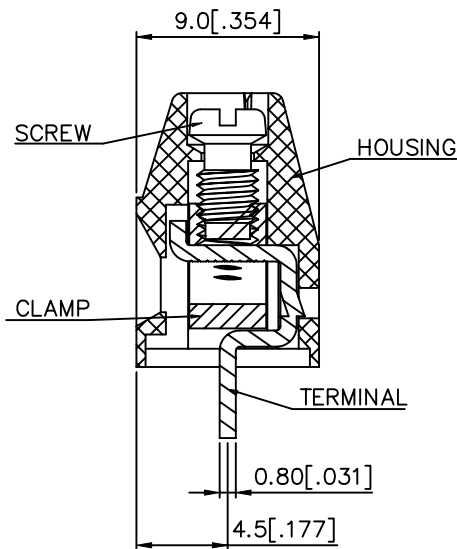
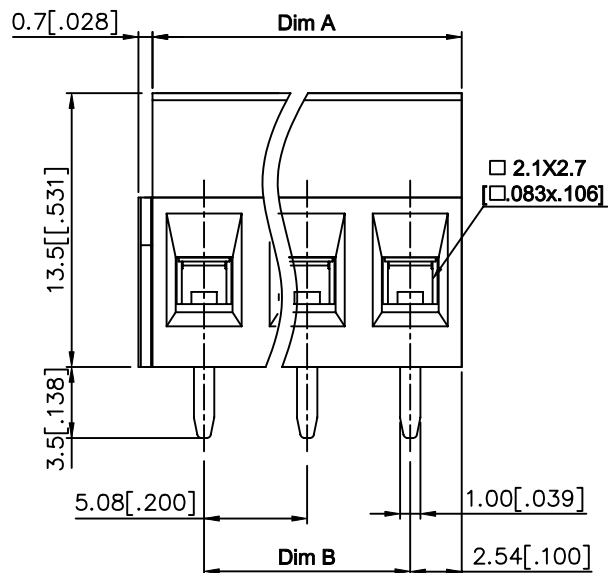
PRODUCT NUMBER	SERIES NAME	PITCH
20020316-HXXXXXXLF	21-508	5.08 mm



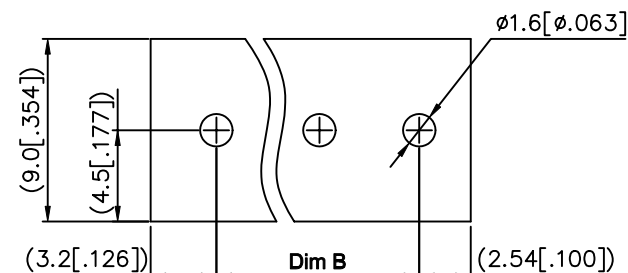
N=NUMBER OF POLES

Dim A	$N * 5.08 [.200]$
Dim B	$(N - 1) * 5.08 [.200]$

POLES	TOLERANCE
2p-6p	$\pm 0.15 [.006]$
7p-12p	$\pm 0.25 [.010]$
13p-16p	$\pm 0.35 [.014]$
17p-24p	$\pm 0.40 [.016]$



SECTION P-P



P.C.B LAYOUT

mat'l. code		surface ASME Y14.5	tolerance ASME Y14.5	projection 	product family TERMINAL BLOCK	
ltr	ecn no	dr	date	title TERMINAL BLOCK FIXED HORIZONTAL WIRE INLET		
H		angles X ± 0.5 [.020] X.X ± 0.3 [.012] X.XX ± 0.1 [.004]		MM [INCH]	scale	
dr		BEER FU	062509		sheet 3 of 3	
enr		BEER FU	062509		20020316	A4
chr		GARY HSIEH	062509		type CUSTOMER Drawing	
appd		JOSEPH HSIA	062509			
sheet index	revision sheet					

X-ON Electronics

Largest Supplier of Electrical and Electronic Components

Click to view similar products for [Fixed Terminal Blocks](#) category:

Click to view products by [Amphenol](#) manufacturer:

Other Similar products are found below :

[MBE-1512](#) [MBE-154](#) [MBE-156](#) [MBES-153](#) [MBES-156](#) [MH-2512](#) [MHE-132](#) [MHE-163](#) [MI-254 \(35\)](#) [MI-272](#) [880507](#) [MPT-275](#)
[15602-04-08-21](#) [BA311TU](#) [BA411SU](#) [MV-152](#) [MV-252-D](#) [MV-253/NCNOC](#) [MV-254-D](#) [MV-255](#) [MV-462](#) [MV-493](#) [MVE-252](#) [MVE-253](#)
[MVE-273](#) [MVEB-153](#) [1700096](#) [1705142](#) [1745195](#) [1760594](#) [1776118-2](#) [1-796689-8](#) [1-796692-6](#) [20020314-C121B01LF](#) [CB2-12](#)
[KP03215000J0G](#) [KP04215000J0G](#) [S451](#) [282802-2](#) [29.007](#) [29.116](#) [30.103](#) [30.106](#) [30.252](#) [30.503](#) [30.608](#) [30.753](#) [30.755](#) [30.756](#) [30.853](#)