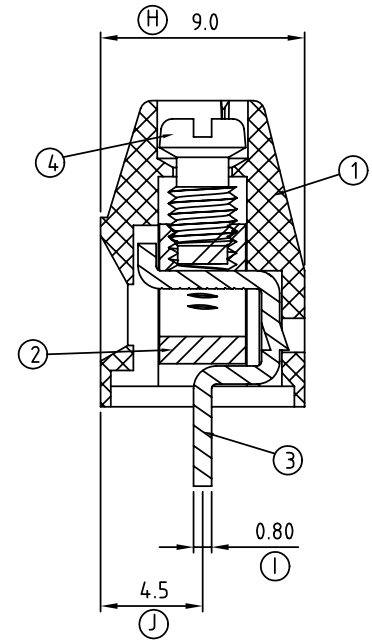
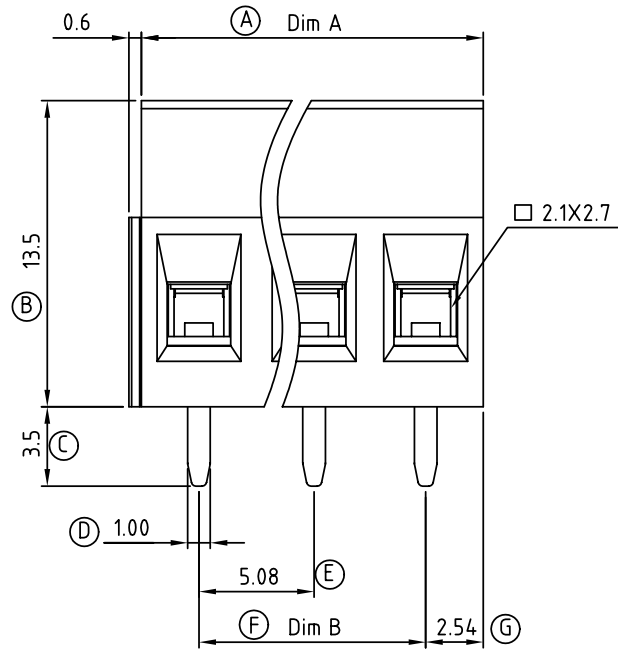


P.C.B LAYOUT



N=Number of contacts

Poles	02	03	04	05	06	07	08	09	10	11	12	13	
Dim A			20.32	25.40	30.48	35.56	40.64	45.72	50.80	55.88	60.96	66.04	
Dim B			15.24	20.32	25.40	30.48	35.56	40.64	45.72	50.80	55.88	60.96	
TOL	±0.10				±0.15				±0.20				
Poles	14	15	16	17	18	19	20	21	22	23	24		
Dim A	71.12	76.20	81.28	86.36	91.44	96.52	101.60	106.68	111.76	116.84	121.92		
Dim B	66.04	71.12	76.20	81.28	86.36	91.44	96.52	101.60	106.68	111.76	116.84		
TOL	±0.20		±0.25				±0.30						

SIGN	DATE	DESCRIPTION	APPROVER
△	09/16/09	Poles is changed from 2p-24p to 4p-24p	Aaron
△	09/16/09	Drawing NO. is changed from 8VI0137 to 8VI0302	Aaron
△			

THIS IS CAD DRAWING, DO NOT REVISE MANUALLY!!!

Material:

- Item 1 Terminal housing: Thermoplastic (UL 94V-0)
- Item 2 Clamp: Brass ,Ni plated
- Item 3 Wire guard solder pin: Brass ,Tin plated
- Item 4 Terminal screw: Steel Zinc plating"- "slot type

Electrical cULus

- Voltage rating: 300VAC
- Current rating: 16A
- Wire range:
- Solid wire(AWG): 12-28
- Stranded wire(AWG): 12-28
- Torque: 3.5Lb-In
- Screw: M3
- Wire strip length: 6-7mm
- Withstanding Voltage: 1.6KV
- Operating temperature: -40°C to +115°C
- Soldering temperature: 250°C±10°C/5 Sec
- Safety Approval:

VI xx 21 x 5 xxxx G

△ 04	4 CONTACTS	0	Black	0000:"@ "Logo (Standard)	Pb < 40,000ppm
05	5 CONTACTS	5	Green	000A:"ANYTEK"Logo	(RoHS)
...	...	6	Blue	Any special item by	
24	24 CONTACTS	8	Light Grey	customer request,	
				please contact sales	
				department.	

ANYTEK

CUSTOMER COPY

ALL RIGHTS RESERVED. REPRODUCTION OR ISSUE TO THIRD PARTIES IN ANY FORM WHATSOEVER IS NOT PERMITTED WITHOUT WRITTEN AUTHORITY FROM THE PROPRIETOR. PROPERTY OF ANYTEK TECHNOLOGY CO., LTD

TITLE		VI 5.08 SERIES 4P-24P 180° wire inlet (without cover) Horizontal-solid block △					
PART NO.		VIxx21x5xxxxG		DWG NO.		8VI0302 △	
APPROVED	CHECKED	DESIGNED	DRAWN	CUST NO.		Tolerance	
		Aaron	Aaron			X. ±0.50	
		2009.09.16	2009.09.16			X.X ±0.30	
						UNIT: mm	
						SCALE: NONE	
				SHEET: 01/01		REV.: C	
						X.XX ±0.10	
						X° ±1°	

X-ON Electronics

Largest Supplier of Electrical and Electronic Components

Click to view similar products for [Fixed Terminal Blocks](#) category:

Click to view products by [Amphenol](#) manufacturer:

Other Similar products are found below :

[MBE-1512](#) [MBE-154](#) [MBE-156](#) [MBES-153](#) [MBES-156](#) [MH-2512](#) [MHE-132](#) [MHE-163](#) [MI-254 \(35\)](#) [MI-272](#) [880507](#) [MPT-275](#)
[15602-04-08-21](#) [BA311TU](#) [BA411SU](#) [MV-152](#) [MV-252-D](#) [MV-253/NCNOC](#) [MV-254-D](#) [MV-255](#) [MV-462](#) [MV-493](#) [MVE-252](#) [MVE-253](#)
[MVE-273](#) [MVEB-153](#) [1700096](#) [1705142](#) [1745195](#) [1760594](#) [1776118-2](#) [1-796689-8](#) [1-796692-6](#) [20020314-C121B01LF](#) [CB2-12](#)
[KP03215000J0G](#) [KP04215000J0G](#) [S451](#) [282802-2](#) [29.007](#) [29.116](#) [30.103](#) [30.106](#) [30.252](#) [30.503](#) [30.608](#) [30.753](#) [30.755](#) [30.756](#) [30.853](#)