



PRODUCT NUMBER
20020516-MXXXXXLF

20020516 — □ □ □ □ □ ○ □ L F

PITCH  
M: 7.62 mm

POLES  
02: 2 POLES  
03: 3 POLES  
04: 4 POLES  
24: 24 POLES

LF : DENOTED RoHS COMPATIBLE  
1 : STANDARD PRODUCT  
W/ BOX PACKING

SCREW CODE

PROPERTY TABLE			
FBI SERIES NAME	04-762		
PITCH (mm)	7.62		
VOLTAGE RATING (VAC)	300		
CURRENT RATING (A)	32		
APPLICABLE WIRE RANGE (AWG)	1-WIRE	8~24	
	2-WIRE	14	
WIRE CROSS SECTION (mm <sup>2</sup> )	SOLID	1-WIRE	10
		2-WIRE	2.5
	STRANDED	1-WIRE	6
		2-WIRE	4
OPENING CONTACT HOUSING(mm <sup>2</sup> )	3.6x4.1		
WIRE STRIP LENGTH(mm)	10~11		
TORQUE +/-10% (N-m/Lb-in)	0.79/7.0		
SCREW	M3.5x0.5		
WITHSTANDING VOLTAGE (kV)	1.6		
OPERATING TEMP. (°C)	-40~+115		
SOLDERING TEMP. (°C)	250±10 (5 sec.)		
POLES AVAILABLE	02~16		
SAFETY CERTIFICATE			

CODE	SCREW TYPE	AVAILABILITY
A	-/+	ON REQUEST ONLY
B	-	STANDARD

HOUSING CODE

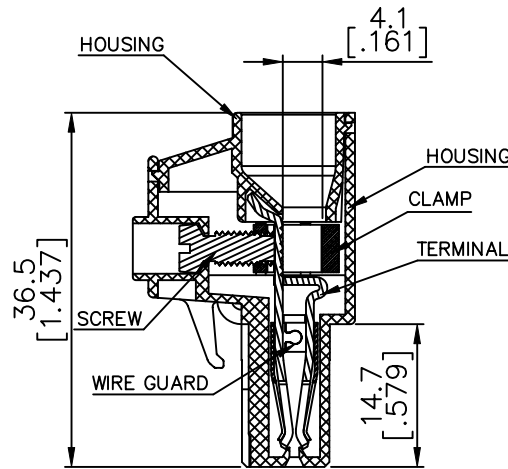
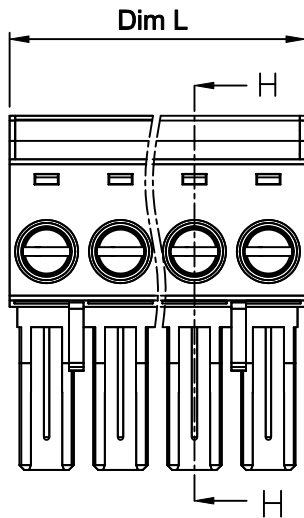
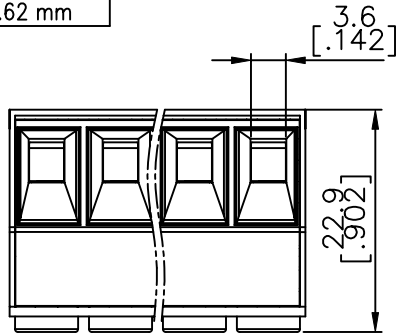
CODE	COLOR	AVAILABILITY
1	GREEN(RAL 6018/T)	STANDARD
2	BLACK	ON REQUEST ONLY
3	GREY(RAL 7004/P)	ON REQUEST ONLY
4	BLUE(RAL 5015/A)	ON REQUEST ONLY

NOTES:

- MATERIALS  
 1-1 HOUSING: THERMALPLASTIC RESIN, UL 94V-0 RATED.  
 1-2 SCREW: STEEL, ZINC PLATED.  
 1-3 CLAMP: COPPER ALLOY, NICKEL PLATED.  
 1-4 TERMINAL: COPPER ALLOY, TIN PLATED.  
 1-5 WIRE GUARD: STAINLESS STEEL.  
 2. PRODUCTION SPECIFICATION REFER TO FCI GS-12-625.  
 3. BOXED PACKAGING.  
 DETAILED PRODUCT PACKING SPECIFICATION REFER TO FCI GS-14-1394.  
 4. FCI, SAFETY CERTIFICATE LOGO AND SERIES NAME TO BE SHOWN ON PRODUCT SURFACE.  
 5. THE PRODUCTS WHERE THE PART NUMBER END IN "LF" MEET THE EUROPEAN UNION DIRECTIVE AND OTHER COUNTRY REGULATIONS AS DESCRIBED IN GS-22-008.

mat'l. code				surface ASME Y14.5 ✓ / tolerance ASME Y14.5		projection		product family TERMINAL BLOCK	
ltr				ecn no		dr		date	
A				DG09-0203		BF		062509	
B				T09-1148		BF		111709	
C				T09-1152		BF		112809	
D				T10-0042		WL		030310	
E				T10-0159		WL		100410	
F				T10-0187		WL		121410	
G				T-004746		WL		072211	
sheet				revision		G		G	
index				sheet		1		2	
angles				tolerances unless otherwise specified		scale		type	
X±1°				X.±0.5[.020]		MM		CUSTOMER Drawing	
X.X±0.3[.012]				X.X±0.1[.004]		[INCH]		20020516	
dr				BEER FU		062509		A4	
enr				BEER FU		062509			
chr				GARY HSIEH		062509			
appd				JOSEPH HSIA		062509			
dwg no				sheet 1 of 2		size			
20020516									

PRODUCT NUMBER	SERIES NAME	PITCH
20020516-MXXXXXLF	04-762	7.62 mm

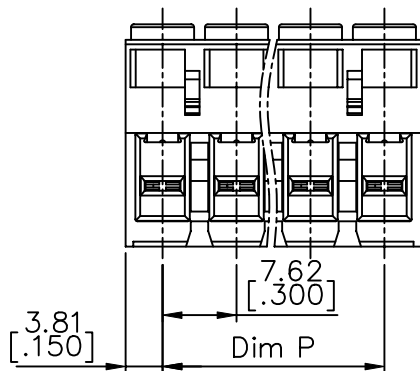


N= NUMBER OF POLES  
DIMENSION

Dim L	$N * 7.62 [ .300 ]$
Dim P	$(N - 1) * 7.62 [ .300 ]$

Poles	Tolerance
2P-4P	$\pm 0.10 [ .004 ]$
5P-8P	$\pm 0.20 [ .008 ]$
9P-12P	$\pm 0.30 [ .012 ]$
13P-16P	$\pm 0.40 [ .016 ]$

SECTION H-H



mat'l. code	surface ASME Y14.5 ✓	tolerance ASME Y14.5	projection 	product family TERMINAL BLOCK
ltr	ecn no	dr	date	title
G				TERMINAL BLOCK PLUGABLE, PLUG, POWER, W/O FLANGE
	angles	in	tolerances unless otherwise specified	scale
			X. $\pm 0.5 [ .020 ]$	MM
			X.X $\pm 0.3 [ .012 ]$	[INCH]
			X* $\pm 1$	X.XX $\pm 0.1 [ .004 ]$
dr	BEER FU	062509		scale
enr	BEER FU	062509		dwg no
chr	GARY HSIEH	062509		sheet 2 of 2 size
app	JOSEPH HSIA	062509		20020516 A4
sheet index	revision sheet			type CUSTOMER Drawing

## X-ON Electronics

Largest Supplier of Electrical and Electronic Components

*Click to view similar products for [Pluggable Terminal Blocks](#) category:*

*Click to view products by [Amphenol](#) manufacturer:*

Other Similar products are found below :

[57.510.0053](#) [MC 1.5/ 6-ST-3.5 GY AU](#) [734-104](#) [734-302](#) [8-141-P](#) [8426620000](#) [860505](#) [860810](#) [GBPACX-12](#) [93.731.4953.0](#) [PV05-5,08-K](#)  
[PVP04-3,50](#) [PVS02-5,00](#) [1-1986160-3](#) [1377680000](#) [1531000000](#) [1546228-5](#) [ELFH16150](#) [ELFP03110](#) [ELFP10210](#) [ELFT06250](#)  
[ELVP03100](#) [1700410](#) [1700425](#) [1702246](#) [1717806](#) [1719600](#) [1734692](#) [1734795](#) [1740291](#) [1752441](#) [1752865](#) [1754144](#) [1760051](#) [1760336](#)  
[1777701](#) [1783410](#) [1800227](#) [1801080](#) [1836888](#) [1848818](#) [1849079](#) [1860870](#) [1876327](#) [1896417](#) [1903096](#) [19346](#) [1946309](#) [1970579](#) [1973592](#)