



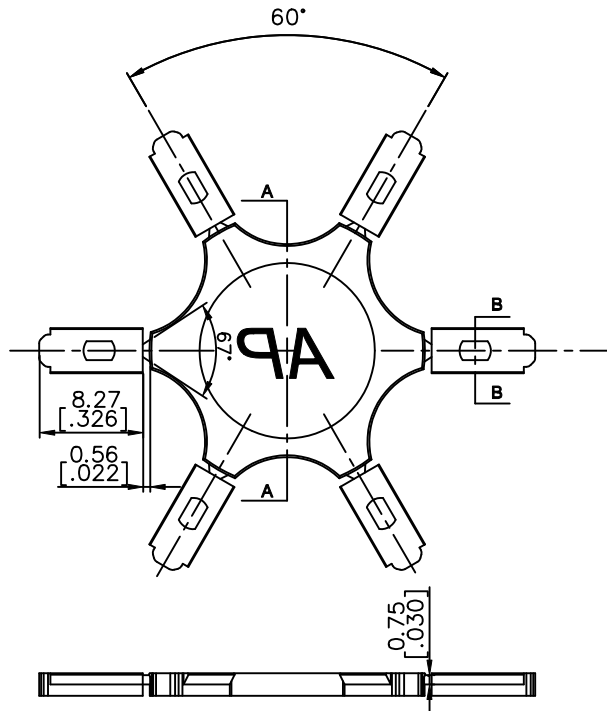
PRODUCT NUMBER
20020802-001LF

NOTES:

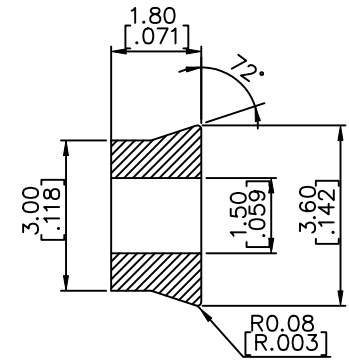
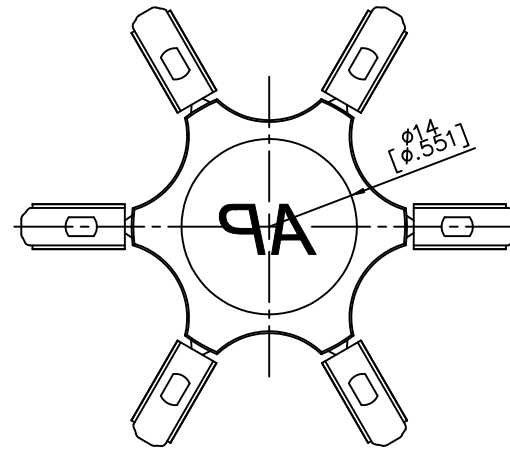
1. MATERIALS
HOUSING: THERMALPLASTIC RESIN, UL 94V-0 RATED.
2. PRODUCT PACKING SPECIFICATION REFER TO FCI GS-14-1394.
3. THE PRODUCTS WHERE THE PART NUMBER END IN "LF" MEET THE EUROPEAN UNION DIRECTIVE AND OTHER COUNTRY REGULATIONS AS DESCRIBED IN GS-22-008.

20020802-001LF CAN BE USED FOR BELOW LIST:

FCI series name	P/N	FCI series name	P/N
27-762	20020518-MXXXXXXLF	28-1016	20020520-UXXXXXXLF
	20020519-MXXXXXXLF		20020521-UXXXXXXLF
07-762	20020618-MXXXXXXLF	29-1016	20020623-UXXXXXXLF
	20020619-MXXXXXXLF		20020624-UXXXXXXLF
	20020620-MXXXXXXLF		20020625-UXXXXXXLF
	20020621-MXXXXXXLF		20020626-UXXXXXXLF
20020622-MXXXXXXLF	20020627-UXXXXXXLF		
20020516-MXXXXXXLF	20020628-UXXXXXXLF		
04-762	20020517-MXXXXXXLF		



Sec. A-A



Section B-B

mat'l. code		surface ASME Y14.5		tolerance ASME Y14.5		projection		product family TERMINAL BLOCK	
ltr	ecn no	dr	date	tolerances unless otherwise specified		MM INCH		title	
A	T10-0126	WL	080910	angles	X.±0.5	scale		TERMINAL BLOCK CODING KEY (AP SERIES)	
B	T10-0182	WL	112910	int	X.X±0.3			dwg no	
C	T11-0009	WL	021411	X'±1'	X.XX±0.1			sheet 1 of 5	
D	T-006380	WL	092911	dr	WENDY CHEN	071410		size A4	
				enr	JASON HSU	071410		20020802	
				chr	GARY HSIEH	071410		type	
				appd	JOSEPH HSIA	071410		CUSTOMER Drawing	
sheet index	revision	D	D	D	D	D	D		
	sheet	1	2	3	4	5			



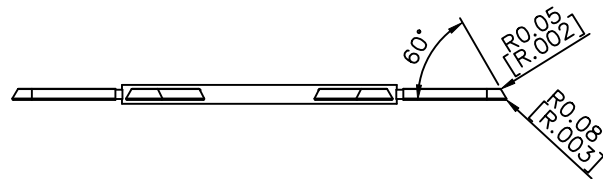
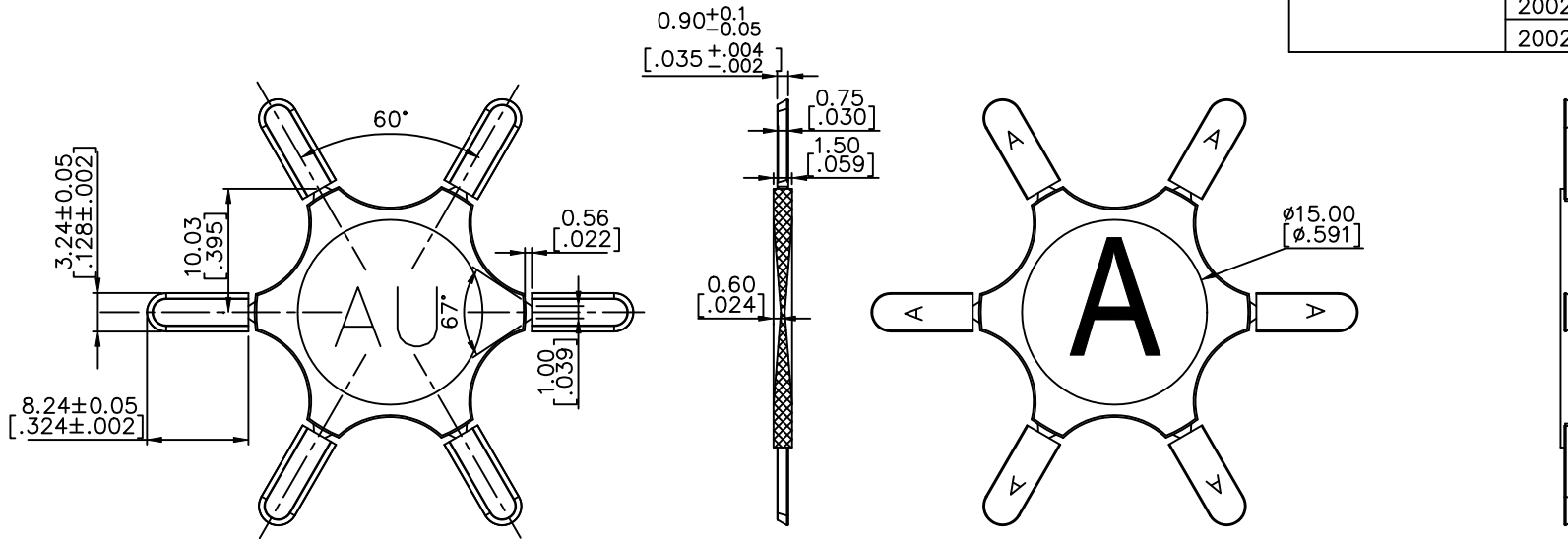
PRODUCT NUMBER
20020802-003LF

NOTES:

1. MATERIALS
HOUSING: THERMALPLASTIC RESIN, UL 94V-0 RATED.
2. PRODUCT PACKING SPECIFICATION REFER TO FCI GS-14-1394.
3. THE PRODUCTS WHERE THE PART NUMBER END IN "LF" MEET THE EUROPEAN UNION DIRECTIVE AND OTHER COUNTRY REGULATIONS AS DESCRIBED IN GS-22-008.

20020802-003LF CAN BE USED FOR BELOW LIST:

FCI series name	P/N
01-500	20020003-GXXXXXXLF
	20020006-GXXXXXXLF
01-508	20020003-HXXXXXXLF
	20020006-HXXXXXXLF
35-500	20020034-GXXXXXXLF
	20020037-GXXXXXXLF
35-508	20020034-HXXXXXXLF
	20020036-HXXXXXXLF
	20020037-HXXXXXXLF
	20020039-HXXXXXXLF



mat'l. code		surface ASME Y14.5 ✓	tolerance ASME Y14.5	projection [Symbol]	product family TERMINAL BLOCK	
ltr	ecn no	dr	date	tolerances unless otherwise specified		title
D				angles X±0.5	MM [INCH]	TERMINAL BLOCK CODING KEY (AE SERIES)
				linear X.X±0.3		
				X°±1'	scale	
		dr	WENDY CHEN 071410		dwg no 20020802	sheet 3 of 5 size A4
		enr	JASON HSU 071410			
		chr	GARY HSIEH 071410			
		appd	JOSEPH HSIA 071410			
sheet index	revision sheet					type CUSTOMER Drawing



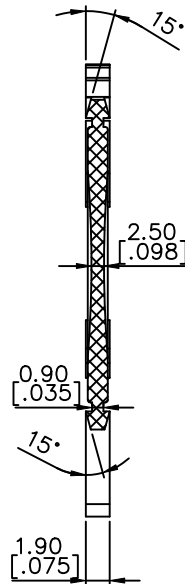
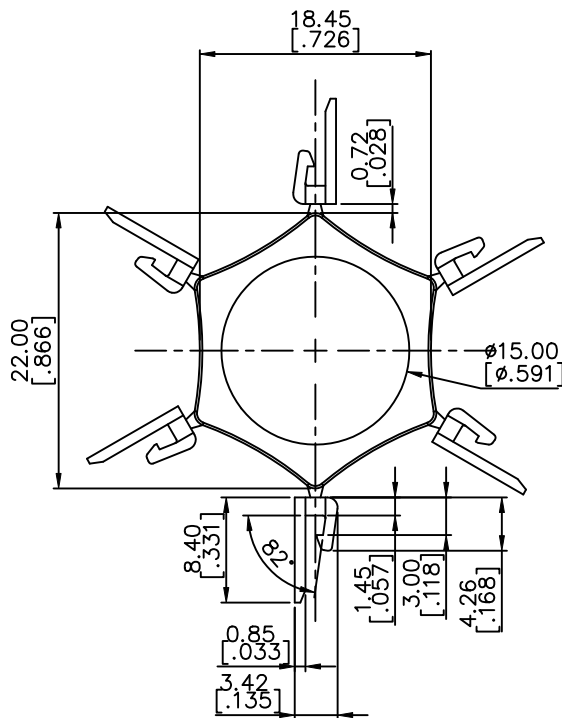
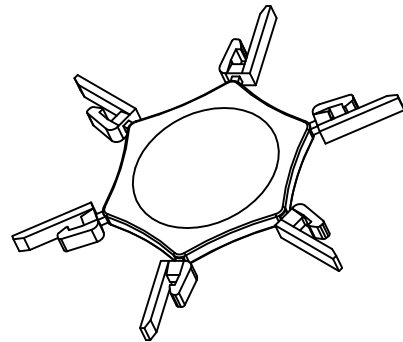
PRODUCT NUMBER
20020802-004LF

NOTES:

- MATERIALS
HOUSING: THERMALPLASTIC RESIN, UL 94V-0 RATED.
- PRODUCT PACKING SPECIFICATION REFER TO FCI GS-14-1394.
- THE PRODUCTS WHERE THE PART NUMBER END IN "LF" MEET THE EUROPEAN UNION DIRECTIVE AND OTHER COUNTRY REGULATIONS AS DESCRIBED IN GS-22-008.

20020802-004LF CAN BE USED FOR BELOW LIST:

FCI series name	P/N	FCI series name	P/N	
06-500	20020106-GXXXXXXLF	06-762	20020606-MXXXXXXLF	
	20020107-GXXXXXXLF		20020607-MXXXXXXLF	
	20020108-GXXXXXXLF		20020608-MXXXXXXLF	
	20020109-GXXXXXXLF		20020609-MXXXXXXLF	
	20020110-GXXXXXXLF		20020610-MXXXXXXLF	
	20020111-GXXXXXXLF		20020611-MXXXXXXLF	
06-508	20020106-HXXXXXXLF	30-500	20020129-GXXXXXXLF	
	20020107-HXXXXXXLF		20020130-GXXXXXXLF	
	20020108-HXXXXXXLF		20020131-GXXXXXXLF	
	06-750	20020109-HXXXXXXLF	30-508	20020129-HXXXXXXLF
		20020110-HXXXXXXLF		20020130-HXXXXXXLF
		20020111-HXXXXXXLF		20020131-HXXXXXXLF
20020141-HXXXXXXLF				
20020606-LXXXXXXLF				
	20020607-LXXXXXXLF			
	20020608-LXXXXXXLF			
	20020609-LXXXXXXLF			
	20020610-LXXXXXXLF			
	20020611-LXXXXXXLF			



mat'l. code		surface ASME Y14.5 ✓	tolerance ASME Y14.5	projection ⊕	product family TERMINAL BLOCK	
ltr	ecn no	dr	date	tolerances unless otherwise specified		title
D				angles X±0.5	MM [INCH]	TERMINAL BLOCK CODING KEY (AF SERIES)
				X'±1"		
				dr	WENDY CHEN	071410
				enr	JASON HSU	071410
				chr	GARY HSIEH	071410
				appd	JOSEPH HSIA	071410
sheet index		revision sheet		FCI logo		dwg no 20020802
				scale		sheet 4 of 5 A4
				type		CUSTOMER Drawing



Copyright FCI.



FCIconnect.com



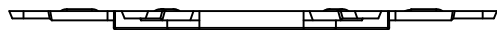
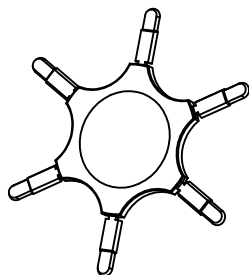
3



4

PRODUCT NUMBER
20020802-005LF

1 | 2

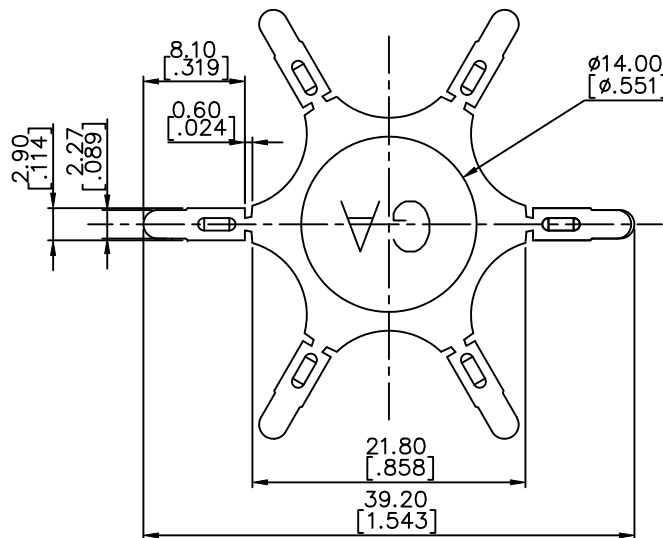
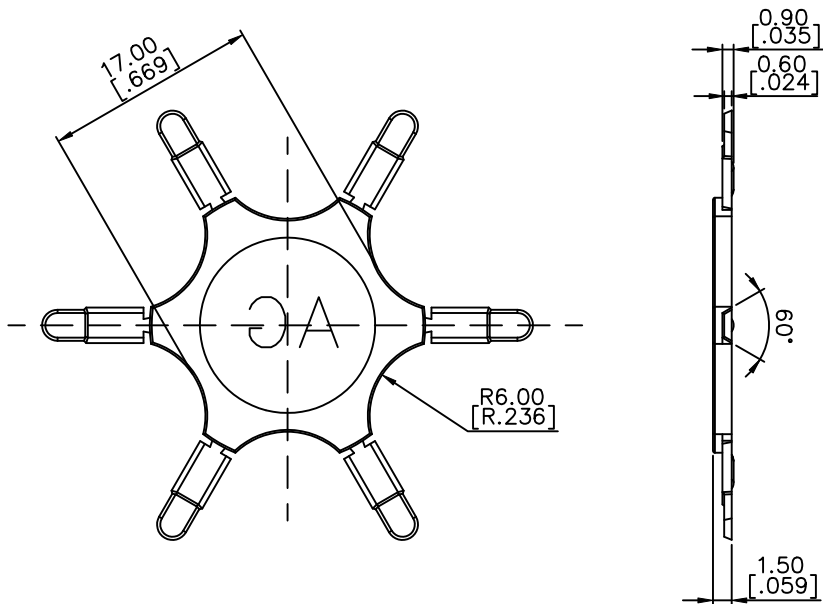


NOTES:

- 1. MATERIALS
HOUSING: THERMALPLASTIC RESIN, UL 94V-0 RATED.
- 2. PRODUCT PACKING SPECIFICATION REFER TO FCI GS-14-1394.
- 3. THE PRODUCTS WHERE THE PART NUMBER END IN "LF" MEET THE EUROPEAN UNION DIRECTIVE AND OTHER COUNTRY REGULATIONS AS DESCRIBED IN GS-22-008.

20020802-005LF CAN BE USED FOR BELOW LIST:

FCI series name	P/N
06-350	20020106-CXXXXXXLF
	20020107-CXXXXXXLF
	20020108-CXXXXXXLF
	20020109-CXXXXXXLF
	20020110-CXXXXXXLF
	20020142-CXXXXXXLF
06-381	20020106-DXXXXXXLF
	20020107-DXXXXXXLF
	20020108-DXXXXXXLF
	20020109-DXXXXXXLF
	20020110-DXXXXXXLF
	20020111-DXXXXXXLF
30-350	20020129-CXXXXXXLF
	20020130-CXXXXXXLF
	20020131-CXXXXXXLF
30-381	20020129-DXXXXXXLF
	20020130-DXXXXXXLF
	20020131-DXXXXXXLF
37-381	20020132-DXXXXXXLF
	20020133-DXXXXXXLF
	20020134-DXXXXXXLF
	20020135-DXXXXXXLF
	20020136-DXXXXXXLF
	20020137-DXXXXXXLF
	20020138-DXXXXXXLF
	20020139-DXXXXXXLF
	20020140-DXXXXXXLF



mat'l. code		surface ASME Y14.5 ✓	tolerance ASME Y14.5	projection 	product family TERMINAL BLOCK	
ltr	ecn no	dr	date	tolerances unless otherwise specified		title
D				angles X.±0.5	MM INCH	TERMINAL BLOCK CODING KEY (AG SERIES)
				X.X±0.3		
				X.XX±0.1		
		dr	WENDY CHEN 071410	scale	dwg no	sheet 5 of 5
		enr	JASON HSU 071410		20020802	A4
		chr	GARY HSIEH 071410			
		appd	JOSEPH HSIA 071410			
sheet index	revision sheet			type	CUSTOMER Drawing	

X-ON Electronics

Largest Supplier of Electrical and Electronic Components

Click to view similar products for [Terminal Block Tools & Accessories](#) category:

Click to view products by [Amphenol](#) manufacturer:

Other Similar products are found below :

[00171430102](#) [00171420102](#) [600HL](#) [600RJ-07](#) [600RJ-11](#) [600RJ-14](#) [600RJS-10](#) [600RJS-12](#) [600RJS-21](#) [601RJ-09](#) [602SP](#) [602Z](#) [604J](#)
[CSTSPC1-2](#) [7B941-7](#) [88943-2100](#) [QC102](#) [1437403-6](#) [1437403-9](#) [1437403-8](#) [1453128-1](#) [147832-1](#) [EC0037-000](#) [MT2/H--](#) [MT6/H-N](#)
[MT6/V-GRND](#) [MT8/H-51-60](#) [BC2-12](#) [BCC-1-8/10](#) [EP2.5/4UN/BG](#) [1707755](#) [1735590](#) [1755480](#) [1789281](#) [1840227](#) [1840230](#) [2-1437402-1](#)
[JA2-03](#) [JB1-03/J](#) [JB2-04](#) [JB2-05](#) [JB2-07](#) [JB2-09/J](#) [PARALLELJUMPERLINK](#) [JS601](#) [2204082](#) [2302463](#) [2305949](#) [8TK2-24](#) [8WA1853](#)