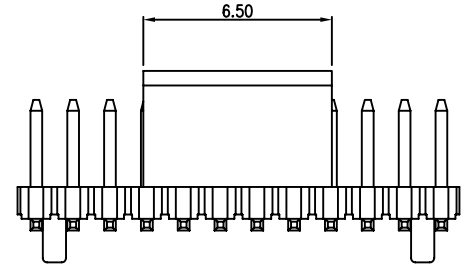
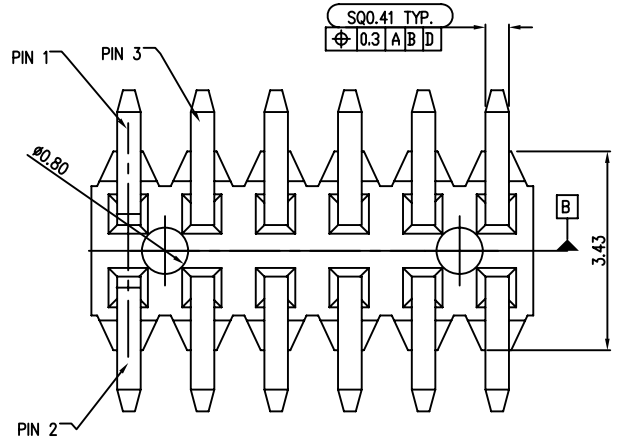
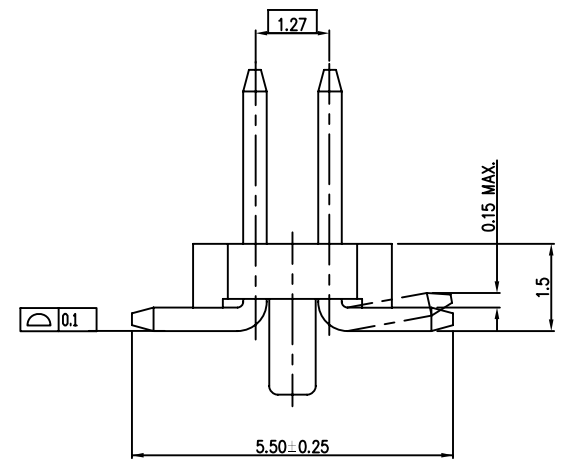
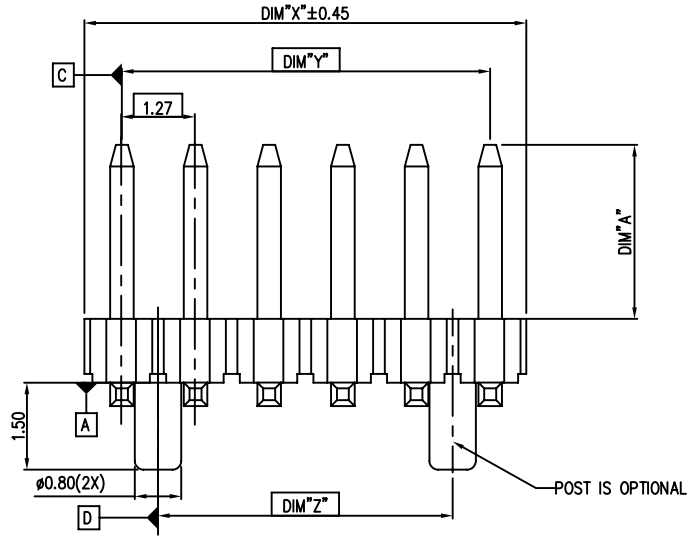
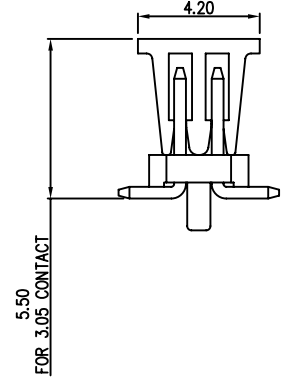


PART NO.  
20021121



SCALE 5.000  
PRODUCT WITH CAP



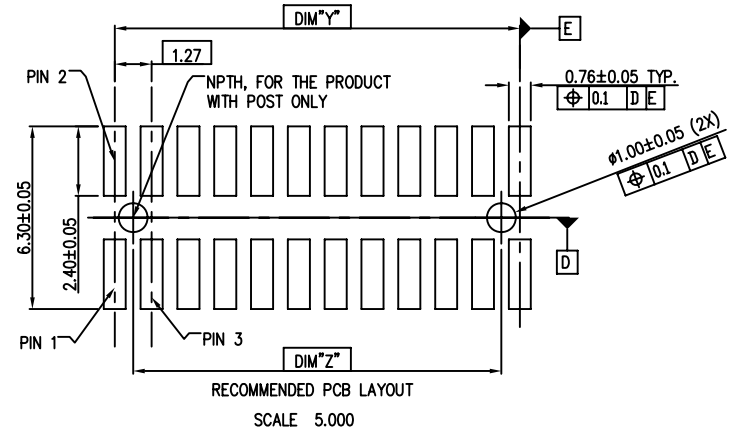
5.50  
FOR 3.05 CONTACT

- NOTES:  
 1.MATERIAL:  
 HOUSING: HIGH TEMPERATURE THERMOPLASTIC, UL94-V0 BLACK.  
 TERMINAL: COPPER ALLOY  
 2.THE HOUSING WILL WITHSTAND EXPOSURE TO 260°C PEAK TEMPERATURE FOR 10 SECONDS IN A CONVECTION INFRA-RED OR VAPOR PHASE REFLOW OVEN.  
 3.THIS PRODUCT MEETS EUROPEAN UNION DIRECTIVES AND OTHER COUNTRY REGULATIONS AS DESCRIBED IN GS-22-008.  
 4.PRODUCT SPEC: GS-12-629  
 5.PACKAGE SPEC: GS-14-1420

mat'l. code		surface		tolerance		projection		product family	
		ISO 1302 ✓		ISO 406 ISO		1101		MINITEK127®	
ltr	ecn no	dr	date	tolerances unless otherwise specified		mm		title	
L	ELX-N-23548	TIM	03/21/16	angles		linear		UNSHROUDED HDR VT SMT	
M	ELX-N-23949	TIM	04/26/16	0°±2'		.000±.10		scale 1:1	
				dr		ZK HU		8/1/12	
				eng		ZK HU		8/1/12	
				chr		BIAN RICK		8/1/12	
				app		BIAN RICK		8/1/12	
sheet index		revision sheet		M 1		M 2		Amphenol FCI	
								dwg no 20021121	
								sheet 1 of 2	
								size A3	
								type Product Customer Drawing	

PART NO.	POS.	DIM"x"	DIM"y"	DIM"z"
20021121-XOX04XXLF	2 X 2	2.54	1.27	0
20021121-XOX06XXLF	2 X 3	3.81	2.54	1.27
20021121-XOX08XXLF	2 X 4	5.08	3.81	2.54
20021121-XOX10XXLF	2 X 5	6.35	5.08	3.81
20021121-XOX12XXLF	2 X 6	7.62	6.35	5.08
20021121-XOX14XXLF	2 X 7	8.89	7.62	6.35
20021121-XOX16XXLF	2 X 8	10.16	8.89	7.62
20021121-XOX18XXLF	2 X 9	11.43	10.16	8.89
20021121-XOX20XXLF	2 X 10	12.70	11.43	10.16
20021121-XOX22XXLF	2 X 11	13.97	12.70	11.43
20021121-XOX24XXLF	2 X 12	15.24	13.97	12.70
20021121-XOX26XXLF	2 X 13	16.51	15.24	13.97
20021121-XOX28XXLF	2 X 14	17.78	16.51	15.24
20021121-XOX30XXLF	2 X 15	19.05	17.78	16.51
20021121-XOX32XXLF	2 X 16	20.32	19.05	17.78
20021121-XOX34XXLF	2 X 17	21.59	20.32	19.05
20021121-XOX36XXLF	2 X 18	22.86	21.59	20.32
20021121-XOX38XXLF	2 X 19	24.13	22.86	21.59
20021121-XOX40XXLF	2 X 20	25.40	24.13	22.86
20021121-XOX42XXLF	2 X 21	26.67	25.40	24.13
20021121-XOX44XXLF	2 X 22	27.94	26.67	25.40
20021121-XOX46XXLF	2 X 23	29.21	27.94	26.67
20021121-XOX48XXLF	2 X 24	30.48	29.21	27.94
20021121-XOX50XXLF	2 X 25	31.75	30.48	29.21
20021121-XOX52XXLF	2 X 26	33.02	31.75	30.48
20021121-XOX54XXLF	2 X 27	34.29	33.02	31.75
20021121-XOX56XXLF	2 X 28	35.56	34.29	33.02
20021121-XOX58XXLF	2 X 29	36.83	35.56	34.29
20021121-XOX60XXLF	2 X 30	38.10	36.83	35.56
20021121-XOX62XXLF	2 X 31	39.37	38.10	36.83
20021121-XOX64XXLF	2 X 32	40.64	39.37	38.10
20021121-XOX66XXLF	2 X 33	41.91	40.64	39.37
20021121-XOX68XXLF	2 X 34	43.18	41.91	40.64
20021121-XOX70XXLF	2 X 35	44.45	43.18	41.91
20021121-XOX72XXLF	2 X 36	45.72	44.45	43.18
20021121-XOX74XXLF	2 X 37	46.99	45.72	44.45
20021121-XOX76XXLF	2 X 38	48.26	46.99	45.72
20021121-XOX78XXLF	2 X 39	49.53	48.26	46.99
20021121-XOX80XXLF	2 X 40	50.80	49.53	48.26
20021121-XOX82XXLF	2 X 41	52.07	50.80	49.53
20021121-XOX84XXLF	2 X 42	53.34	52.07	50.80
20021121-XOX86XXLF	2 X 43	54.61	53.34	52.07
20021121-XOX88XXLF	2 X 44	55.88	54.61	53.34
20021121-XOX90XXLF	2 X 45	57.15	55.88	54.61

PART NO.	POS.	DIM"x"	DIM"y"	DIM"z"
20021121-XOX92XXLF	2 X 46	58.42	57.15	55.88
20021121-XOX94XXLF	2 X 47	59.69	58.42	57.15
20021121-XOX96XXLF	2 X 48	60.96	59.69	58.42
20021121-XOX98XXLF	2 X 49	62.23	60.96	59.69
20021121-XOXA0XXLF	2 X 50	63.50	62.23	60.96



20021121-X X XX X X LF

- LEAD FREE
- PLATING ON CONTACT AREA
  - 1: GOLD FLASH AT CONTACT, 1.27um MIN. MATTE TIN AT TAIL
  - 2: GOLD FLASH AT CONTACT, GOLD FLASH AT TAIL
  - 4: 0.25um Au MIN. AT CONTACT, 1.27um MIN. MATTE TIN AT TAIL
  - 5: 0.25um Au MIN. AT CONTACT, GOLD FLASH AT TAIL
  - 6: 0.38um GXT MIN. AT CONTACT, 1.27um MIN. MATTE TIN AT TAIL
  - 7: 0.38um GXT MIN. AT CONTACT, GOLD FLASH AT TAIL
  - 8: 0.76um GXT MIN. AT CONTACT, 1.27um MIN. MATTE TIN AT TAIL
  - 9: 0.76um GXT MIN. AT CONTACT, GOLD FLASH AT TAIL
- PACKING STYLE
  - T: TUBE
  - D: TUBE + CAP
  - C: TAPE & REEL + CAP
- PIN NO. SEE TABLE
- MATING LENGTH(DIM"A")
  - 0: 3.05MM
- RESERVE CODE
  - 0: STANDARD
- POST OPTION
  - 0: WITHOUT POST
  - 1: WITH POST

mat'l. code		surface	tolerance	projection	product family
		ISO 1302 ✓	ISO 406 ISO	1101	MINITEK127®
ltr		ecn no dr date		title	
M				UNSHROUDED HDR VT SMT	
		angles	.0±.30	mm	
		linear	.00±.20	scale 1:1	
		0±2'	.000±.10		
		dr	ZK HU	8/1/12	dwg no sheet 2 of 2 size
		eng	ZK HU	8/1/12	20021121 A3
		chr	BIAN RICK	8/1/12	Amphenol FCI
		app	BIAN RICK	8/1/12	type Product Customer Drawing
sheet index	revision sheet				

## X-ON Electronics

Largest Supplier of Electrical and Electronic Components

*Click to view similar products for [Headers & Wire Housings](#) category:*

*Click to view products by [Amphenol](#) manufacturer:*

Other Similar products are found below :

[892-18-020-10-001101](#) [58102-G61-06LF](#) [582553-1](#) [0009485154](#) [009176003701906](#) [0050291907](#) [LY20-4P-DT1-P1E-BR](#) [02.125.8002.8](#)  
[609-3404](#) [61062-3](#) [622-0430](#) [622-3653LF](#) [63453-116](#) [636-1030](#) [636-1427](#) [636-3427](#) [636-4007](#) [641938-9](#) [641991-4](#) [644827-2](#) [65817-010LF](#)  
[65817-015LF](#) [65863-015LF](#) [66207-023LF](#) [67095-007LF](#) [67601157](#) [68648-049](#) [70.362.1628.0](#) [70-4210](#) [70-4226B](#) [70-4853B](#) [707-5020](#) [707-](#)  
[5028](#) [71.350.2428.0](#) [71918-208LF](#) [71961-016LF](#) [733-134](#) [733-162](#) [754199-000](#) [760-3052](#) [787-8014-00](#) [79531-3000](#) [FCN-360C032-B](#) [FCN-](#)  
[367T-T012/H](#) [FCN-723D010/2](#) [80.063.4001.1](#) [800-90-001-10-001000](#) [800-90-010-10-002000](#) [801-43-002-10-013000](#) [801-43-006-10-002000](#)