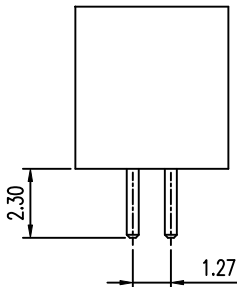
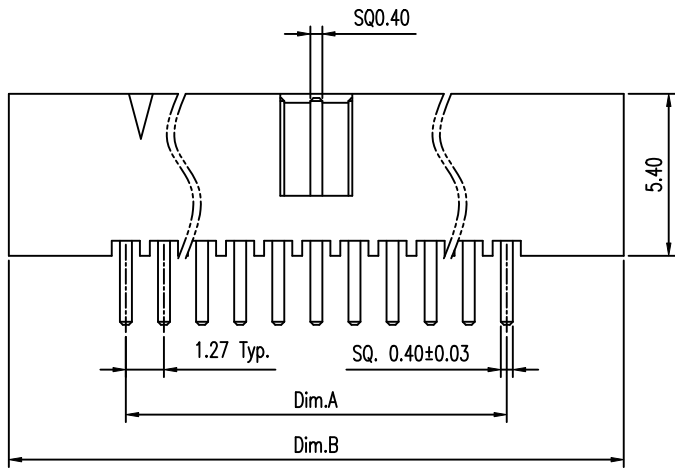
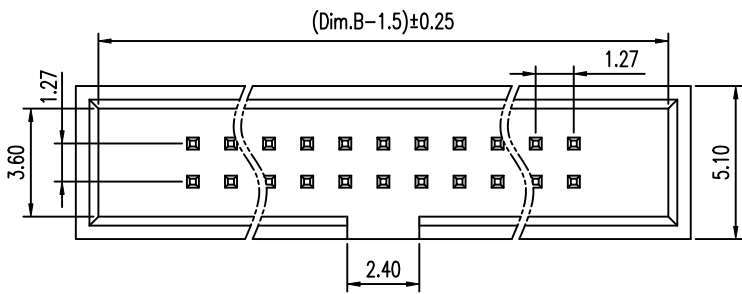


Tous droits strictement reserves. Reproduction ou communication a des tiers interdite sous quelque forme que ce soit sans autorisation ecrite du proprietaire. Propriete de c FCI. Droits de reproduction FCI.



All rights strictly reserved. Reproduction or issue to third parties in any form whatever is not permitted without written authority from the proprietor. Property of FCI. Copyright FCI.

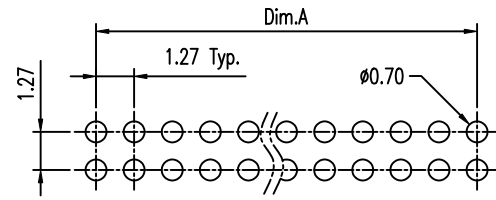


NOTE:

- 1. MATERIAL, HOUSING: HIGH TEMP PLASTIC, UL94-V0, BLACK
TERMINAL: COPPER ALLOY, SQ=0.40±0.03MM
- 2. FINISH:
TERMINAL: GOLD AT CONTACT,
G/F OVER 1um(40u")MIN Ni OVER ALL
- 3. SPEC.:
PRODUCT SPEC: GS-12-629
PACKING SPEC: GS-14-1420
- 4. THE HSG. WILL WITHSTAND EXPOSURE TO 260C PEAK TEMP. FOR 10 SEC. IN A WAVE SOLDER APPLICATION WITH A PCB.
- 6. PRODUCT NUMBERING:
20021511 - 0 0 0 XX X X LF

LEAD FREE
PLATING:
1: GOLD FLASH ALL OVER
4: 0.25um(10U")GOLD AT CONTACT
8: 0.76um(30U")GOLD AT CONTACT
PACKING
T: TUBE

PIN COUNT
SEE TABLE 1



Recommended P.C.B. Layout
Layout Tolerance = ± 0.05 mm

TABLE 1 ,DIM INFORMATION

DASH No.	Dim.	Amount of Pins	Dim.A	Dim.B
-000 06 XX LF	06	2.54	10.11	
-000 10 XX LF	10	5.08	12.65	
-000 12 XX LF	12	6.35	13.92	
-000 14 XX LF	14	7.62	15.19	
-000 16 XX LF	16	8.89	16.46	
-000 20 XX LF	20	11.43	19.00	
-000 26 XX LF	26	15.24	22.81	
-000 30 XX LF	30	17.78	25.35	

DASH No.	Dim.	Amount of Pins	Dim.A	Dim.B
-000 34 XX LF	34	20.32	27.89	
-000 40 XX LF	40	24.13	31.70	
-000 44 XX LF	44	26.67	34.24	
-000 50 XX LF	50	30.48	38.05	
-000 60 XX LF	60	36.83	44.40	
-000 64 XX LF	64	39.37	46.94	
-000 68 XX LF	68	41.91	49.48	
-000 80 XX LF	80	49.53	57.10	
-000 A0 XX LF	100	62.23	69.90	

mat'l. code				tolerances unless otherwise specified		CUSTOMER COPY	FCI		www.fciconnect.com	
ltr	ecn no	dr	date	linear	.X ± 0.38	projection	title	1.27X1.27MM BTB,HEADER SHOULD,VERTICAL ,TH		
A	T09-1117	S.LIN	09/15/09		.XX ± 0.25					
B	T10-0022	S.LIN	01/20/10	angles	.XXX ± 0.10	MM	product family	585		code
				0° ±2°	0° ±2°			size	dwg no	
				dr	STERLING LIN	09/15/09	A4	20021511		sheet
				engr	STERLING LIN	09/15/09		1 of 1		
				chr	GARY HSIEH	09/15/09		scale		
				appd	JOSEPH HSIA	09/15/09		NA		
sheet index	revision sheet	B	1							

X-ON Electronics

Largest Supplier of Electrical and Electronic Components

Click to view similar products for [Headers & Wire Housings](#) category:

Click to view products by [Amphenol](#) manufacturer:

Other Similar products are found below :

[892-18-020-10-001101](#) [58102-G61-06LF](#) [582553-1](#) [0009485154](#) [009176003701906](#) [0050291907](#) [LY20-4P-DT1-P1E-BR](#) [02.125.8002.8](#)
[609-3404](#) [61062-3](#) [622-0430](#) [622-3653LF](#) [63453-116](#) [636-1030](#) [636-1427](#) [636-3427](#) [636-4007](#) [641938-9](#) [641991-4](#) [644827-2](#) [65817-010LF](#)
[65817-015LF](#) [65863-015LF](#) [66207-023LF](#) [67095-007LF](#) [67601157](#) [68648-049](#) [70.362.1628.0](#) [70-4210](#) [70-4226B](#) [70-4853B](#) [707-5020](#) [707-](#)
[5028](#) [71.350.2428.0](#) [71918-208LF](#) [71961-016LF](#) [733-134](#) [733-162](#) [754199-000](#) [760-3052](#) [787-8014-00](#) [79531-3000](#) [FCN-360C032-B](#) [FCN-](#)
[367T-T012/H](#) [FCN-723D010/2](#) [80.063.4001.1](#) [800-90-001-10-001000](#) [800-90-010-10-002000](#) [801-43-002-10-013000](#) [801-43-006-10-002000](#)