

SPECIFICATIONS

ELECTRICAL:

FREQUENCY RANGE \_\_\_\_\_ DC-18 GHz

IMPEDANCE \_\_\_\_\_ 50 OHMS

VSWR

DC-4 GHz \_\_\_\_\_ 1.15:1 MAX.  
 4-12.4 GHz \_\_\_\_\_ 1.25:1 MAX.  
 12.4-18 GHz \_\_\_\_\_ 1.35:1 MAX.

ATTENUATION ACCURACY \_\_\_\_\_ ±0.50

POWER (AVG) \_\_\_\_\_ 2 WATTS  
 POWER DERATES LINEARLY FROM +25°C TO <10% @ +125°C

POWER (PEAK) \_\_\_\_\_ 500 WATTS  
 5 μ SEC PW & 0.05% DUTY CYCLE

OPERATING TEMP \_\_\_\_\_ 4°K TO +125°C

MECHANICAL

HOUSING \_\_\_\_\_ PASSIVATED STAINLESS STEEL

CONNECTORS \_\_\_\_\_ PASSIVATED STAINLESS STEEL

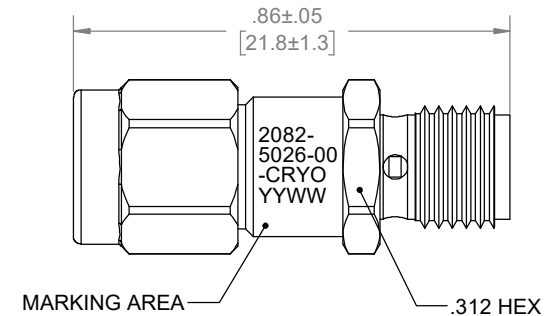
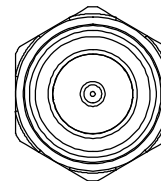
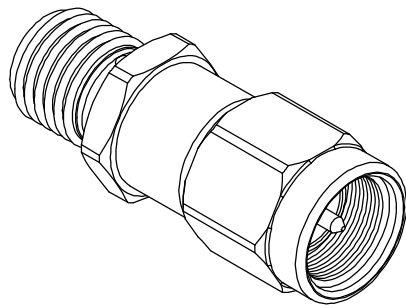
CONTACTS \_\_\_\_\_ GOLD PLATED BERYLLIUM COPPER

CONNECTOR INTERFACES, FINISHES AND MATERIALS COMPLY WITH BOTH MIL-PRF-39012 AND MIL-STD-348.

RECOMMENDED MATING TORQUE \_\_\_\_\_ 7 - 10 INCH POUNDS

MARKING

PART LOOKS LIKE PRODUCT IMAGE ABOVE.  
 PART MARKING ORIENTATION AND FORMAT AS SHOWN.  
 MARKING TO BE AS LARGE AS POSSIBLE, CLEAR, AND READABLE.  
 YYWW EQUALS DATE CODE



REVISIONS				
REV	DESCRIPTION	ECO #	DATE	APPROVED
-	CHNG BRDR DEFAULTS;REMOVE 1-12dB	13-306	12/17/13	T.KUHN
A	ADDED MARKING	15-140	5/18/15	T.KUHN
B	CHANGED ASSY # IN BOM	17-063	5/2/17	T.KUHN
C	CHANGED TA# IN BOM	20-126	8/13/20	HIGGINS

QTY.	PART NUMBER	DESCRIPTION	ITEM NO.
X	2082-5026-00-CRYO	ATTENUATOR, SMA-m/f, DC-18GHz, 0dB	
1	TA-2082-6400-dBXU-CRYO	ASSY, ATTENUATOR, SMA-m/f, DC-18GHz, 0dB, UNMARKED	1

DRAWING PRACTICES PER ANSI-Y-14.5 MIL-STD-100 & 1000  
 DIMENSIONS ARE IN INCHES AND APPLY BEFORE / AFTER PROCESSING  
 SURFACE ROUGHNESS  $\mu$ INCHES **63**  
 FINISH:  
 SEE NOTE  
 MATERIAL:  
 SEE NOTE  
 NOTE:  
 THIS DRAWING INCORPORATES THIRD ANGLE PROJECTION.  
  
 INTERPRET IAW ANSI Y14.5-1982

UNLESS OTHERWISE SPECIFIED TOLERANCES IN:  
 DECIMALS INCH [MM]  
 .X" .05" [1.27]  
 .XX" .03" [.76]  
 .XXX" .010" [.25]  
 ANGLES ±0°30'  
 REMOVE ALL BURRS/SHARP W/ BREAK / R OF .003" TO .0005" UNLESS OTHERWISE NOTED DIAS CONCENTRIC <.003 T.I.R.  
 DO NOT SCALE PRINT

DRAWN DATE  
**T.KUHN** 6/26/13  
 CHECKED DATE  
**MCCORMICK** 5/18/15  
 ENG. APPR. DATE  
**T.KUHN** 6/26/13

**XMA** Omni Spectra  
 Phone: 603-222-2256 Fax: 603-222-2259  
 150 Dow Street, Manchester, NH 03101

ATTENUATOR, SMA-m/f, DC-18GHz, 0dB, CRYO

SIZE	CAGE CODE	DRAWING NUMBER	REV
B	3HT76	2082-5026-00-CRYO	C
SCALE	PLATED AREA SQ. IN	SHEET 1 OF 1	

## X-ON Electronics

Largest Supplier of Electrical and Electronic Components

*Click to view similar products for [Attenuators - Interconnects](#) category:*

*Click to view products by [Amphenol](#) manufacturer:*

Other Similar products are found below :

[R414701000](#) [R411800121](#) [R413840115](#) [ATT-523F-05-SMA-02](#) [R413305000](#) [R411808121](#) [R412501124](#) [R414702000](#) [ATP8-10006KV](#)  
[R414705000](#) [R411710124](#) [R410220121](#) [CT3369A-20](#) [09AS102-K40S3](#) [R411802000](#) [ATT-263F-03-SMA-02](#) [R417320130](#) [R412508124](#)  
[R417030110](#) [ATT-523F-12-SMA-02](#) [ATT-263F-06-SMA-02](#) [ATT-0263-22-SMA-02](#) [ATT-263F-10-SMA-02](#) [ATT-523F-10-SMA-02](#)  
[R422030020](#) [R422020030](#) [R417506130](#) [ATT-0263-25-SMA-02](#) [R413810000](#) [R411810124](#) [R413803000](#) [R417330110](#) [ATT-0290-02-HEX-](#)  
[02](#) [R415603000](#) [R415620000](#) [R415606000](#) [R415610000](#) [ATT-0290-00-SMA-02](#) [AT-130V](#) [CATTEN-05R0-BNC](#) [CATTEN-04R0-BNC](#)  
[6620\\_SMA-50-1/199\\_NE](#) [6630\\_SMA-50-2/199\\_NE](#) [CATTEN-06R0-BNC](#) [ATT-0294-02-SMA-02](#) [ATT-0298-06-HEX-02](#) [6610\\_SMA-50-](#)  
[2/199\\_NE](#) [6605\\_SMA-50-1/199\\_NE](#) [6820.17.A](#) [6803.17.B](#)