

4

3

2

1

ELECTRICAL**SPECIFICATIONS**

FREQUENCY RANGE: _____ DC - 18 GHz

ATTENUATION: _____ SEE TABLE

ATTENUATION DEVIATION TOLERANCE: _____ SEE TABLE

VSWR: (MAX.): _____

DC - 4 GHz	1.15:1
4 - 12.4 GHz	1.25:1
12.4 - 18 GHz	1.35:1

IMPEDANCE: _____ 50 OHMS

TEMPERATURE RANGE (°C) _____ -65 TO +125 OPERATING
+150° STORAGEPOWER (AVG) _____ 5 WATTS**
POWER (PEAK) (<5 μSEC PW, <0.15% DUTY CYCLE) 500 WATTS
POWER DERATES LINEARLY FROM +25°C TO 10% @ +125°CMECHANICAL SPECIFICATIONS****MATERIALS** (CONNECTORS PER MIL-PRF-39012 & MIL-DTL-3933)CENTER CONDUCTOR: BERYLLIUM COPPER PER QQ-C-530, ASTM B196,
ASTM-B197 ALLOYS C17200 OR C17300 PER MIL-PRF-39012.GOLD
PLATED PER MIL-PRF-39012OUTER CONDUCTOR: STAINLESS STEEL, CORROSION RESISTANT PER
ASTM A484 & A582, CLASS 303, COND. A. PASSIVATED PER ASTM A380

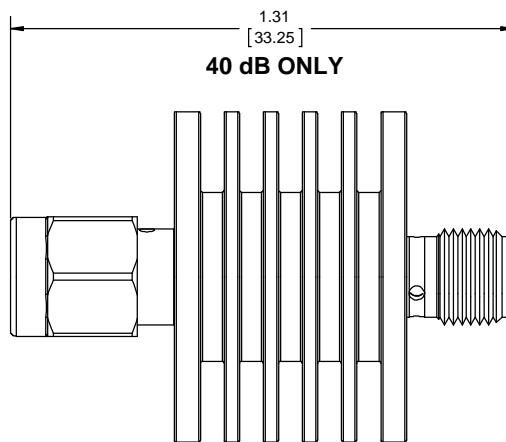
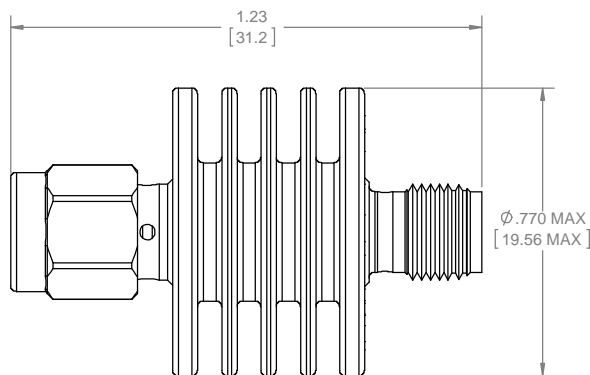
DIELECTRIC: TEFLON PER ASTM D1710.

HOUSING: ALUMINUM (May be one of several QQ-A-XXX or ASTM standards)

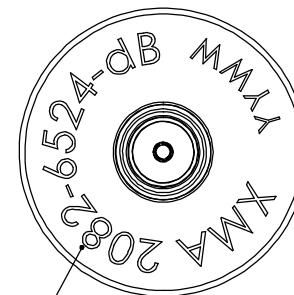
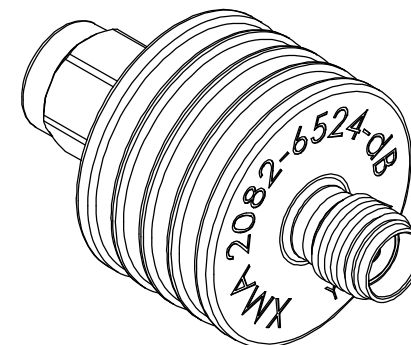
RESISTOR SUBSTRATE AIN OR ALUMINUM OXIDE. RESISTOR: PROPRIETARY
THIN FILM HYBRID WITH PROTECTIVE SiO COATING.**MARKING INSTRUCTIONS**

PART LOOKS LIKE PRODUCT IMAGE ABOVE.
PART MARKING ORIENTATION AND FORMAT AS SHOWN.
USE SCRIBING LASER WITH MULTI PASS FOR CHARACTERS.
WHITE/SILVER CHARACTERS ON BLACK ANODIZE ALUMINUM.
OPT - WHITE SILVER EPOXY INK.
MARKING TO BE AS LARGE AS POSSIBLE BE, CLEAR, READABLE, AND
A WHITE COLOR.
-dB VALUE TO BE ONE OR TWO DIGIT NUMBER AS SPECIFIED ON WORK
ORDER.
YYYY EQUALS DATE CODE.

DASH NO.	NOM DB	MAX DEV.
-01	1	±0.3
-02	2	±0.3
-03	3	±0.3
-04	4	±0.3
-05	5	±0.3
-06	6	±0.3
-07	7	±0.5
-08	8	±0.5
-09	9	±0.5
-10	10	±0.5
-11	11	±0.5
-12	12	±0.5
-15	15	±0.5
-20	20	±0.5
-30	30	±0.75
-40	40	±1.25



REVISIONS				
REV	DESCRIPTION	ECO #	DATE	APPROVED
J	REDRAWN IN SOLIDWORKS; INCLUDED MARKING	14-231	6/10/14	T.KUHN
K	ADDED -40 TO TABLE	14-244	7/01/14	T.KUHN
L	ADDED DATE CODE	15-181	6/15/15	T.KUHN

MARKING
SEE NOTES

01 -30 dB	40 dB	PART NUMBER	DESCRIPTION	ITEM NO.
		2082-6524-dB	ATTENUATOR, SMA, AIR COOLED, 5W, UP TO 18GHz	
-	1	TA-2082-6524-40U	ASSY, ATTENUATOR, SMA, AIR COOLED, 5W, UP TO 18GHz, UNMARKED	
1	-	TA-2082-6524-dBU	ASSY, ATTENUATOR, SMA, AIR COOLED, 5W, UP TO 18GHz, UNMARKED	

DRAWING PRACTICES PER ANSI Y14.5 MM-210-10 & 1002	
DIMENSIONS ARE IN INCHES AND APPLY BEFORE/AFTER PROCESSING	
SURFACE ROUGHNESS FINISHES	63
FINISH:	SEE NOTES
MATERIAL:	SEE NOTES
NOTE:	THIS DRAWING INCORPORATES THIRD ANGLE PROJECTION.
INTERPRET LAW ANSI Y14.5-1982	

UNLESS OTHERWISE SPECIFIED TOLERANCES IN:	
DECIMALS	INCH
.X"	.05" [1.27]
.XX"	.03" [.76]
.XXX"	.01" [.25]
ANGLES ±0°30'	
REMOVE ALL BURRS/SHARP W/ BREAK / R OF .003" TO .0005"	
UNLESS OTHERWISE NOTED DIAS CONCENTRIC <.003 T.I.R.	
DO NOT SCALE PRINT	

DRAWN	DATE
McCORMICK6/10/14	6/10/14
CHECKED	DATE
McCORMICK6/10/14	6/10/14
ENG APPR.	DATE
T.KUHN	6/10/14
THESE DRAWINGS AND SPECIFICATIONS ARE THE PROPERTY OF XMA CORP. OR OMNI SPECTRA AND SHALL NOT BE REPRODUCED, COPIED NOR USED IN WHOLE OR IN PART AS A BASIS FOR THE MANUFACTURE OR SALE OF OTHER ITEMS WITHOUT THE EXPRESS WRITTEN PERMISSION OF XMA CORP.	

XMA <small>SP-100</small> Omni Spectra®			
Phone: 603-222-2256 Fax: 603-222-2259 150 Dow Street, Manchester, NH 03101			
TITLE ATTENUATOR, SMA, AIR COOLED, 5W, UP TO 18GHz			
SIZE C	CAGE CODE 3HT76	DRAWING NUMBER 2082-6524-dB	REV L
SCALE	PLATED AREA SQ. IN.	SHEET 1 OF 1	

4

3

2

1

TEMPLATE REV A

X-ON Electronics

Largest Supplier of Electrical and Electronic Components

Click to view similar products for [Attenuators - Interconnects](#) category:

Click to view products by [Amphenol](#) manufacturer:

Other Similar products are found below :

[R414701000](#) [R411800121](#) [R413840115](#) [ATT-523F-05-SMA-02](#) [R413305000](#) [R411808121](#) [R412501124](#) [R414702000](#) [ATP8-10006KV](#)
[R414705000](#) [R411710124](#) [R410220121](#) [CT3369A-20](#) [09AS102-K40S3](#) [R411802000](#) [ATT-263F-03-SMA-02](#) [R417320130](#) [R412508124](#)
[R417030110](#) [ATT-523F-12-SMA-02](#) [ATT-263F-06-SMA-02](#) [ATT-0263-22-SMA-02](#) [ATT-263F-10-SMA-02](#) [ATT-523F-10-SMA-02](#)
[R422030020](#) [R422020030](#) [R417506130](#) [ATT-0263-25-SMA-02](#) [R413810000](#) [R411810124](#) [R413803000](#) [R417330110](#) [ATT-0290-02-HEX-](#)
[02](#) [R415603000](#) [R415620000](#) [R415606000](#) [R415610000](#) [ATT-0290-00-SMA-02](#) [AT-130V](#) [CATTEN-05R0-BNC](#) [CATTEN-04R0-BNC](#)
[6620_SMA-50-1/199_NE](#) [6630_SMA-50-2/199_NE](#) [CATTEN-06R0-BNC](#) [ATT-0294-02-SMA-02](#) [ATT-0298-06-HEX-02](#) [6610_SMA-50-](#)
[2/199_NE](#) [6605_SMA-50-1/199_NE](#) [6820.17.A](#) [6803.17.B](#)