

4

3

2

1

SPECIFICATIONS

ELECTRICAL

FREQUENCY RANGE _____ DC - 18GHz

AVAILABLE dB VALUES _____ 3, 6, 10, 20, 30, 40dB

ATTENUATION ACCURACY _____	DC - 6 GHz	6 - 12.4 GHz	12.4 - 18 GHz
1-6 dB	±0.3 dB	±0.5 dB	±0.75 dB
7-10, & 20 dB	±0.5 dB	±0.75 dB	±1.00 dB
30 dB	±0.75 dB	±1.00 dB	±1.25 dB
40 dB	±1.00 dB	±1.25 dB	±1.50 dB

VSWR	DC - 6 GHz	6 - 12.4 GHz	12.4 - 18 GHz
DC - 6 GHz	1.20:1 MAX	1.30:1 MAX	1.40:1 MAX
6 - 12.4 GHz			
12.4 - 18 GHz			

INPUT POWER _____ 25 WATTS AVG. @ 25°C
DERATED LINEARLY TO 10 WATTS @ 125°C

PEAK POWER _____ 500 WATTS
(5uSec PULSE, .05% DUTY CYCLE)

IMPEDANCE _____ 50 OHMS

OPERATING TEMP RANGE _____ -65°C TO +125°C

MECHANICAL

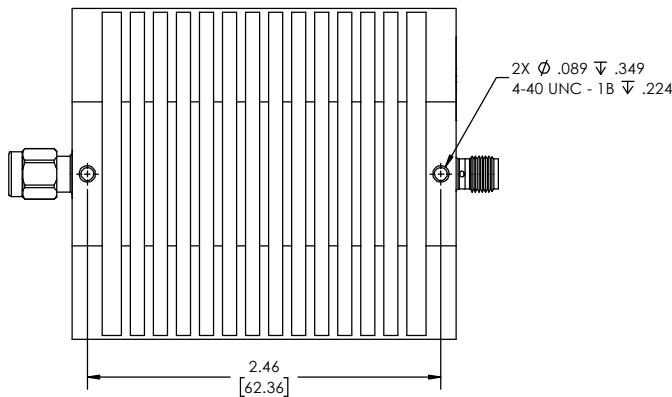
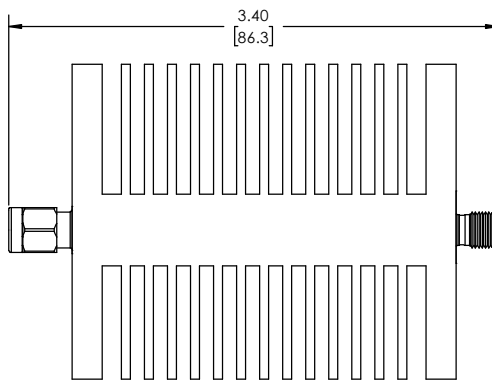
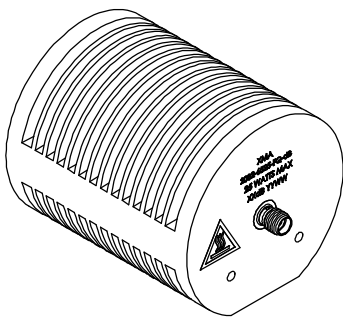
CONNECTORS _____ PASSIVATED STAINLESS STEEL

CONDUCTORS _____ GOLD PLATED BERYLLIUM COPPER

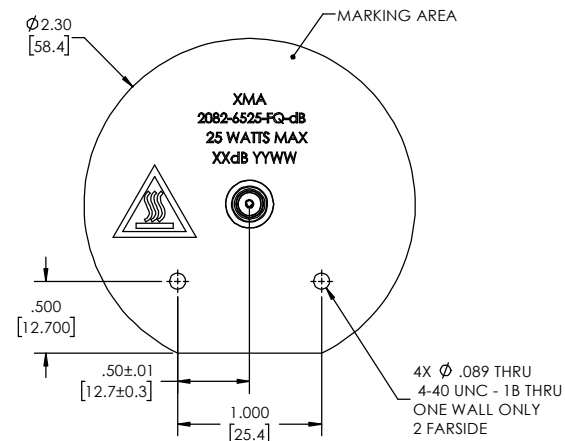
HOUSING _____ BLACK ANODIZED ALUMINUM

MARKING

PART LOOKS LIKE PRODUCT IMAGE ABOVE.
PART MARKING ORIENTATION AND FORMAT AS SHOWN.
MARKING TO BE AS LARGE AS POSSIBLE BE, CLEAR, READABLE.
REPLACE "XX" WITH THE TWO DIGIT dB VALUE SPECIFIED ON WORK ORDER.



REVISIONS				
REV	DESCRIPTION	ECO #	DATE	APPROVED
-	INITIAL RELEASE	17-178	11/15/17	T.KUHN



QTY.	PART NUMBER	DESCRIPTION	ITEM NO.
X	2082-6525-FQ-dB	ATTENUATOR, SMA-m/f, DC-18 GHz, 25W	
1	TA-2082-6525-FQ-DBU	ASSY, ATTENUATOR, SMA-m/f, DC-18 GHz, 25W, UNMARKED	1

DRAWING PRACTICES PER ANSI Y14.5 DD-STD-10 & 1002 DIMENSIONS ARE IN INCHES AND APPLY BEFORE/AFTER PROCESSING SURFACE ROUGHNESS FINISH: 63 MATERIAL: NOTE: THIS DRAWING INCORPORATES THIRD ANGLE PROJECTION. INTERPRET LAW ANSI Y14.5-1982	UNLESS OTHERWISE SPECIFIED TOLERANCES IN: DECIMALS INCH (MM) .X" .05" [1.27] .XX" .03" [.76] .XXX" .010" [.25] ANGLES ±0°30' REMOVE ALL BURRS/SHARP W/ BREAK / R OF .003" TO .0005" UNLESS OTHERWISE NOTED DIAS CONCENTRIC <.003 T.I.R. DO NOT SCALE PRINT	DRAWN DATE McCORMICK 6/12/17 CHECKED DATE McCORMICK 6/12/17 ENG APPR. DATE T.KUHN 6/12/17 THESE DRAWINGS AND SPECIFICATIONS ARE THE PROPERTY OF XMA CORP. OR OMNI SPECTRA AND SHALL NOT BE REPRODUCED, COPIED NOR USED IN WHOLE OR IN PART AS A BASIS FOR THE MANUFACTURE OR SALE OF OTHER ITEMS WITHOUT THE EXPRESS WRITTEN PERMISSION OF XMA CORP.
---	---	--

ATTENUATOR, SMA-m/f, DC-18 GHz, 25W			
SIZE	CAGE CODE	DRAWING NUMBER	REV
C	3HT76	2082-6525-FQ-dB	-
SCALE	PLATED AREA 50 IN	SHEET 1 OF 1	

4

3

2

1

X-ON Electronics

Largest Supplier of Electrical and Electronic Components

Click to view similar products for [Attenuators - Interconnects](#) category:

Click to view products by [Amphenol](#) manufacturer:

Other Similar products are found below :

[R414701000](#) [R411800121](#) [R413840115](#) [ATT-523F-05-SMA-02](#) [R413305000](#) [R411808121](#) [R412501124](#) [R414702000](#) [ATP8-10006KV](#)
[R414705000](#) [R411710124](#) [R410220121](#) [CT3369A-20](#) [09AS102-K40S3](#) [R411802000](#) [ATT-263F-03-SMA-02](#) [R417320130](#) [R412508124](#)
[R417030110](#) [ATT-523F-12-SMA-02](#) [ATT-263F-06-SMA-02](#) [ATT-0263-22-SMA-02](#) [ATT-263F-10-SMA-02](#) [ATT-523F-10-SMA-02](#)
[R422030020](#) [R422020030](#) [R417506130](#) [ATT-0263-25-SMA-02](#) [R413810000](#) [R411810124](#) [R413803000](#) [R417330110](#) [ATT-0290-02-HEX-](#)
[02](#) [R415603000](#) [R415620000](#) [R415606000](#) [R415610000](#) [ATT-0290-00-SMA-02](#) [AT-130V](#) [CATTEN-05R0-BNC](#) [CATTEN-04R0-BNC](#)
[6620_SMA-50-1/199_NE](#) [6630_SMA-50-2/199_NE](#) [CATTEN-06R0-BNC](#) [ATT-0294-02-SMA-02](#) [ATT-0298-06-HEX-02](#) [6610_SMA-50-](#)
[2/199_NE](#) [6605_SMA-50-1/199_NE](#) [6820.17.A](#) [6803.17.B](#)