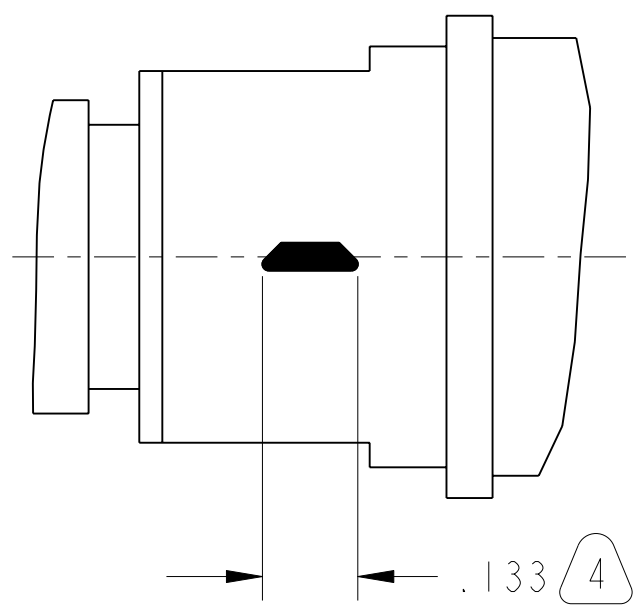
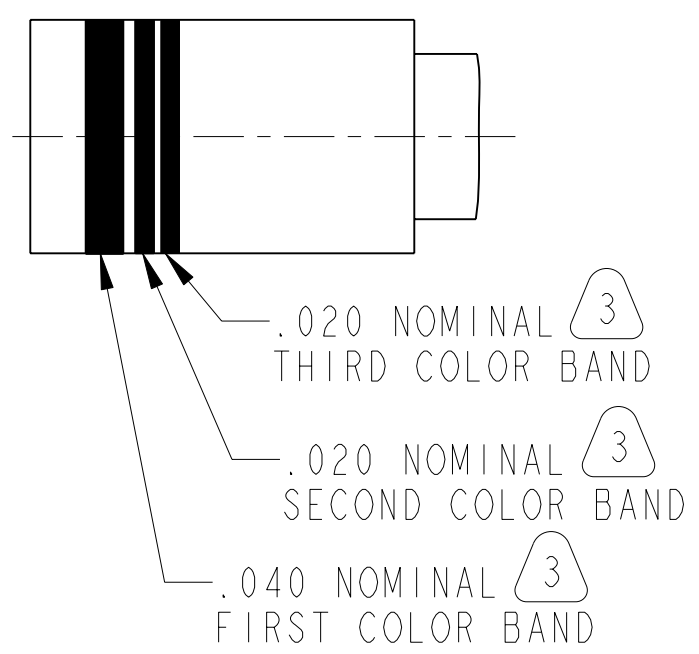
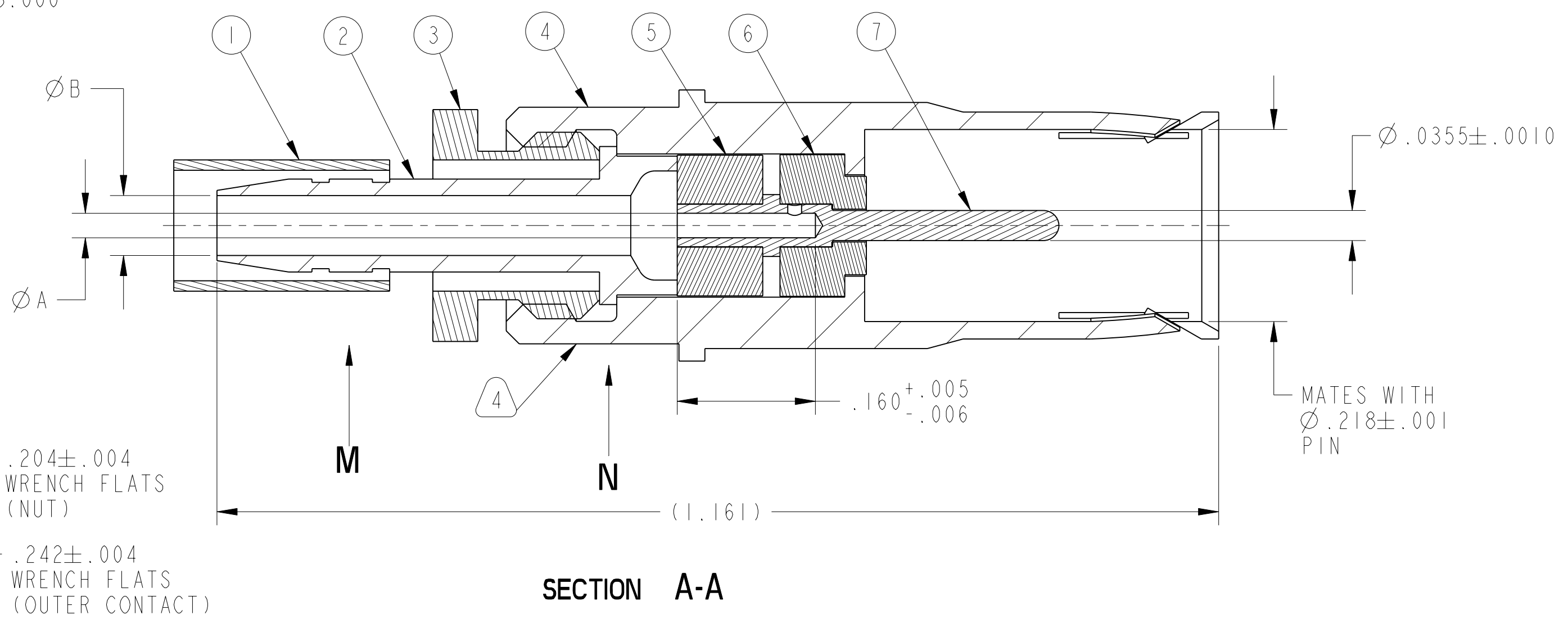
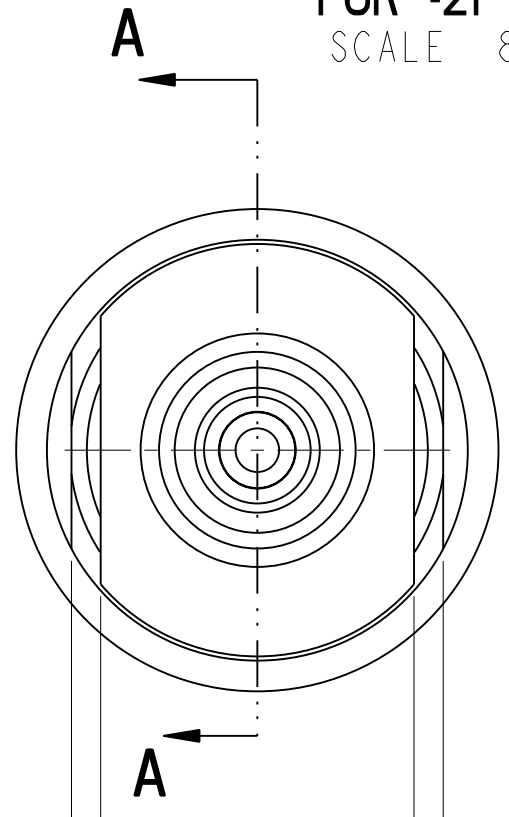


M	REV	SHEET 1 OF 2	DOCUMENT NO. 21-33101
REVISIONS			
LTR	DESCRIPTION	DATE	
M	(CL 11) ADDED 21-033101-026 REDRAWN IN PRO/E SEE ECN: JB0806	---	



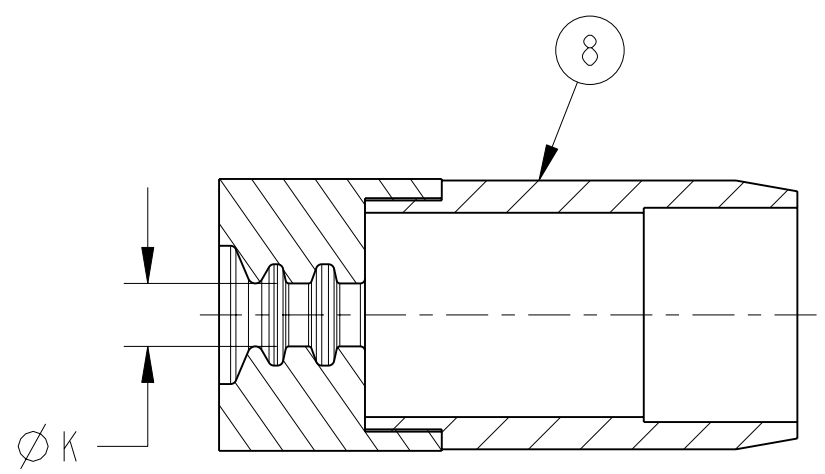
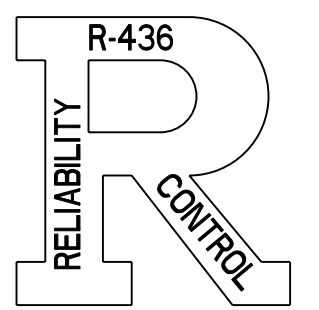
VIEW AT M
FOR -21 ONLY
SCALE 8.000

VIEW AT N
SCALE 8.000



SECTION A-A

MATES WITH
Ø.218±.001
PIN



FOR 21-033101-023, -024, -025
AND -026 ONLY

POS	QTY	PART NUMBER	DESCRIPTION	NOTE
9	1	SEE COLUMN	INSTALLATION INSTRUCTIONS	2, 7
8		SEE COLUMN	PIGGYBACK GROMMET SEAL	
7	1	SEE COLUMN	PIN CONTACT	
6	1	21-001305-035	FRONT INSULATOR	
5	1	21-001312-020	BACK INSULATOR	
4	1	21-000459-085	OUTER CONTACT	4
3	1	21-001552-085	NUT	
2	1	SEE COLUMN	RETAINER	
1	1	SEE COLUMN	FERRULE	3

APPROVALS		DATE	PARTS LIST	
PREPARED BY	J. BORDEAU	07-Aug-06	AMPHENOL CORPORATION	
ENGINEER IN CHARGE	L. RATCHFORD		40-60 DELAWARE AVENUE SIDNEY, N.Y. 13858	
DESIGN MANAGER	H. JOHNSON		CONTACT, SOCKET, COAXIAL, SIZE 8, ELECTRICAL CONNECTOR, TYPE LJT-RE	
DESIGN ACTIVITY GROUP	MIL-AERO DEVELOP		SIZE	C
THIRD ANGLE PROJECTION			CAGE CODE	77820
			DOCUMENT NO.	21-33101
			REV.	M
			SCALE: 8.0	REF: 21-033101
			SHEET 1 OF 2	

UNLESS OTHERWISE SPECIFIED	SPECIFICATIONS
LINEAR DIMENSIONS ARE IN INCHES TOLERANCES: .XXXX = ±.0005 ANGLES= ±2° .XXX = ±.010 .XX = ±.03 .X = ±.1	MATERIAL SPEC. N/A
DIM. & TOL. PER ASME Y14.5M; DRM PER MIL-DTL-31000; OTHER Amphenol Stds. PER 9-3800	PROCESS SPEC. SEE NOTE 5
LEGENDS: = FLAG NOTE CALL OUT REFERENCE ONLY	

SEE SHEET 2.

NOTES:	
THE USE OF THIS DOCUMENT IS UNLIMITED. HOWEVER, DOCUMENTS REFERENCED HEREON MAY CONTAIN LIMITED RIGHTS DATA.	
N/A	NEXT ASSEMBLY
PRO/ENGINEER INFORMATION	
Pro/e Model Used:	
Drawing Name:	
21-033101-XX	

DOCUMENT NO. 21-33101

SHEET 1 OF 2

REV. M

C

B

A

FORMAT: C-U-E-1

D

C

VERSION 5

REVISION M

RELEASE STATE Released

REV. M

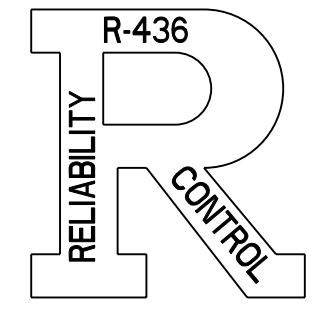
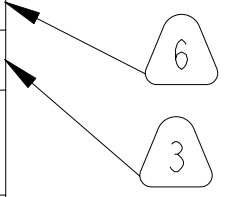
SHEET 1 OF 2

DOCUMENT NO. 21-33101

ASSEMBLY NUMBER	USE WITH COAX CABLE	INSTALLATION INSTRUCTIONS	FERRULE	RETAINER	PIN CONTACT	PIGGYBACK GROMMET SEAL		Ø A +.0020 -.0005	Ø B +.0020 -.0025	(K)
						PART NUMBER	QTY			
21-033101-021	M17/095-RG180 RG195A/U	21-1560-5	21-033904-003	21-000211-195	21-000357-085			.0280	.1090	
21-033101-022	MCDONNELL 5M1010	21-1560-6	10-092703-205	21-000211-225	21-000357-085			.0280	.1366	
21-033101-023	M17/094-RG179 M17/113-RG316 M17/119-RG174	21-1560-7	10-092703-145	21-000261-085	21-000357-085	21-033321-007	1	.0280	.0690	.082
21-033101-024	M17/060-RG142	21-1560-8	10-092703-285	21-000261-065	21-000357-055	21-033321-009	1	.0410	.1230	.160
21-033101-025	RG316 DOUBLE SHIELD	21-1560-9	10-092703-165	21-000261-085	21-000357-085	21-033321-007	1	.0280	.0690	.082
21-033101-026	RAYCHEM 7524D51111-9	L-1107-AH	10-092703-205	21-000291-015	21-000357-345	21-033321-010	1	.0300	.1190	.107

8. COAXIAL CONTACT ASSEMBLY NUMBER 21-033101-026 WILL TERMINATE ONLY THE INNER COAXIAL PORTION OF RAYCHEM TRIAXIAL CABLE 7524D51111-9.
7. INDICATED ITEM NOT ILLUSTRATED.
6. SPECIFICATION 9-6000-4 APPLIES TO ASSEMBLY NUMBERS LISTED IN TABLE I ONLY.
5. PROCESS SPEC:
TEST 9-5272-24;
PROCESS SHEET CONTROL 9-4796;
9-6700, 9-7530, 9-3856-5;
SPECIAL CONTROLS 9-6000-4, SEE NOTE 6
4. BLACK INK STAMP TRADEMARK PER 9-6700, TYPE IV PER 9-7530 OR 9-3856-5 IN APPROX. POSITION SHOWN ON OUTER CONTACT. TRADEMARK DIRECTION OPTIONAL AND MAY BE SOLID AS SHOWN.
3. INDICATED COLOR BANDS ARE FOR REFERENCE ONLY, AND ONLY FOR USE WITH ASSEMBLY NUMBERS LISTED IN TABLE I.
2. DRAWING ILLUSTRATES FINAL ASSEMBLY. COMPLETE INSTALLATION INSTRUCTIONS (POS 9), ARE PACKAGED WITH EACH ASSEMBLY. PACKAGE PER PRODUCTION PROCESS SHEET.
1. FOR INDICATED CONTACT ASSEMBLIES, USE THE 10-452952 PIGGYBACK GROMMET SEAL SUPPLIED WITH THE ELECTRICAL CONNECTOR ASSEMBLY.

ASSEMBLY NUMBER	MILITARY PART NUMBER	COLOR BANDS		
		FIRST BAND	SECOND BAND	THIRD BAND
21-033101-021	M39029/59-366	ORANGE	BLUE	BLUE



THE USE OF THIS DOCUMENT IS UNLIMITED. HOWEVER, DOCUMENTS REFERENCED HEREON MAY CONTAIN LIMITED RIGHTS DATA.

DOCUMENT NO. 21-33101 SHEET 2 OF 2 REV. M

C

B

A

RELEASE STATE Released REVISION M REFID 5

DOCUMENT NO. 21-33101 SHEET 2 OF 2 REV. M

X-ON Electronics

Largest Supplier of Electrical and Electronic Components

Click to view similar products for [Circular MIL Spec Contacts](#) category:

Click to view products by [Amphenol](#) manufacturer:

Other Similar products are found below :

[006-1189-20](#) [M39029/106-616](#) [71-VEAM](#) [809-023](#) [809-111](#) [811393-000](#) [850-014](#) [97-45-1418P-5\(920\)](#) [97-45-1418S-4](#) [D-602-0106CS076](#)
[AIC12-14P](#) [AIC16-16PG](#) [AIC8-12P](#) [AIC8-8SG](#) [AIC8-8SRAD](#) [1495044-1](#) [BACC47CP2T](#) [BACC47CP3S](#) [BACC47DP4](#) [BACC47GC1A](#)
[BACC47GN1](#) [16968/2C](#) [173-900245-91](#) [241611N001](#) [2560-220-2031](#) [27915-38T9](#) [27964-38T112](#) [2M809-118](#) [97-67-36-20](#) [AIC12-16P](#)
[AIC16-14SG](#) [AIC16-18PG](#) [AIC16-18S](#) [AIC16-20PG](#) [AIC4-4PG](#) [CE102S-18](#) [M39029/30-221](#) [M39029/77-430](#) [416-2020-088I](#) [MDM-](#)
[21SH003B-F222](#) [BA-4120-50LD](#) [BACC47CN2](#) [BACC47GC3A](#) [BACC47GD3A](#) [BACC47GM1](#) [52G137 REV A](#) [CB2-18-21PS](#) [D-602-](#)
[1116CS2727](#) [D-602-1117CS2727](#) [419-2082-102](#)