

NOTES:

1. MATERIALS AND FINISHES:

- BODY - BRASS, BRIGHT TIN PLATING
- CONTACT - BRASS, BRIGHT TIN PLATING
- COUPLING NUT - BRASS, BRIGHT TIN PLATING
- INSULATOR - PTFE NATURAL

2. ELECTRICAL:

- A. IMPEDANCE: 50 OHM, NOMINAL
- B. FREQUENCY RANGE: 0-1 GHz
- C. D.W.V: 1500 VRMS, MIN.

3. MECHANICAL:

- A. DURABILITY: 100 CYCLES MIN.
- B. TEMPERATURE RANGE: -40°C TO +140°C

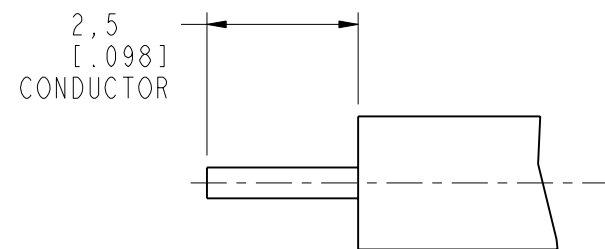
4. CONTACT PIN TO SOLDER

5. SHOWS CABLE ENTRY DIMENSIONS.

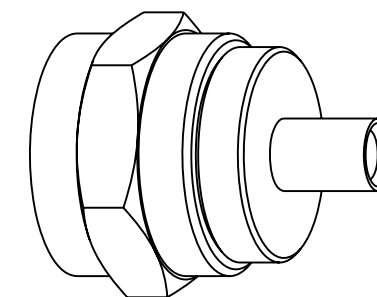
THIRD ANGLE PROJ.

REVISIONS

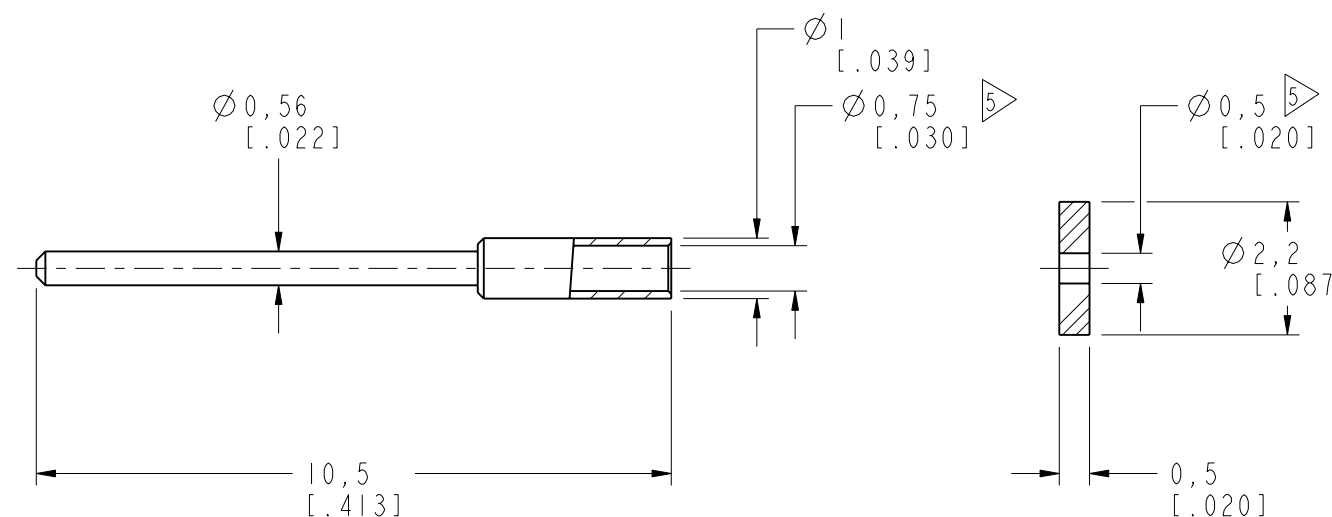
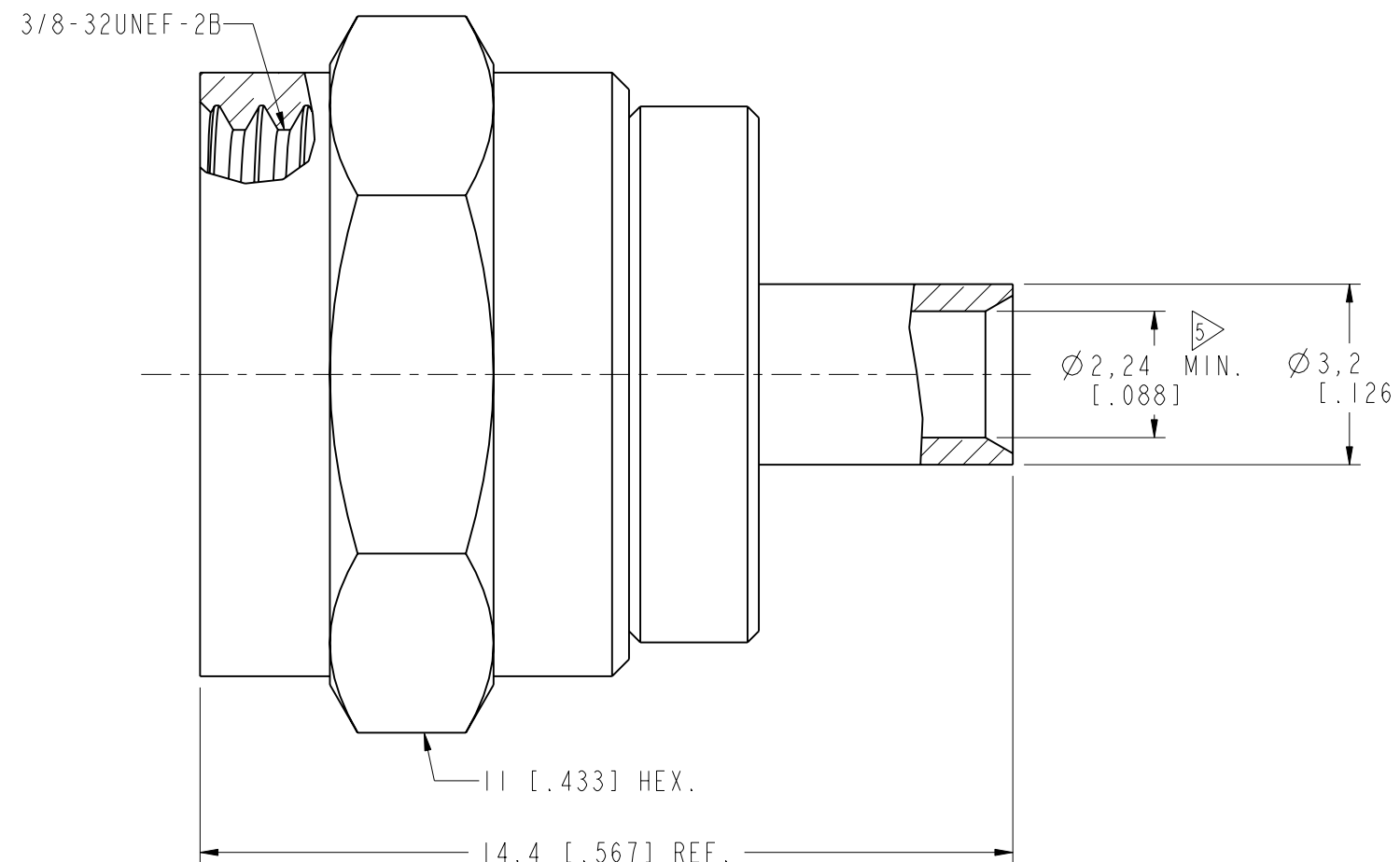
REV	DESCRIPTION	DATE	ECO	APPR
A	UPDATE DRAWING FORMAT	09-Dec-03		GRS
B	ADD CABLE DESCRIPTION	08-Jul-07		GRS
D	SYNC. THE CONTACT WAS CAHNGED \RD-DMI6112101K2	09-Dec-16	02441	KEN
E	UPDATE DRAWING FORMAT \RD-DMI7051801S2	18-May-17	03921	KEN



RECOMMENDED
CABLE STRIPPING DIM'S



SCALE 3.000



CUSTOMER OUTLINE DRAWING

ALL OTHER SHEETS ARE FOR INTERNAL USE ONLY

<p>UNLESS OTHERWISE SPECIFIED, DIMENSIONS ARE IN METRIC AND TOLERANCES ARE: <0.5mm ±0.05mm 0.5 - 6mm ±0.1mm 6 - 30mm ±0.2mm 30 - 120mm ±0.3mm ANGLES ±1°</p> <p>NOTICE - These drawings, specifications, or other data (1) are, and remain the property of Amphenol corp. (2) must be returned upon request; and (3) are confidential and not to be disclosed to any person other than those to whom they are given by Amphenol Corp. the furnishing of these drawings, specifications, or other data by Amphenol Corp., or to any other person for any purpose is not to be regarded by implication or otherwise in any manner licensing, granting rights to permitting such holder or any other person to manufacture, use or sell any product, process or design, patented or otherwise, that may in any way be related to or disclosed by said drawings, specifications, or other data.</p>	MATERIAL	DRAWN S. DUAN	DATE 27-May-17	<p>TITLE F DIRECT SOLDER PLUG (FOR .085" SEMI RIGID CABLE)</p>	<p>Amphenol RF www.amphenolrf.com</p>
	REFERENCE AND CONFIGURATION LEVEL:	ENGINEER ANGELA	DATE 08-01-06'		
FINISH	APPROVED S. HSIEH	DATE 27-May-17	SCALE: 8.0:1.0	SHEET 2 OF 2	ITEM NO. 041181AAA45TB5F
			DWG SIZE B	REV E	PART NO. 222115

X-ON Electronics

Largest Supplier of Electrical and Electronic Components

Click to view similar products for [RF Connectors / Coaxial Connectors](#) category:

Click to view products by [Amphenol](#) manufacturer:

Other Similar products are found below :

[8915-1511-000](#) [89674-0827](#) [6001-7071-019](#) [6002-7051-003](#) [6002-7551-202](#) [6059674-1](#) [619550-1](#) [630059-000](#) [M39030/3-01N](#) [M3933/25-36N](#) [6500-7071-046](#) [6769](#) [CX050L2AQ](#) [7002-1542-011](#) [7004-1512-000](#) [7009-1511-004](#) [7010-1511-000](#) [7029-1511-060](#) [7101-1541-010](#) [7101-1571-002](#) [7105-1521-002](#) [7145-1521-002](#) [7203-1571-003](#) [7209-1511-011](#) [7210-1511-015](#) [7210-1511-019](#) [73137-5015](#) [73216-2241](#) [7325-1512-000](#) [73404-2300](#) [7405-1521-005](#) [7405-1521-802](#) [7406-1521-005](#) [8527](#) [8547](#) [FS11V](#) [8808-1511-001](#) [9049-9513-000](#) [9074-9513-000](#) [9101-9573-002](#) [910A205F](#) [9130-9573-002](#) [PL11SC-026](#) [PL375-33](#) [PL40-5](#) [PL71-9](#) [PL74C-221](#) [PL75MC-217](#) [PL803-7](#) [980-8666-005](#)