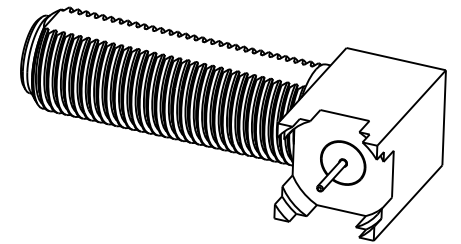
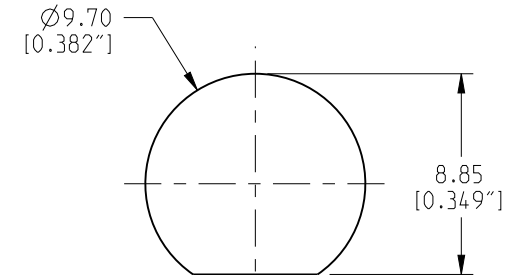
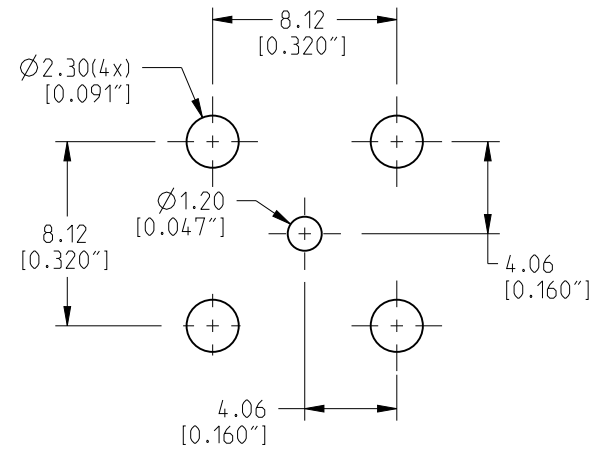
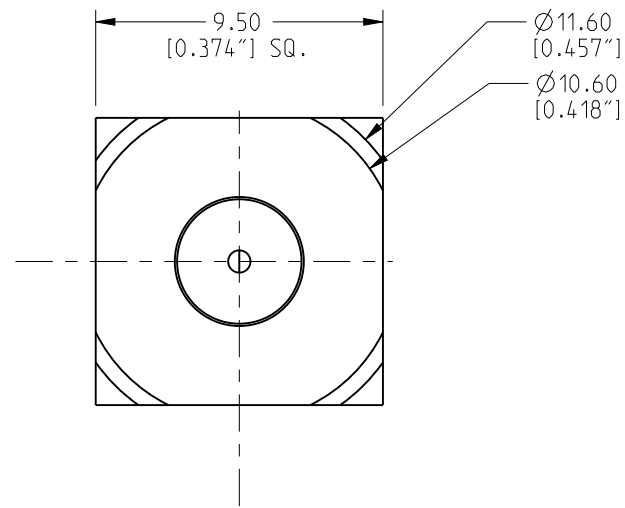


NOTE:

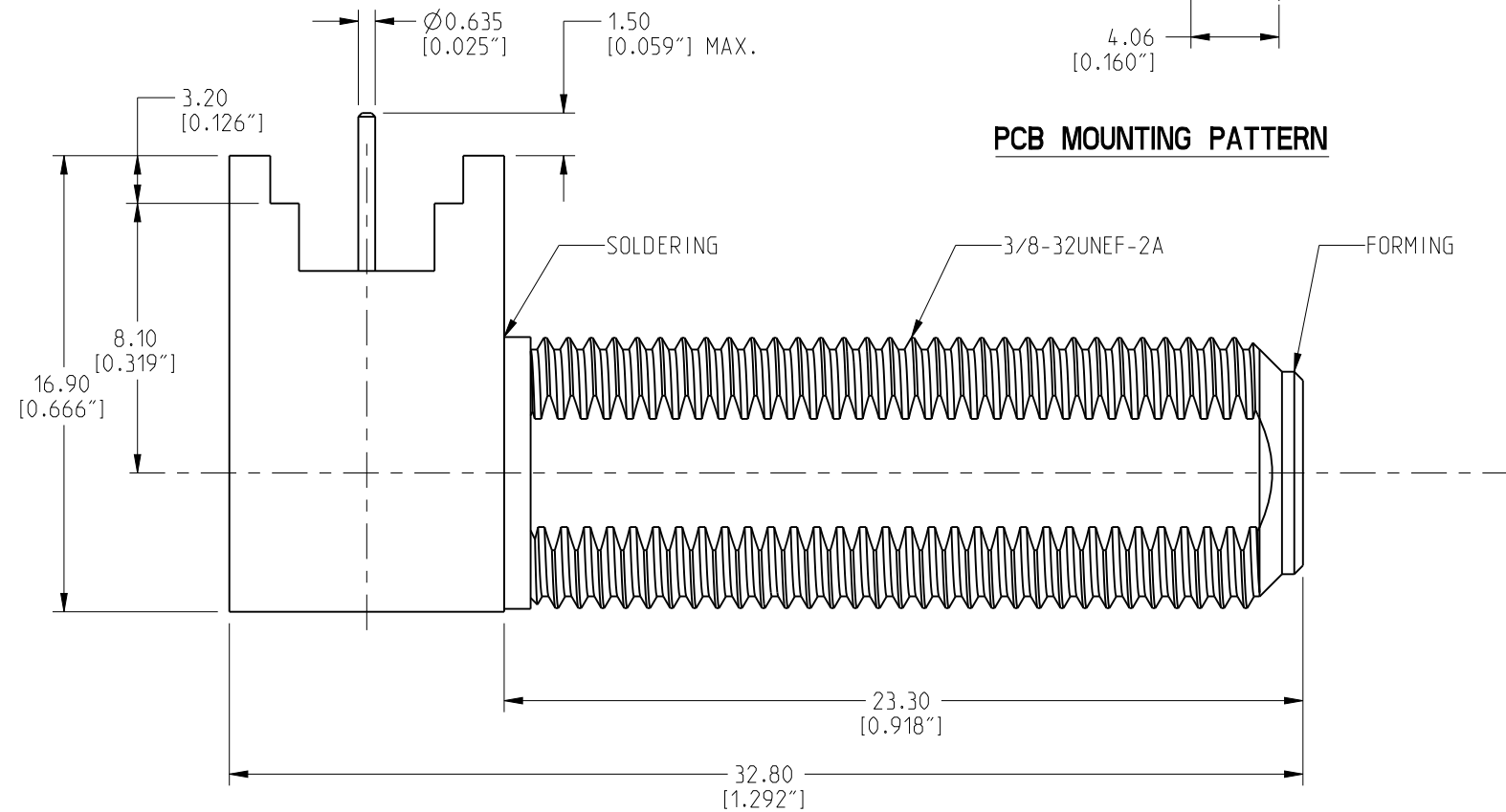
1. SPECIFICATIONS

- NOMINAL IMPEDANCE: 75 OHMS
- FREQUENCY RANGE: 0 TO 1.5 GHz
- VOLTAGE RATING: 500V (ms)
- OPERATING TEMPERATURE: -40°C ~ +140°C
- MATING: 200 CYCLES
- MATING TORQUE: 15 in/lbs RECOMMENDED

222128-12		REVISIONS			
DRAWING NO.	REV	DESCRIPTION	DATE	ECO	APPR
THIRD ANGLE PROJ.	NC	INITIAL RELEASE	22-Aug-07	--	--
	A	REVISE INSULATOR MATERIAL TO TEFLON	08-Jan-08	--	--
	B	REMOVE POLY PRO INSULATOR FROM MATERIAL CALLOUT, ADD SPECIFICATIONS	10-Jul-08	--	--
	C	REVISE LEG LENGTH TO 3.2MM, BODY CENTERLINE TO 8.1MM	25-Jul-08	--	--
	D	CONTACT PROJECTION 1.50 [0.059"] MAX WAS 2.40 [0.095"] MAX	12-Jul-11	2196	HR

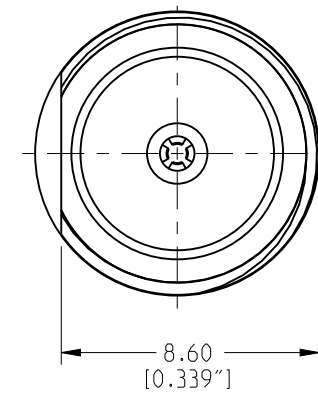


SCALE 1.500



PANEL CUTOUT

PCB MOUNTING PATTERN



DESCRIPTION	MATERIAL	FINISH	QTY
INSULATOR	TEFLON	NATURAL	2
CONTACT PIN	BRASS	BRT. TIN	1
CONTACT PIN	BRASS	BRT. TIN	1
BODY	BRASS	NICKEL	1

UNLESS OTHERWISE SPECIFIED, DIMENSIONS ARE IN INCHES AND TOLERANCES ARE:  
 2 PLACE DECIMAL ±.015 (0,381 mm)  
 3 PLACE DECIMAL ±.005 (0,127 mm)  
 ANGLES ± 1°

NOTICE - These drawings, specifications, or other data (1) are, and remain the property of Amphenol Corp. (2) must be returned upon request; and (3) are confidential and not to be disclosed to any person other than those to whom they are given by Amphenol Corp. The furnishing of these drawings, specifications, or other data by Amphenol Corp., or to any other person to anyone for any purpose is not to be regarded by implication or otherwise in any manner licensing, granting rights or permitting such holder or any other person to manufacture, use or sell any product, process or design, patented or otherwise, that may in any way be related to or disclosed by said drawings, specifications, or other data.

MATERIAL	SEE TABLE
REFERENCE	TASK-698

DRAWN	HARI R	DATE	11-Jul-11
ENGINEER	G.R.S	DATE	25-Jul-08
APPROVED		DATE	
CAD FILE	Root Folder:/connector/:222128-12		

TITLE	F SERIES RIGHT ANGLE PCB RECEPTACLE SHORT BODY
DWG SIZE	B
DRAWING NO.	222128-12

Amphenol Connex	
SCALE: 4.0:1	SHEET 1 OF 1
REV	D

## X-ON Electronics

Largest Supplier of Electrical and Electronic Components

*Click to view similar products for [RF Connectors / Coaxial Connectors](#) category:*

*Click to view products by [Amphenol](#) manufacturer:*

Other Similar products are found below :

[8915-1511-000](#) [89674-0827](#) [6001-7071-019](#) [6002-7051-003](#) [6002-7551-202](#) [6059674-1](#) [619550-1](#) [630059-000](#) [M39030/3-01N](#) [M3933/25-36N](#) [6500-7071-046](#) [6769](#) [CX050L2AQ](#) [7002-1542-011](#) [7004-1512-000](#) [7009-1511-004](#) [7010-1511-000](#) [7029-1511-060](#) [7101-1541-010](#) [7101-1571-002](#) [7105-1521-002](#) [7145-1521-002](#) [7203-1571-003](#) [7209-1511-011](#) [7210-1511-015](#) [7210-1511-019](#) [73137-5015](#) [73216-2241](#) [7325-1512-000](#) [73404-2300](#) [7405-1521-005](#) [7405-1521-802](#) [7406-1521-005](#) [8527](#) [8547](#) [FS11V](#) [8808-1511-001](#) [9049-9513-000](#) [9074-9513-000](#) [9101-9573-002](#) [910A205F](#) [9130-9573-002](#) [PL11SC-026](#) [PL375-33](#) [PL40-5](#) [PL71-9](#) [PL74C-221](#) [PL75MC-217](#) [PL803-7](#) [980-8666-005](#)