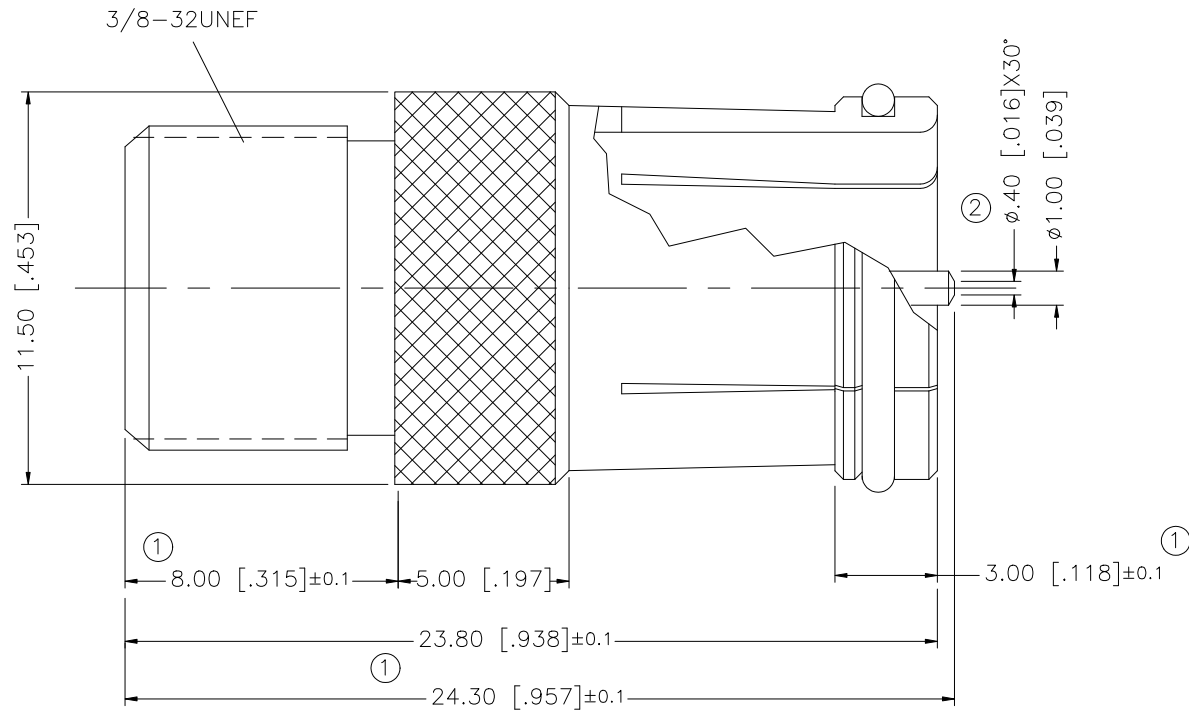


REV.	DATE	DESCRIPTION
NC	11/06/99	INITIAL RELEASE
A	12/27/05	UPDATE DRAWING FORMAT
B	04/20/06	REVISE BODY DIMENSIONS ①
C	07/12/07	ADD CHAMFER TO CONTACT PIN ②



DESCRIPTION	MATERIAL	FINISH	QTY	DO NOT SCALE DRAWING	CAD FILE	DWG. NO.	REV.	SIZE	SCALE		
8											
7											
6											
5											
4	CONTACT PIN	BRASS	BRIGHT TIN	1							
3	INSULATOR	P.P.	NATURAL	1							
2	INSULATOR	DELRIN	NATURAL	1							
1	BODY	BRASS	NICKEL	1							
UNLESS OTHERWISE SPECIFIED DIMENSIONS ARE IN MILLIMETERS. DIMENSIONS IN [] ARE IN INCHES AND FOR CUSTOMER REFERENCE ONLY.				APPROVALS		DATE		<h1 style="color: blue; text-align: center;">Amphenol Connex</h1> <p style="text-align: center;">F FEMALE TO QUICK DISCONNECT MALE ADAPTER</p> <p style="text-align: center;">PART NO. 222157</p>			
UNLESS OTHERWISE SPECIFIED TOLERANCES FOR MILLIMETERS ARE: 0.5 - 8mm ± 0.20mm 8 - 30mm ± 0.40mm 30 - 120mm ± 0.50mm				DRAWN G.R.S.		07/12/07					
UNLESS OTHERWISE SPECIFIED TOLERANCES FOR INCHES ARE: .020 - .315 = ± 0.007" .315 - 1.180 = ± 0.015" 1.180 - 4.724 = ± 0.020"				CHECKED							
				ISSUED							
				SHEET 1 OF 1							
					C:/222/222157.DWG		222157.DWG		C	A	NA

X-ON Electronics

Largest Supplier of Electrical and Electronic Components

Click to view similar products for [RF Adapters - In Series category:](#)

Click to view products by [Amphenol manufacturer:](#)

Other Similar products are found below :

[5916-1103-603](#) [5918-1103-000](#) [5919-1503-000](#) [651A505](#) [82-5552](#) [9030-9523-502](#) [A0407000](#) [R114703000W](#) [R125704000](#) [R125771001](#)
[R141710000W](#) [R141723161](#) [R141730000](#) [R143730700](#) [R143770000](#) [R161703000W](#) [R161730000](#) [R161753000W](#) [R161791530W](#)
[R201705000](#) [R222705200](#) [R222M40010W](#) [R223703180](#) [R316754000](#) [R405006000](#) [R443162000](#) [AD78TL](#) [HRM-513S](#) [1996352-2](#)
[2157155-1](#) [252169-75](#) [AD158](#) [2101130-1](#) [252186](#) [R114704000W](#) [R114720000W](#) [R125705001](#) [R125705701](#) [R125771000](#) [R125771001W](#)
[R125791501W](#) [R127704001](#) [R127.870.001](#) [R127872001](#) [R141717000](#) [R142710000](#) [R142723000](#) [R143703000](#) [R143704000](#) [R143705700](#)