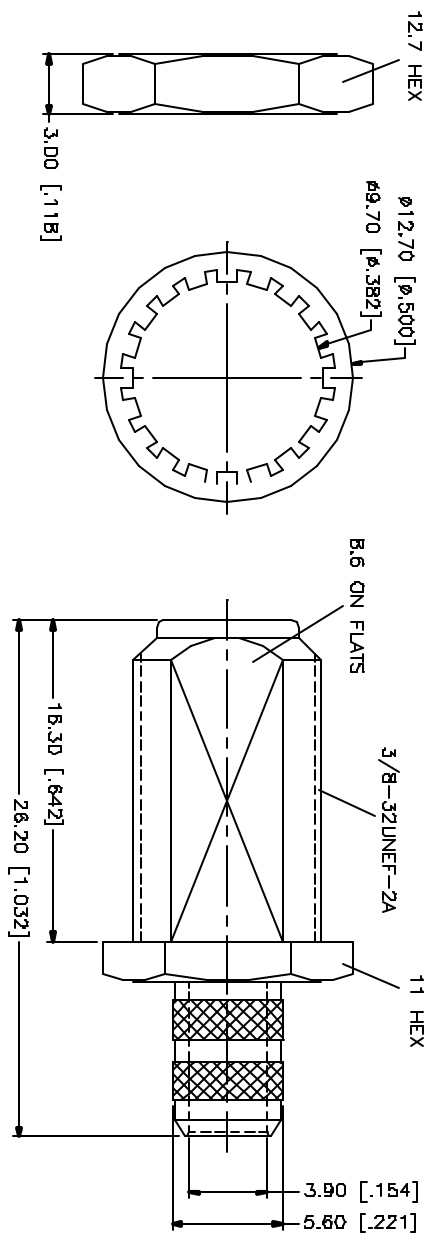
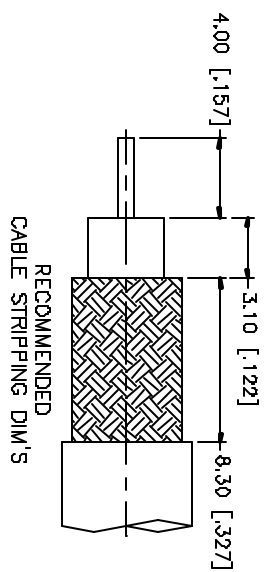
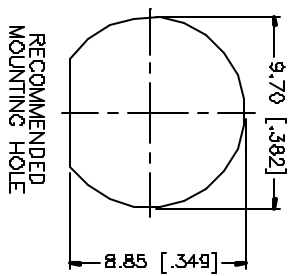


REV.	DATE	DESCRIPTION
NC	10/15/04	INITIAL RELEASE



- NOTES:
 1. CRIMPED FERRULE
 HEX CRIMP SIZE .255"
 2. CONTACT PIN TO SOLDER

B	DESCRIPTION	MATERIAL	FINISH	QTY	DO NOT SCALE DRAWING
1	INSULATOR BODY	BRASS	NICKEL	1	
2	INSULATOR	TEFLON	NATURAL	1	
3	CONTACT PIN	PHOS. BRONZE	GOLD	1	
4	FERRULE	COPPER	NICKEL	1	
5	LOCK WASHER	BRASS	NICKEL	1	
6	HEX NUT	BRASS	NICKEL	1	
7					
B					

UNLESS OTHERWISE SPECIFIED DIMENSIONS ARE IN MILLIMETERS DIMENSIONS IN [] ARE IN INCHES AND FOR QUOTE/RETAIN REFERENCE ONLY.
 UNLESS OTHERWISE SPECIFIED TOLERANCES FOR MILLIMETERS ARE:
 0.5 - 30mm ± 0.20mm
 30 - 50mm ± 0.40mm
 50 - 120mm ± 0.50mm
 UNLESS OTHERWISE SPECIFIED TOLERANCES FOR INCHES ARE:
 .020 - .315 = ± 0.007"
 .315 - 1.180 = ± 0.015"
 1.180 - 4.724 = ± 0.020"

APPROVALS: DRAWN G.R.S. DATE 10/15/04
 DESIGNED ISBLD
 SHEET 1 OF 1

PART DESCRIPTION: F BULKHEAD CRIMP JACK (FOR RG-59/U)
 PART NO.: 222158-10

DWG. NO.: 222158-10.DWG
 REV. NC
 SIZE A
 SCALE NA

Amphenol Connex

X-ON Electronics

Largest Supplier of Electrical and Electronic Components

Click to view similar products for [RF Connectors / Coaxial Connectors](#) category:

Click to view products by [Amphenol](#) manufacturer:

Other Similar products are found below :

[8915-1511-000](#) [89674-0827](#) [6001-7071-019](#) [6002-7051-003](#) [6002-7551-202](#) [6059674-1](#) [619550-1](#) [630059-000](#) [M39030/3-01N](#) [M3933/25-36N](#) [6500-7071-046](#) [6769](#) [CX050L2AQ](#) [7002-1542-011](#) [7004-1512-000](#) [7009-1511-004](#) [7010-1511-000](#) [7029-1511-060](#) [7101-1541-010](#) [7101-1571-002](#) [7105-1521-002](#) [7145-1521-002](#) [7203-1571-003](#) [7209-1511-011](#) [7210-1511-015](#) [7210-1511-019](#) [73137-5015](#) [73216-2241](#) [7325-1512-000](#) [73404-2300](#) [7405-1521-005](#) [7405-1521-802](#) [7406-1521-005](#) [8527](#) [8547](#) [FS11V](#) [8808-1511-001](#) [9049-9513-000](#) [9074-9513-000](#) [9101-9573-002](#) [910A205F](#) [9130-9573-002](#) [PL11SC-026](#) [PL375-33](#) [PL40-5](#) [PL71-9](#) [PL74C-221](#) [PL75MC-217](#) [PL803-7](#) [980-8666-005](#)