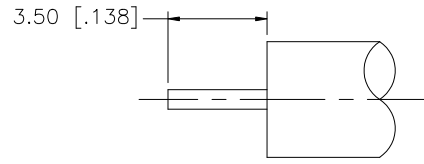
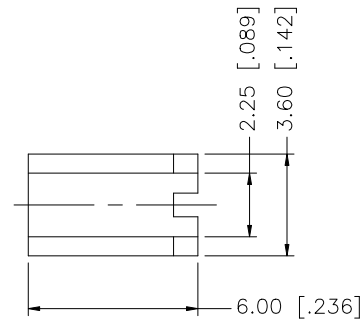
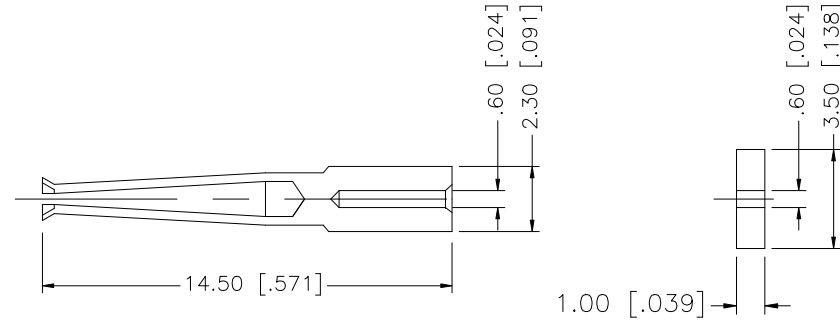
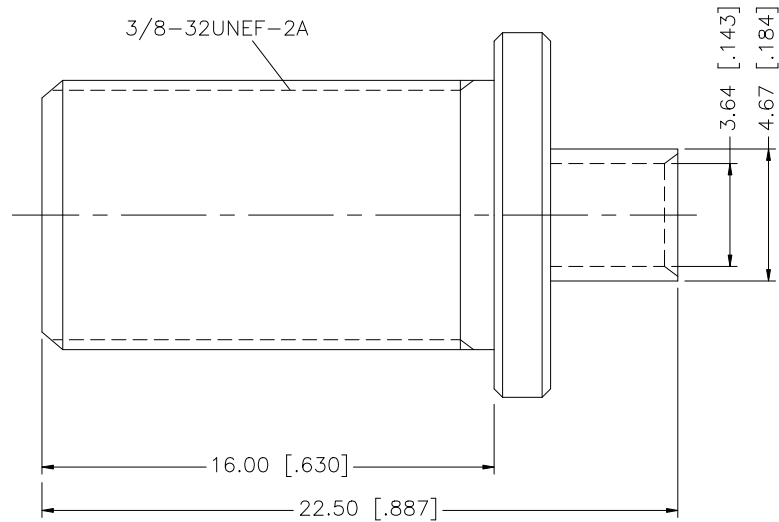


REV.	DATE	DESCRIPTION
A	11/08/01	MODIFY MATING FACE / ADD SCTE NOTE
B	12/22/05	MODIFY SOLDER BARREL PLATING / UPDATE DRAWING FORMAT
C	11/18/07	ADD NOTES, REVISE CONTACT PIN DIAMETER 2.3mm



RECOMMENDED CABLE STRIPPING DIM'S.



NOTES:

1. IMPEDANCE: 75ohm
2. TEMPERATURE RANGE: -40°F TO 140°F
3. FREQUENCY RANGE: DC TO 2 GHz
4. RETURN LOSS: LESS THAN -20dB AT 2 GHz
5. INSERTION LOSS LESS THAN .05dB AT 2 GHz
6. RF LEAKAGE: -100dB AT 1 GHz
7. INSULATION RESISTANCE: 5000 MEGAohm (MIN)
8. DIELECTRIC WITHSTANDING VOLTAGE: 1000V RMS
9. MATING TORQUE: 20 in/lbs. RECOMMENDED
10. CONTACT PIN TO SOLDER
11. MAX. PANEL THICKNESS = 7.0mm
12. ACCEPTS  $\phi 0.5 \sim \phi 1.05$  CENTER CONDUCTOR TYPICAL.
13. MEETS SCTE INTERFACE DIMENSIONS.

8				
7				
6				
5				
4	SOLDER BARREL	BRASS	BRIGHT TIN	1
3	CONTACT PIN	BER. COPPER	GOLD	1
2	INSULATOR	TEFLON	NATURAL	1
1	BODY	BRASS	BRIGHT TIN	1
	DESCRIPTION	MATERIAL	FINISH	QTY

UNLESS OTHERWISE SPECIFIED DIMENSIONS ARE IN MILLIMETERS. DIMENSIONS IN [ ] ARE IN INCHES AND FOR CUSTOMER REFERENCE ONLY.

UNLESS OTHERWISE SPECIFIED TOLERANCES FOR MILLIMETERS ARE:  
0.5 - 8mm  $\pm 0.20$ mm  
8 - 30mm  $\pm 0.40$ mm  
30 - 120mm  $\pm 0.50$ mm

UNLESS OTHERWISE SPECIFIED TOLERANCES FOR INCHES ARE:  
.020 - .315 =  $\pm 0.007$ "  
.315 - 1.180 =  $\pm 0.015$ "  
1.180 - 4.724 =  $\pm 0.020$ "

DO NOT SCALE DRAWING

APPROVALS	DATE
DRAWN G.R.S.	11/18/07
CHECKED	
ISSUED	
SHEET 1 OF 1	
CAD FILE	C:/222/222168.DWG

# Amphenol Connex

PART DESCRIPTION

F DIRECT SOLDER JACK  
(FOR .085", .086" CABLE)

PART NO.

222168

DWG. NO.

222168.DWG

REV. C

SIZE A

SCALE NA

## X-ON Electronics

Largest Supplier of Electrical and Electronic Components

*Click to view similar products for [RF Connectors / Coaxial Connectors](#) category:*

*Click to view products by [Amphenol](#) manufacturer:*

Other Similar products are found below :

[8915-1511-000](#) [89674-0827](#) [6001-7071-019](#) [6002-7051-003](#) [6002-7551-202](#) [6059674-1](#) [619550-1](#) [630059-000](#) [M39030/3-01N](#) [M3933/25-36N](#) [6500-7071-046](#) [6769](#) [CX050L2AQ](#) [7002-1542-011](#) [7004-1512-000](#) [7009-1511-004](#) [7010-1511-000](#) [7029-1511-060](#) [7101-1541-010](#) [7101-1571-002](#) [7105-1521-002](#) [7145-1521-002](#) [7203-1571-003](#) [7209-1511-011](#) [7210-1511-015](#) [7210-1511-019](#) [73137-5015](#) [73216-2241](#) [7325-1512-000](#) [73404-2300](#) [7405-1521-005](#) [7405-1521-802](#) [7406-1521-005](#) [8527](#) [8547](#) [FS11V](#) [8808-1511-001](#) [9049-9513-000](#) [9074-9513-000](#) [9101-9573-002](#) [910A205F](#) [9130-9573-002](#) [PL11SC-026](#) [PL375-33](#) [PL40-5](#) [PL71-9](#) [PL74C-221](#) [PL75MC-217](#) [PL803-7](#) [980-8666-005](#)