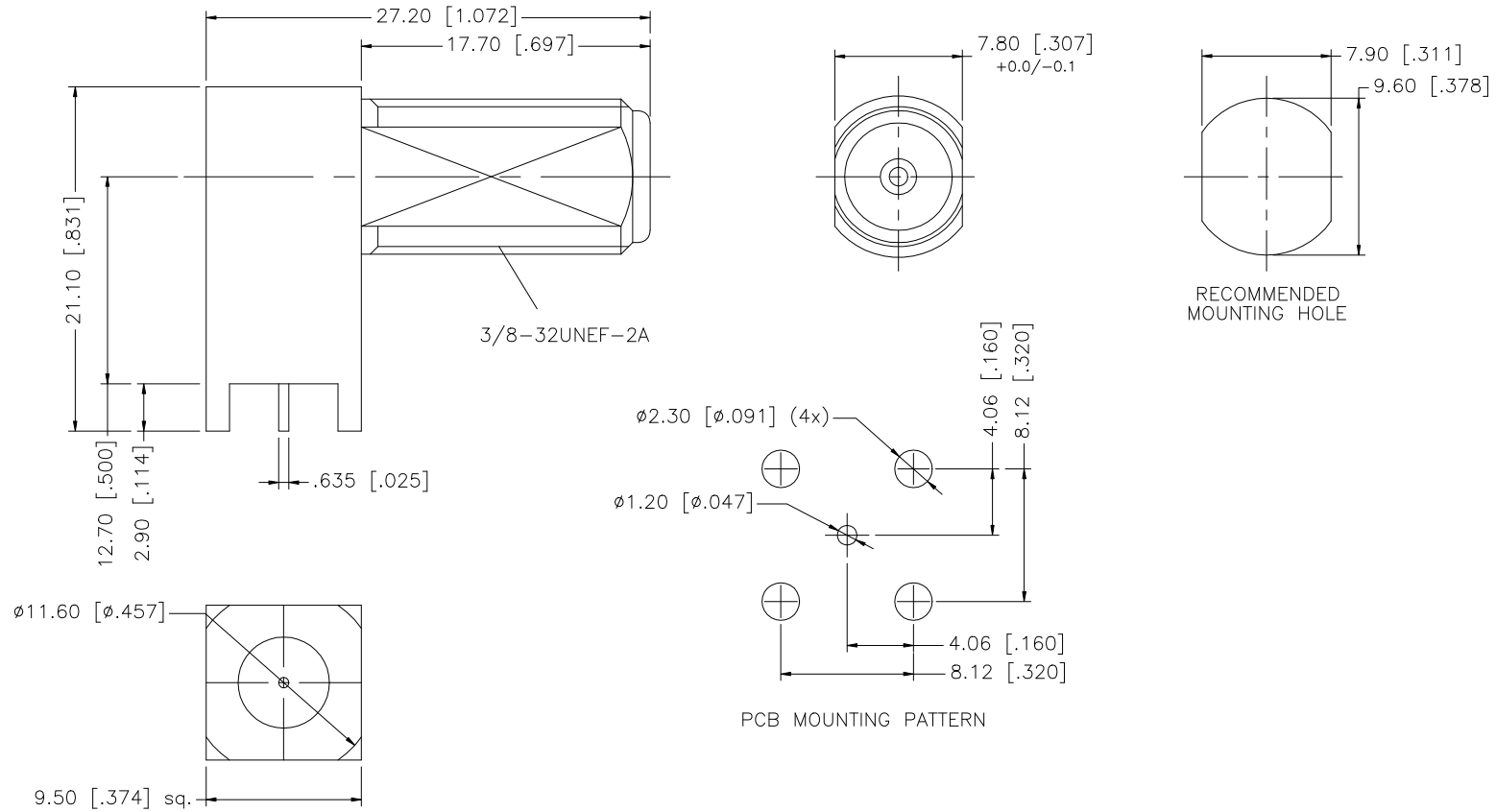


REV.	DATE	DESCRIPTION
NC	05/20/02	INITIAL RELEASE
A	04/11/06	UPDATE DRAWING FORMAT



NOTES;

1. ACCEPTS $\phi 0.5 \sim 1.05$ CENTER CONDUCTOR TYPICAL.
2. RETURN LOSS -15db MIN. AT 2 GHz.
3. BRT. TIN (90/100) PL. 100 MIN. THICK OVER NICKEL PL. 50 MIN.

				UNLESS OTHERWISE SPECIFIED DIMENSIONS ARE IN MILLIMETERS. DIMENSIONS IN [] ARE IN INCHES AND FOR CUSTOMER REFERENCE ONLY.	APPROVALS	DATE	Amphenol Connex				
8					DRAWN	G.R.S.					04/11/06
7					CHECKED			PART NO. 222180			
6	INSULATOR	TEFLON	NATURAL	1	ISSUED						
5	CONTACT PIN	BRASS	GOLD	1	SHEET	1 OF 1		REV. A	SIZE A	SCALE NA	
4	INSULATOR	TEFLON	NATURAL	1	CAD FILE		C:/222/1222180.DWG				
3	CONTACT PIN	BER. COPPER	GOLD	1	UNLESS OTHERWISE SPECIFIED TOLERANCES FOR MILLIMETERS ARE: 0.5 - 8mm \pm 0.20mm 8 - 30mm \pm 0.40mm 30 - 120mm \pm 0.50mm UNLESS OTHERWISE SPECIFIED TOLERANCES FOR INCHES ARE: .020 - .315 = \pm 0.007" .315 - 1.180 = \pm 0.015" 1.180 - 4.724 = \pm 0.020"		DO NOT SCALE DRAWING				
2	INSULATOR	TEFLON	BRT. TIN	1							
1	BODY	BRASS	BRT. TIN	1							
	DESCRIPTION	MATERIAL	FINISH	QTY							

X-ON Electronics

Largest Supplier of Electrical and Electronic Components

Click to view similar products for [RF Connectors / Coaxial Connectors](#) category:

Click to view products by [Amphenol](#) manufacturer:

Other Similar products are found below :

[8915-1511-000](#) [89674-0827](#) [6001-7071-019](#) [6002-7051-003](#) [6002-7551-202](#) [6059674-1](#) [619550-1](#) [630059-000](#) [M39030/3-01N](#) [M3933/25-36N](#) [6500-7071-046](#) [6769](#) [CX050L2AQ](#) [7002-1542-011](#) [7004-1512-000](#) [7009-1511-004](#) [7010-1511-000](#) [7029-1511-060](#) [7101-1541-010](#) [7101-1571-002](#) [7105-1521-002](#) [7145-1521-002](#) [7203-1571-003](#) [7209-1511-011](#) [7210-1511-015](#) [7210-1511-019](#) [73137-5015](#) [73216-2241](#) [7325-1512-000](#) [73404-2300](#) [7405-1521-005](#) [7405-1521-802](#) [7406-1521-005](#) [8527](#) [8547](#) [FS11V](#) [8808-1511-001](#) [9049-9513-000](#) [9074-9513-000](#) [9101-9573-002](#) [910A205F](#) [9130-9573-002](#) [PL11SC-026](#) [PL375-33](#) [PL40-5](#) [PL71-9](#) [PL74C-221](#) [PL75MC-217](#) [PL803-7](#) [980-8666-005](#)