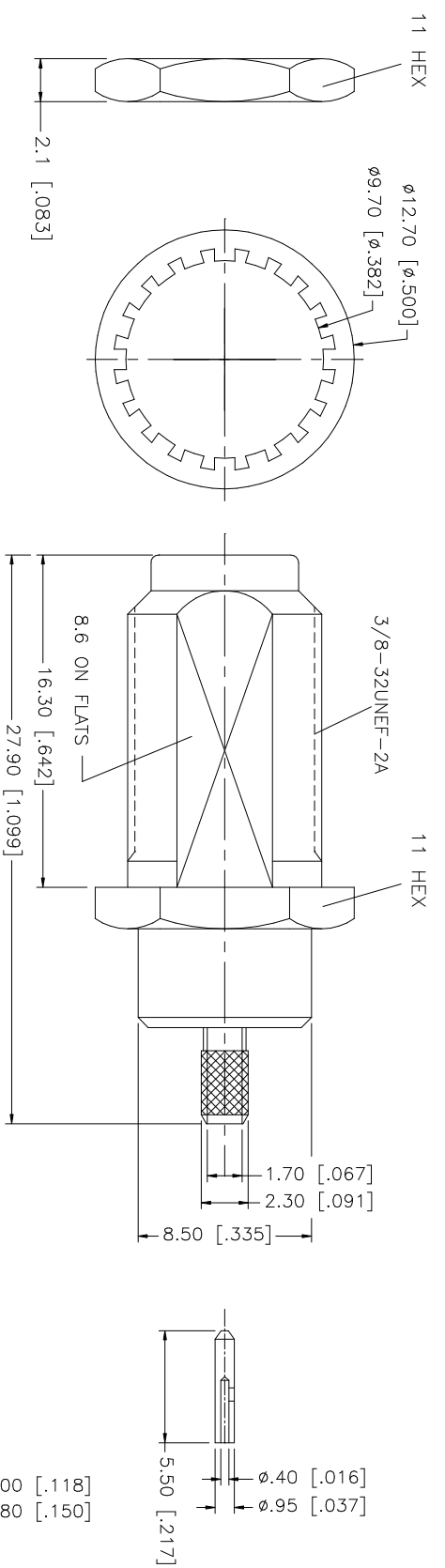
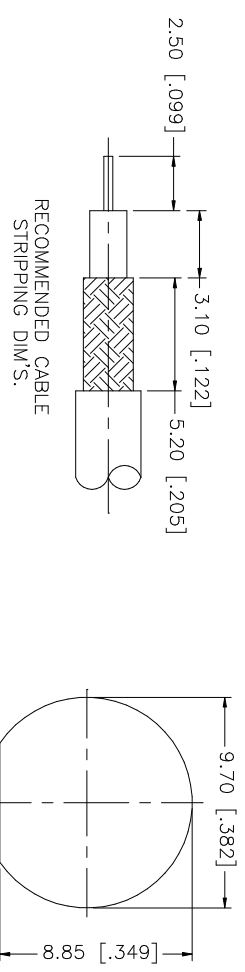
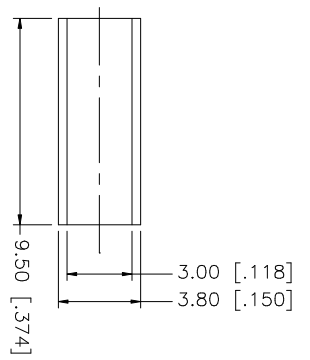


REV.	DATE	DESCRIPTION
NC	11/10/03	INITIAL RELEASE



NOTE:  
 1. CRIMPED FERRULE HEX SIZE .128"  
 2. ACCEPTS  $\phi 0.5 \sim 1.05$  CENTER CONDUCTOR TYPICAL.



8																			
7																			
6	FERRULE	COPPER	NICKEL	1															
5	HEX NUT	BRASS	NICKEL	1															
4	LOCK WASHER	BRASS	NICKEL	1															
3	INSULATOR	TEFLON	NATURAL	1															
2	CONTACT PIN	BER. COPPER	GOLD	1															
1	HOUSING/BODY	BRASS	NICKEL	1															
	DESCRIPTION	MATERIAL	FINISH	QTY															
UNLESS OTHERWISE SPECIFIED DIMENSIONS ARE IN INCHES AND FOR CUSTOMER REFERENCE ONLY.					UNLESS OTHERWISE SPECIFIED DIMENSIONS ARE IN MILLIMETERS AND FOR CUSTOMER REFERENCE ONLY.					UNLESS OTHERWISE SPECIFIED DIMENSIONS ARE IN MILLIMETERS AND FOR CUSTOMER REFERENCE ONLY.									
TOLERANCES FOR MILLIMETERS ARE:					TOLERANCES FOR MILLIMETERS ARE:					TOLERANCES FOR MILLIMETERS ARE:									
0.3 - 8mm ± 0.20mm					0.3 - 8mm ± 0.20mm					0.3 - 8mm ± 0.20mm									
8 - 30mm ± 0.40mm					8 - 30mm ± 0.40mm					8 - 30mm ± 0.40mm									
30 - 120mm ± 0.50mm					30 - 120mm ± 0.50mm					30 - 120mm ± 0.50mm									
UNLESS OTHERWISE SPECIFIED DIMENSIONS FOR INCHES ARE:					UNLESS OTHERWISE SPECIFIED DIMENSIONS FOR INCHES ARE:					UNLESS OTHERWISE SPECIFIED DIMENSIONS FOR INCHES ARE:									
.020 - .315 = ± 0.007"					.020 - .315 = ± 0.007"					.020 - .315 = ± 0.007"									
.315 - 1.180 = ± 0.015"					.315 - 1.180 = ± 0.015"					.315 - 1.180 = ± 0.015"									
1.180 - 4.724 = ± 0.020"					1.180 - 4.724 = ± 0.020"					1.180 - 4.724 = ± 0.020"									
DO NOT SCALE DRAWING					DO NOT SCALE DRAWING					DO NOT SCALE DRAWING									
APPROVALS		DATE		PART DESCRIPTION		DWG. NO.		REV.		SIZE		SCALE							
DRAWN G.R.S.		11/10/03		F BULKHEAD CRIMP JACK FOR RG-174/U, 179/U, 179B/U, 187A/U CABLE)		222192		NC		A		NA							
CHECKED				PART NO.		222192													
ISSUED				SHEET		1 OF 1													
CAD FILE		C:/222/222192.DWG		DWG. NO.		222192.DWG													

**Amphenol Connex**

## X-ON Electronics

Largest Supplier of Electrical and Electronic Components

*Click to view similar products for [RF Connectors / Coaxial Connectors](#) category:*

*Click to view products by [Amphenol](#) manufacturer:*

Other Similar products are found below :

[8915-1511-000](#) [89674-0827](#) [6001-7071-019](#) [6002-7051-003](#) [6002-7551-202](#) [6059674-1](#) [619550-1](#) [630059-000](#) [M39030/3-01N](#) [M3933/25-36N](#) [6500-7071-046](#) [6769](#) [CX050L2AQ](#) [7002-1542-011](#) [7004-1512-000](#) [7009-1511-004](#) [7010-1511-000](#) [7029-1511-060](#) [7101-1541-010](#) [7101-1571-002](#) [7105-1521-002](#) [7145-1521-002](#) [7203-1571-003](#) [7209-1511-011](#) [7210-1511-015](#) [7210-1511-019](#) [73137-5015](#) [73216-2241](#) [7325-1512-000](#) [73404-2300](#) [7405-1521-005](#) [7405-1521-802](#) [7406-1521-005](#) [8527](#) [8547](#) [FS11V](#) [8808-1511-001](#) [9049-9513-000](#) [9074-9513-000](#) [9101-9573-002](#) [910A205F](#) [9130-9573-002](#) [PL11SC-026](#) [PL375-33](#) [PL40-5](#) [PL71-9](#) [PL74C-221](#) [PL75MC-217](#) [PL803-7](#) [980-8666-005](#)