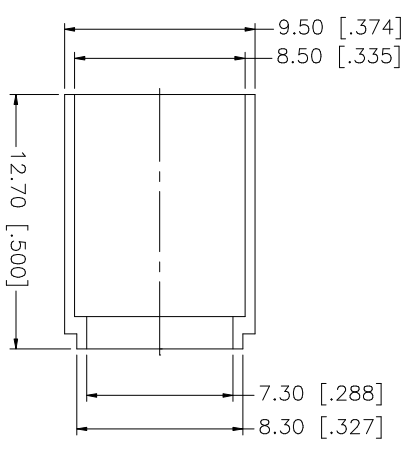
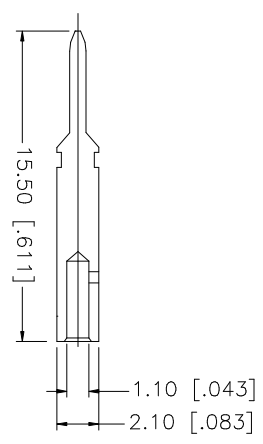
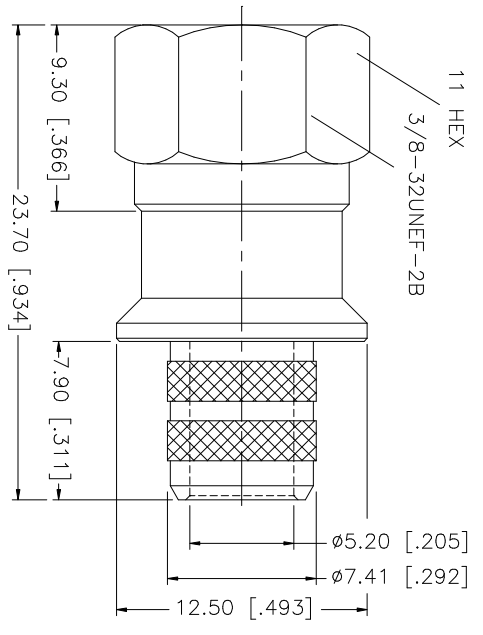
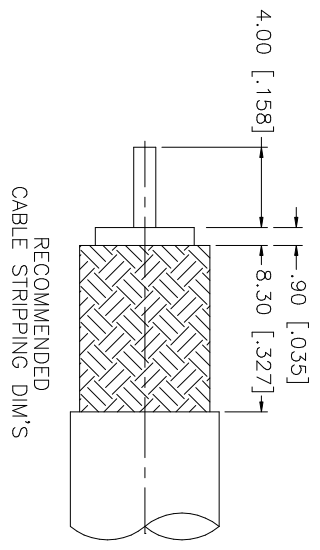


| REV. | DATE | DESCRIPTION |
|------|----------|-----------------|
| NC | 04/14/04 | INITIAL RELEASE |



CRIMP NOTES:

1. CRIMPED FERRULE
HEX CRIMP SIZE .324"
2. CRIMPED CONTACT PIN
HEX CRIMP SIZE .068"

| UNLESS OTHERWISE SPECIFIED DIMENSIONS ARE IN INCHES AND FOR CUSTOMER REFERENCE ONLY. | UNLESS OTHERWISE SPECIFIED DIMENSIONS ARE IN MILLIMETERS FOR MILLIMETERS ARE: | UNLESS OTHERWISE SPECIFIED DIMENSIONS ARE IN INCHES AND FOR CUSTOMER REFERENCE ONLY. | UNLESS OTHERWISE SPECIFIED DIMENSIONS ARE IN MILLIMETERS FOR MILLIMETERS ARE: | APPROVALS | DATE | PART DESCRIPTION |
|--------------------------------------------------------------------------------------|-------------------------------------------------------------------------------|--------------------------------------------------------------------------------------|-------------------------------------------------------------------------------|-----------|----------------------|--------------------------------------------------------------------------------------|
| 8 | | 0.5 - 8mm ± 0.20mm | | DRAWN | 04/14/04 | Amphenol Connex F CRIMP PLUG (FOR BELDEN 1694A CABLE) 222194 |
| 7 | | 8 - 30mm ± 0.40mm | | CHECKED | | |
| 6 | | 30 - 120mm ± 0.50mm | | ISSUED | | |
| 5 | | | | SHEET | 1 OF 1 | |
| 4 | FERRULE | BRASS | NICKEL | | | |
| 3 | CONTACT PIN | BRASS | GOLD | | | |
| 2 | INSULATOR | DELRIN | NATURAL | | | |
| 1 | BODY | BRASS | NICKEL | | | |
| DESCRIPTION | | MATERIAL | FINISH | QTY | DO NOT SCALE DRAWING | |
| CAD FILE | | C:/222/222194.DWG | | DWG. NO. | 222194.DWG | REV. NC |
| | | SIZE | A | SCALE | NA | |

X-ON Electronics

Largest Supplier of Electrical and Electronic Components

Click to view similar products for [RF Connectors / Coaxial Connectors](#) category:

Click to view products by [Amphenol](#) manufacturer:

Other Similar products are found below :

[8915-1511-000](#) [89674-0827](#) [6001-7071-019](#) [6002-7051-003](#) [6002-7551-202](#) [6059674-1](#) [619550-1](#) [630059-000](#) [M39030/3-01N](#) [6500-7071-046](#) [6769](#) [CX050L2AQ](#) [7002-1542-011](#) [7004-1512-000](#) [7009-1511-004](#) [7010-1511-000](#) [7029-1511-060](#) [7101-1541-010](#) [7101-1571-002](#) [7105-1521-002](#) [7145-1521-002](#) [7203-1571-003](#) [7209-1511-011](#) [7210-1511-015](#) [7210-1511-019](#) [73137-5015](#) [73216-2241](#) [7325-1512-000](#) [73404-2300](#) [7405-1521-005](#) [7405-1521-802](#) [7406-1521-005](#) [8527](#) [8547](#) [FS11V](#) [8808-1511-001](#) [9049-9513-000](#) [9074-9513-000](#) [9101-9573-002](#) [910A205F](#) [9130-9573-002](#) [PL11SC-026](#) [PL375-33](#) [PL40-5](#) [PL71-9](#) [PL74C-221](#) [PL75MC-217](#) [PL803-7](#) [980-8666-005](#) [1200690078](#)