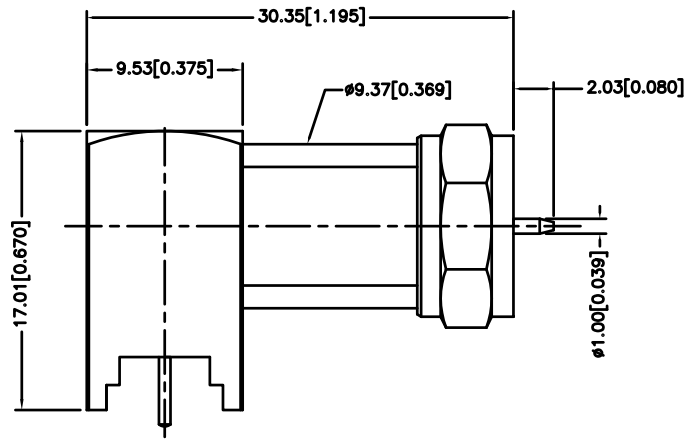
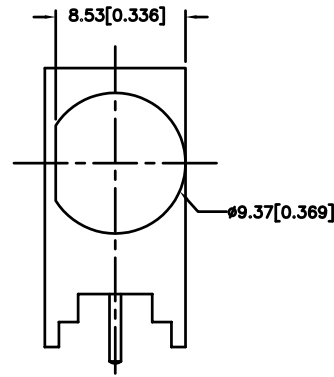


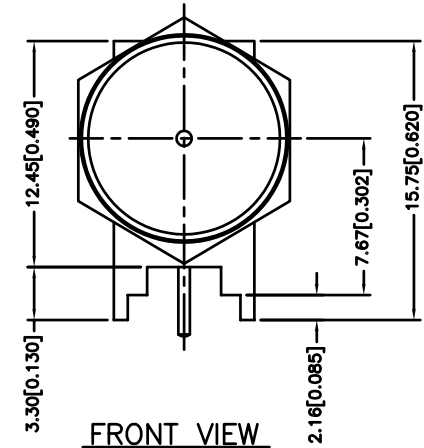
REV.	DATE	ECR NO	DESCRIPTION
A	09/15/10	--	RELEASE TO MFG.
B	11/22/10	2124	PLASTIC PLATE REMOVED



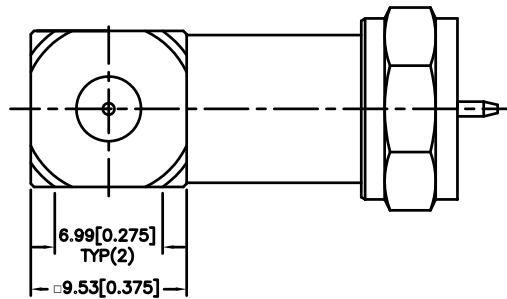
SIDE VIEW



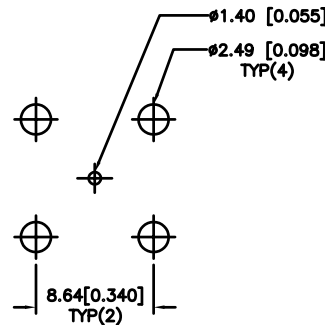
NECK VIEW



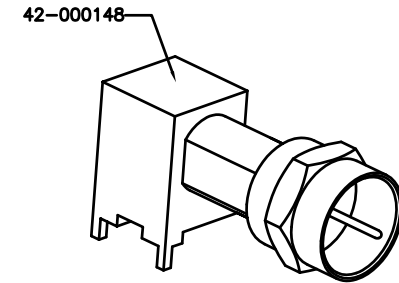
FRONT VIEW



BOTTOM VIEW



RECOMMENDED HOLE PATTERN



ISO VIEW

NOTES: FINISH (PLATING THICKNESS IN MICRO-INCHES)

				UNLESS OTHERWISE SPECIFIED DIMENSIONS ARE IN MILLIMETERS. DIMENSIONS IN [] ARE IN INCHES AND FOR CUSTOMER REFERENCE ONLY.	APPROVALS	DATE	Amphenol Connex						
				UNLESS OTHERWISE SPECIFIED TOLERANCES FOR MILLIMETERS ARE: 0.5 - 8mm ± 0.20mm 8 - 30mm ± 0.40mm 30 - 120mm ± 0.50mm	DRAWN	CLEMENT					07/23/10	PART DESCRIPTION F R/A PCB RECEPTACLE PLUG	
				UNLESS OTHERWISE SPECIFIED TOLERANCES FOR INCHES ARE: .020 - .315 = ± 0.007" .315 - 1.180 = ± 0.015" 1.180 - 4.724 = ± 0.020"	CHECKED			PART NO. 222213					
4	CONTACT PIN	BRASS	BRIGHT TIN	1	ISSUED							DWG. NO. 222213.DWG	
3	INSULATOR	DELTRIN	NATURAL	2	SHEET	1 OF 1		REV.	B	SIZE	A		
2	COUPLING NUT	ZINK	NICKEL	1	CAD FILE				C:/222/222213.DWG				
1	BODY	BRASS	NICKEL	1	DO NOT SCALE DRAWING								
DESCRIPTION				MATERIAL	FINISH	QTY							

X-ON Electronics

Largest Supplier of Electrical and Electronic Components

Click to view similar products for [RF Connectors / Coaxial Connectors](#) category:

Click to view products by [Amphenol](#) manufacturer:

Other Similar products are found below :

[8915-1511-000](#) [89674-0827](#) [6001-7071-019](#) [6002-7051-003](#) [6002-7551-202](#) [6059674-1](#) [619550-1](#) [630059-000](#) [M39030/3-01N](#) [M3933/25-36N](#) [6500-7071-046](#) [6769](#) [CX050L2AQ](#) [7002-1542-011](#) [7004-1512-000](#) [7009-1511-004](#) [7010-1511-000](#) [7029-1511-060](#) [7101-1541-010](#) [7101-1571-002](#) [7105-1521-002](#) [7145-1521-002](#) [7203-1571-003](#) [7209-1511-011](#) [7210-1511-015](#) [7210-1511-019](#) [73137-5015](#) [73216-2241](#) [7325-1512-000](#) [73404-2300](#) [7405-1521-005](#) [7405-1521-802](#) [7406-1521-005](#) [8527](#) [8547](#) [FS11V](#) [8808-1511-001](#) [9049-9513-000](#) [9074-9513-000](#) [9101-9573-002](#) [910A205F](#) [9130-9573-002](#) [PL11SC-026](#) [PL375-33](#) [PL40-5](#) [PL71-9](#) [PL74C-221](#) [PL75MC-217](#) [PL803-7](#) [980-8666-005](#)