

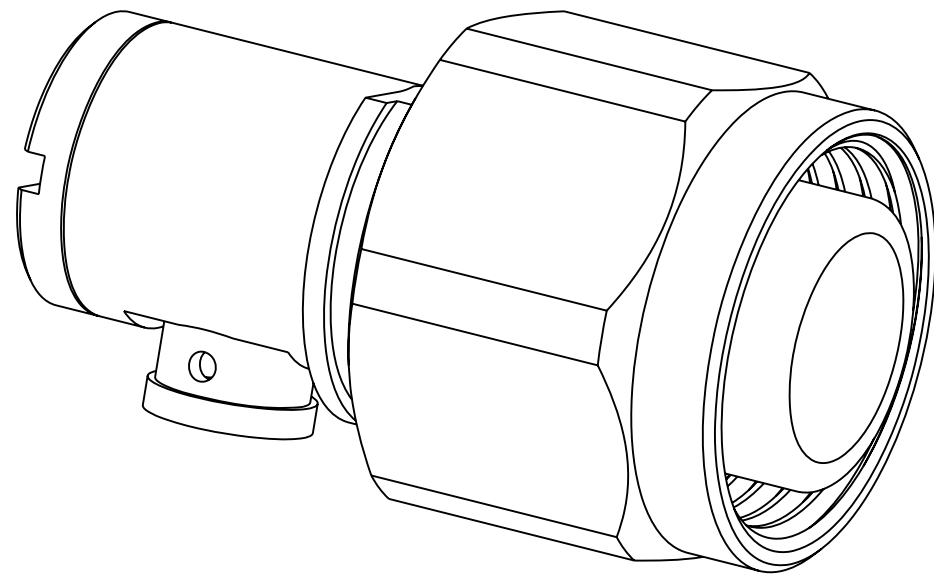
NOTES:

1. MATERIALS AND FINISHES:  
 BODY - BRASS, WHITE BRONZE PLATING  
 CONTACT - BRASS, SILVER PLATING  
 INSULATOR - PTFE, NATURAL  
 REAR INSULATOR - ULTEM, NATURAL  
 O-RING - SILICONE RUBBER, RED  
 CAP - BRASS, WHITE BRONZE PLATING
2. ELECTRICAL:  
 A. IMPEDANCE: 50 OHM  
 B. FREQUENCY RANGE: DC - 20 GHz  
 C. VSWR(RETURN LOSS): 33 dB @ DC-4 GHz  
 30 dB @ 4 -6 GHz  
 D. DIELECTRIC WITHSTANDING VOLTAGE: 1500 VRMS, MIN.  
 F. INTERMODULATION 3rd ORDER: -166 dBc @2X20W
3. MECHANICAL:  
 A. DURABILITY: 100 CYCLES MIN.  
 B. TEMPERATURE RANGE: -65° C TO +165° C
4. SHOWS CABLE ENTRY DIMENSIONS
5. PACKAGING:  
 A. QUANTITY: SINGLE PACK  
 B. MARKING: PACKAGING TO BE MARKED  
 "AMPHENOL RF 225-106P-52A WWYY"

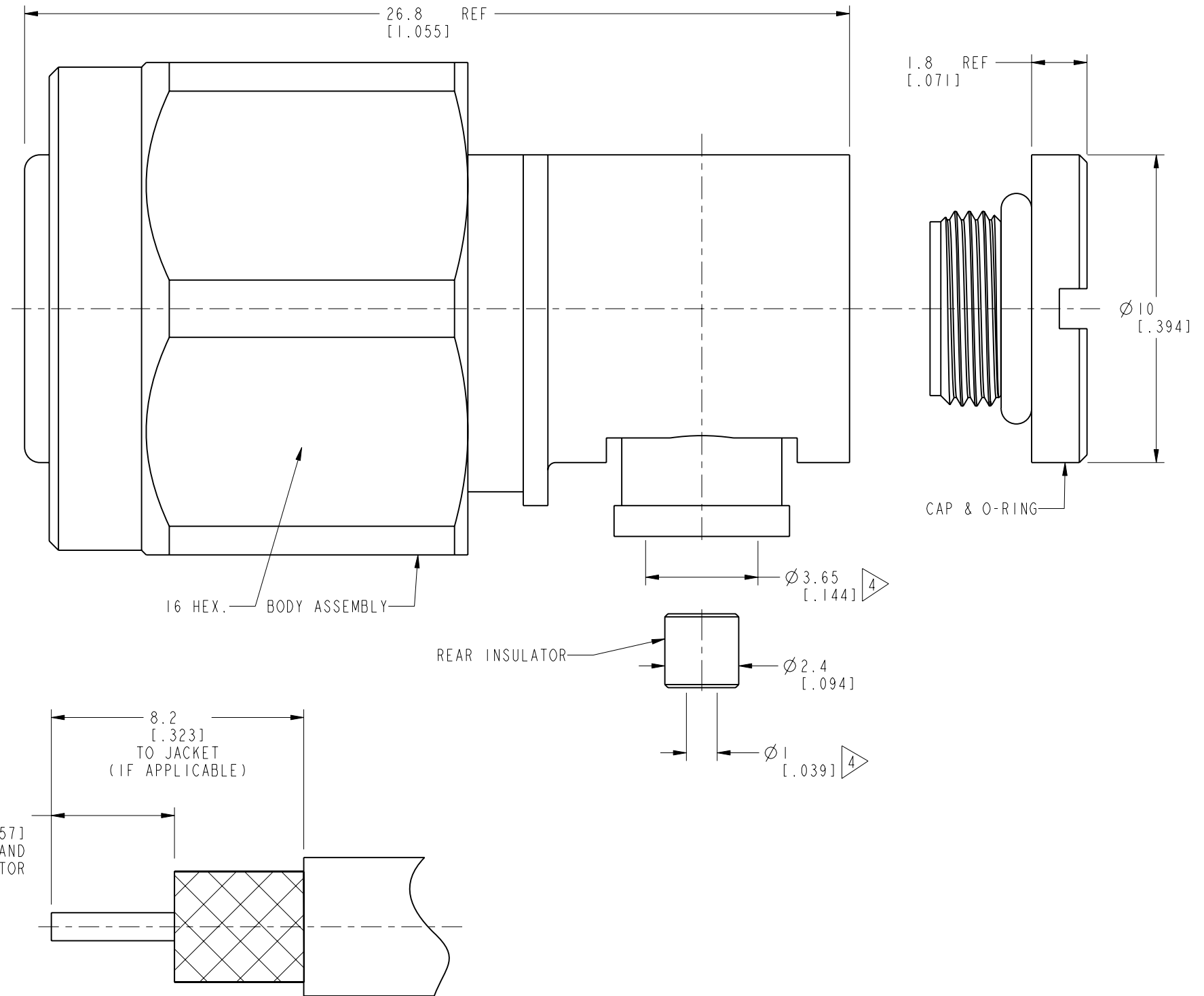
THIRD ANGLE PROJ.

REVISIONS

| REV | DESCRIPTION              | DATE      | ECN   | APPR |
|-----|--------------------------|-----------|-------|------|
| A   | RELEASE TO MANUFACTURING | 26-Jun-19 | 12024 | CJV  |



SCALE 4.000



RECOMMENDED CABLE STRIPPING DIMENSIONS

**CUSTOMER OUTLINE DRAWING**

ALL OTHER SHEETS ARE FOR INTERNAL USE ONLY

|   |           |          |           |  |                                   |                       |
|---|-----------|----------|-----------|--|-----------------------------------|-----------------------|
| UNLESS OTHERWISE SPECIFIED, DIMENSIONS ARE IN METRIC AND TOLERANCES ARE:<br><0.5mm ±0.05mm    0.5 - 6mm ±0.1mm    6 - 30mm ±0.2mm    30 - 120mm ±0.3mm    ANGLES ±1°  | MATERIAL  | DRAWN    | DATE      | TITLE<br>2.2-5 RA PLUG FOR<br>0.141" SEMI-RIGID<br>& CONFORMABLE | Amphenol RF<br>www.amphenolrf.com |                       |
|   | SEE NOTES | J.LUO    | 26-Jun-19 |  |                                   |                       |
| NOTICE - These drawings, specifications, or other data (1) are, and remain the property of Amphenol corp. (2) must be returned upon request; and (3) are confidential and not to be disclosed to any person other than those to whom they are given by Amphenol Corp. the furnishing of these drawings, specifications, or other data by Amphenol Corp., or to any other person to anyone for any purpose is not to be regarded by implication or otherwise in any manner licensing, granting rights to permitting such holder or any other person to manufacture, use or sell any product, process or design, patented or otherwise, that may in any way be related to or disclosed by said drawings, specifications, or other data. | REFERENCE | ENGINEER | DATE      | SCALE: 6.0:1.0   SHEET 2 OF 2                                    | DRAWING NO. 225-106P-52A          |                       |
|   | EAR# 8104 | S.DUAN   | 12-Jul-19 |  | ITEM NO. 225-106P-52A             |                       |
| REF: ---  | APPROVED  | S.HSIEH  | DATE      | DWG SIZE<br>B  | REV<br>A                          | PART NO. 225-106P-52A |
| CONFIGURATION LEVEL: In Work  | CAD FILE  | S.HSIEH  | 12-Jul-19 |  |                                   |                       |
| FINISH  |           |          |           |  |                                   |                       |

## X-ON Electronics

Largest Supplier of Electrical and Electronic Components

*Click to view similar products for [RF Connectors / Coaxial Connectors](#) category:*

*Click to view products by [Amphenol](#) manufacturer:*

Other Similar products are found below :

[8915-1511-000](#) [89674-0827](#) [6001-7071-019](#) [6002-7051-003](#) [6002-7551-202](#) [6059674-1](#) [619550-1](#) [630059-000](#) [M39030/3-01N](#) [M3933/25-36N](#) [6500-7071-046](#) [6769](#) [CX050L2AQ](#) [7002-1542-011](#) [7004-1512-000](#) [7009-1511-004](#) [7010-1511-000](#) [7029-1511-060](#) [7101-1541-010](#) [7101-1571-002](#) [7105-1521-002](#) [7145-1521-002](#) [7203-1571-003](#) [7209-1511-011](#) [7210-1511-015](#) [7210-1511-019](#) [73137-5015](#) [73216-2241](#) [7325-1512-000](#) [73404-2300](#) [7405-1521-005](#) [7405-1521-802](#) [7406-1521-005](#) [8527](#) [8547](#) [FS11V](#) [8808-1511-001](#) [9049-9513-000](#) [9074-9513-000](#) [9101-9573-002](#) [910A205F](#) [9130-9573-002](#) [PL11SC-026](#) [PL375-33](#) [PL40-5](#) [PL71-9](#) [PL74C-221](#) [PL75MC-217](#) [PL803-7](#) [980-8666-005](#)