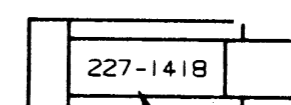
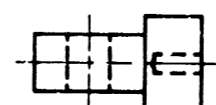
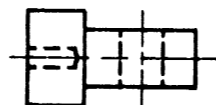
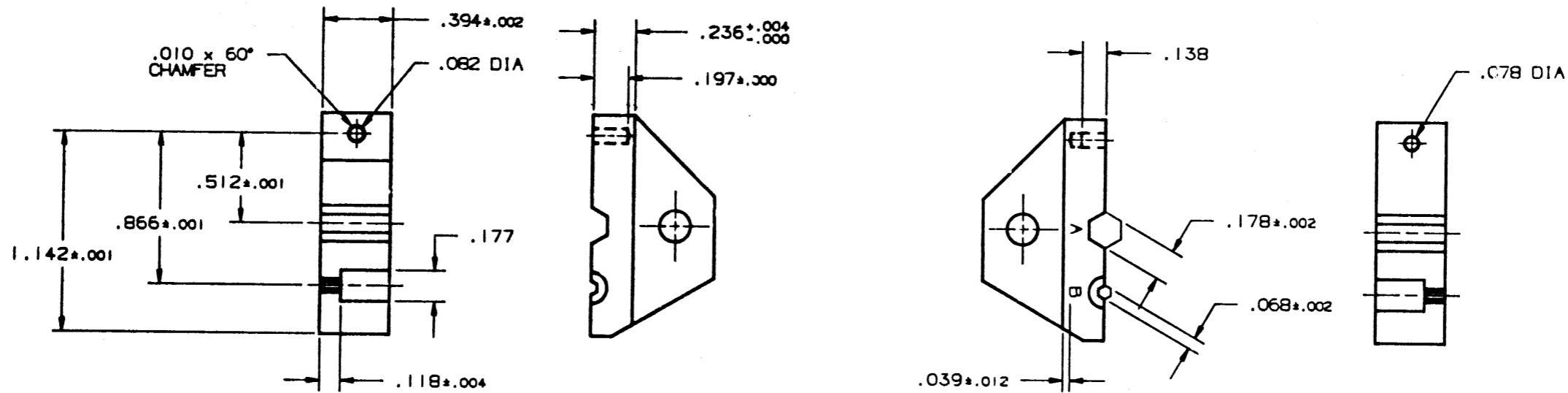


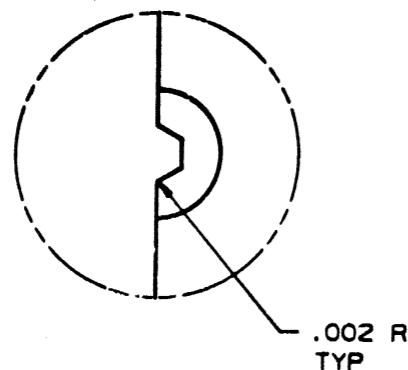
DO NOT SCALE THIS DRAWING

REVISIONS				
SYM	DESCRIPTION	DATE	E.C.O. NO.	APPR.
A	OFFICIAL ENG. RELEASE TO MFG.	12/14/88	36043	DR



227-1418
DRAWING NUMBER ISSUE
A

STAMP AS SHOWN.



NOTES:

1. MATERIAL: CRIMPING DIES - TOOL STEEL.
HEAT TREAT TO ROCKWELL C52-60
2. FINISH: FINISH ON CRIMPING SURFACES
32 MICROINCHES MAX. BLACK OXIDE
COATING PER MIL-C-13924.
3. USE WITH 227-987 HANDLE.
4. REF: MIL CRIMP TOOL DIE SET EQUIVALENT
IS 227-1221-09.
5. USE TO CRIMP ON CABLES RG122, RG180,
RG195, RG174, RG179, RG187, RG188, RG316
AND ESSEX 21-597.

DIES ALIKE IF NOT OTHERWISE STATED. MARKING
ALIGNED WITH CAVITIES STAMPED LETTERS A & B.
TEXT HEIGHT 1/16.

PART NO.	QUAN	UOM	DESCRIPTION	CODE	FINISH
LIST OF MATERIAL					

REMOVE ALL BURRS, BREAK CORNERS
AND SHARP EDGES TO MAXIMUM
UNLESS OTHERWISE SPECIFIED.

NOTICE - These drawings, specifications, or other data (1) are, and remain, the property of Amphenol Corp. (2) must be returned upon request, and (3) are confidential and are not to be disclosed to any person other than those to whom they are given by Amphenol Corp. The furnishing of these drawings, specifications, or other data by Amphenol Corp. or by any other person to anyone for any purpose is not to be regarded by implication or otherwise as in any manner licensing, granting rights or permitting such holder or any other person to manufacture, use or sell any product, process or design patented or otherwise, that may in any way be related to or disclosed by said drawings, specifications or other data.

NEXT ASSY	USED ON	UNLESS OTHERWISE SPECIFIED DIMENSIONS ARE IN INCHES. TOLERANCES NOT OTHERWISE SPECIFIED ARE: 1 PLACE DECIMAL .015 (0.381 mm) 3 PLACE DECIMAL .005 (0.127 mm) ANGLES 1°
NOTE 1		REFERENCE DRAWING NO. EAR 70264-2 PRESSMASTER 4100-1947
NOTE 2		
FINISH		

DRAWN BY TERRI ALBERA 11-2-88	DATE	TITLE
CHECKED D. ROYCE 12-9-88	DATE	DIE SET
ENGINEER D. ROYCE 12-9-88	DATE	
QUALITY ASSURANCE [Signature]	DATE	
DATE	DATE	

Amphenol Corporation	RF/Microwave Operations Danbury, Conn. U.S.A.
SCALE 2:1	SHEET OF
CODE IDENTIFICATION 74868	DRAWING SIZE C
DRAWING NO. 227-1418	ISSUE A

X-ON Electronics

Largest Supplier of Electrical and Electronic Components

Click to view similar products for [Punches & Dies](#) category:

Click to view products by [Amphenol](#) manufacturer:

Other Similar products are found below :

[58510-1](#) [63454-1601](#) [63457-0056](#) [63457-3401](#) [730-5/8](#) [730BB-1-3/8](#) [734410](#) [PV-670508-001](#) [1328](#) [1338](#) [13782656](#) [13782673](#) [AR-19](#) [AR-24](#) [1583609-1](#) [1720](#) [1762951-1](#) [2063500-2](#) [19031-0168](#) [AR-20](#) [AR-23](#) [CD5-8](#) [313336-3](#) [11-19-3122](#) [539663-1](#) [63446-2241](#) [TL-11](#) [TL-18](#) [0634451912](#) [1762674-1](#) [63454-0123](#) [68240-1](#) [68247-1](#) [734252](#) [313183-1](#) [PA2029](#) [119174-001](#) [23846-1](#) [11-40-5342](#) [68010-2](#) [690370015](#) [730BB-1-1/8](#) [730BB-1-1/16](#) [19032-0048](#) [63465-0023](#) [11-40-4438](#) [63457-0041](#) [19032-0202](#) [11-11-0054](#) [11-11-0052](#)