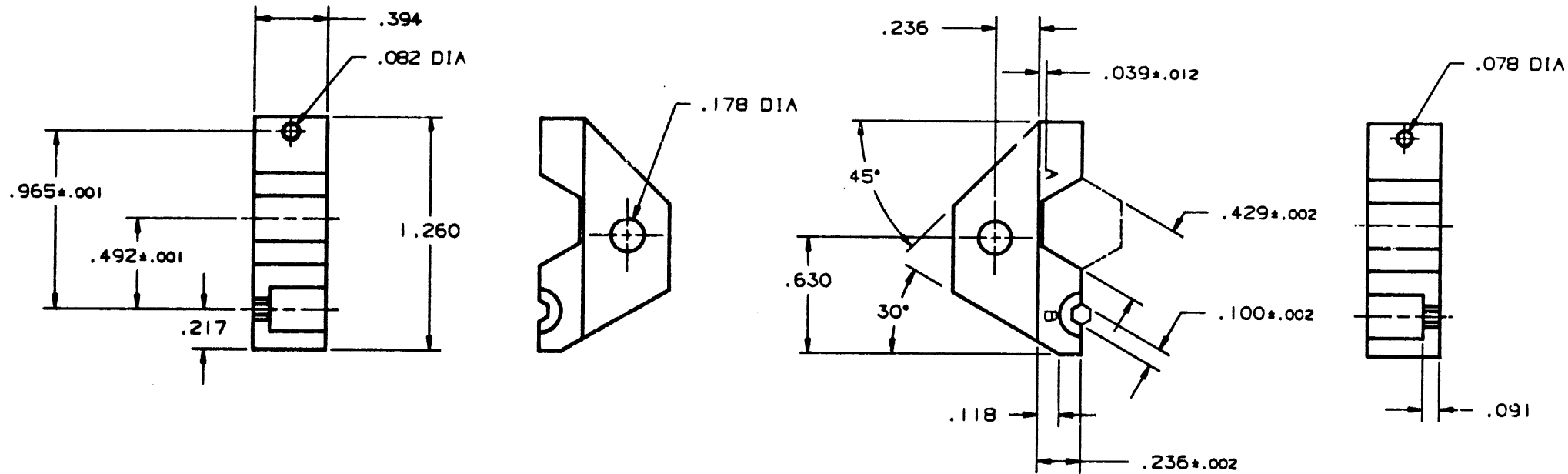
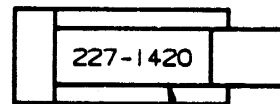


DO NOT SCALE THIS DRAWING

REVISIONS				
SYM	DESCRIPTION	DATE	E.C.O. NO.	APPR.
A	OFFICIAL ENG. RELEASE TO MFG.	12/14/88	36043	DR



227-1420
DRAWING NUMBER ISSUE
A



STAMP AS SHOWN.

NOTES:

1. MATERIAL: CRIMPING DIES - TOOL STEEL. HEAT TREAT TO ROCKWELL C52-60
2. FINISH: FINISH ON CRIMPING SURFACES 32 MICROINCHES MAX. BLACK OXIDE COATING PER MIL-C-13924.
3. USE WITH 227-987 HANDLE.
4. REF: MIL CRIMP TOOL DIE SET EQUIVALENT IS 227-1221-25.
5. USE TO CRIMP ON CABLES RG8, RG9, RG213, RG214, RG11, RG149.

DIES ALIKE IF NOT OTHERWISE STATED. MARKING ALIGNED WITH CAVITIES STAMPED LETTERS A & B. TEXT HEIGHT 1/16.

PART NO.	QUAN	UOM	DATE	DESCRIPTION	CODE	FINISH
LIST OF MATERIAL						

REMOVE ALL BURRS, BREAK CORNERS AND SHARP EDGES. SEE MAXIMUM UNLESS OTHERWISE SPECIFIED.

NOTICE - These drawings, specifications, or other data (1) are, and remain the property of Amphenol Corp. (2) must be returned upon request; and (3) are confidential and are not to be disclosed to any person other than those to whom they are given by Amphenol Corp. The furnishing of these drawings, specifications, or other data by Amphenol Corp. or by any other person to anyone for any purpose is not to be regarded by implication or otherwise as in any manner licensing, granting rights or permitting such holder or any other person to manufacture, use or sell any product, process or design, patented or otherwise, that may in any way be related to or disclosed by said drawings, specifications or other data.

NEXT ASSY	USED ON	UNLESS OTHERWISE SPECIFIED DIMENSIONS ARE IN INCHES. TOLERANCES NOT OTHERWISE SPECIFIED ARE:	ANGLES
NOTE 1		2 PLACE DECIMAL 1.015 (0.257 mm)	3 PLACE DECIMAL 1.008 (0.127 mm)
NOTE 2		REFERENCE DRAWING NO. EAR 70264-2 PRESSMASTER 4100-2139	2°

DRAWN BY	DATE	TITLE
TERRI ALBERA	11-2-88	DIE SET
Checked	12/9/88	
Engineer	12/9/88	
Quantity Assurance	12-14-88	
Released	12/14/88	

CODE IDENTIFICATION	DRAWING SIZE	DRAWING NO.	SCALE	SHEET	OF	ISSUE
74868	C	227-1420	2:1			A

Amphenol Corporation
RF/Microwave Operations
Danbury, Conn. U.S.A.

X-ON Electronics

Largest Supplier of Electrical and Electronic Components

Click to view similar products for [Punches & Dies](#) category:

Click to view products by [Amphenol](#) manufacturer:

Other Similar products are found below :

[58510-1](#) [63454-1601](#) [63457-0056](#) [63457-3401](#) [730-5/8](#) [730BB-1-3/8](#) [734410](#) [PV-670508-001](#) [1328](#) [1338](#) [13782656](#) [13782673](#) [AR-19](#) [AR-24](#) [1583609-1](#) [1720](#) [1762951-1](#) [2063500-2](#) [19031-0168](#) [AR-20](#) [AR-23](#) [CD5-8](#) [313336-3](#) [11-19-3122](#) [539663-1](#) [63446-2241](#) [TL-11](#) [TL-18](#) [0634451912](#) [1762674-1](#) [63454-0123](#) [68240-1](#) [68247-1](#) [734252](#) [313183-1](#) [PA2029](#) [119174-001](#) [23846-1](#) [11-40-5342](#) [68010-2](#) [690370015](#) [730BB-1-1/8](#) [730BB-1-1/16](#) [19032-0048](#) [63465-0023](#) [11-40-4438](#) [63457-0041](#) [19032-0202](#) [11-11-0054](#) [11-11-0052](#)