

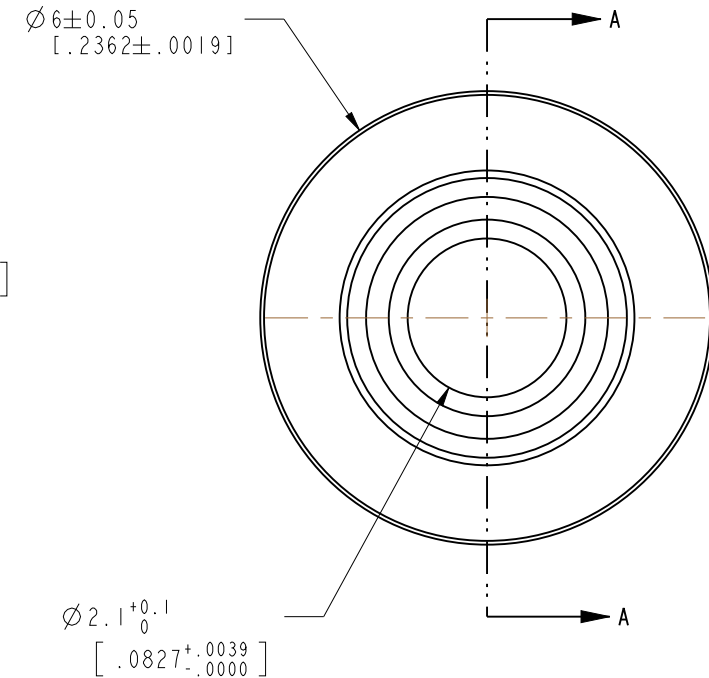
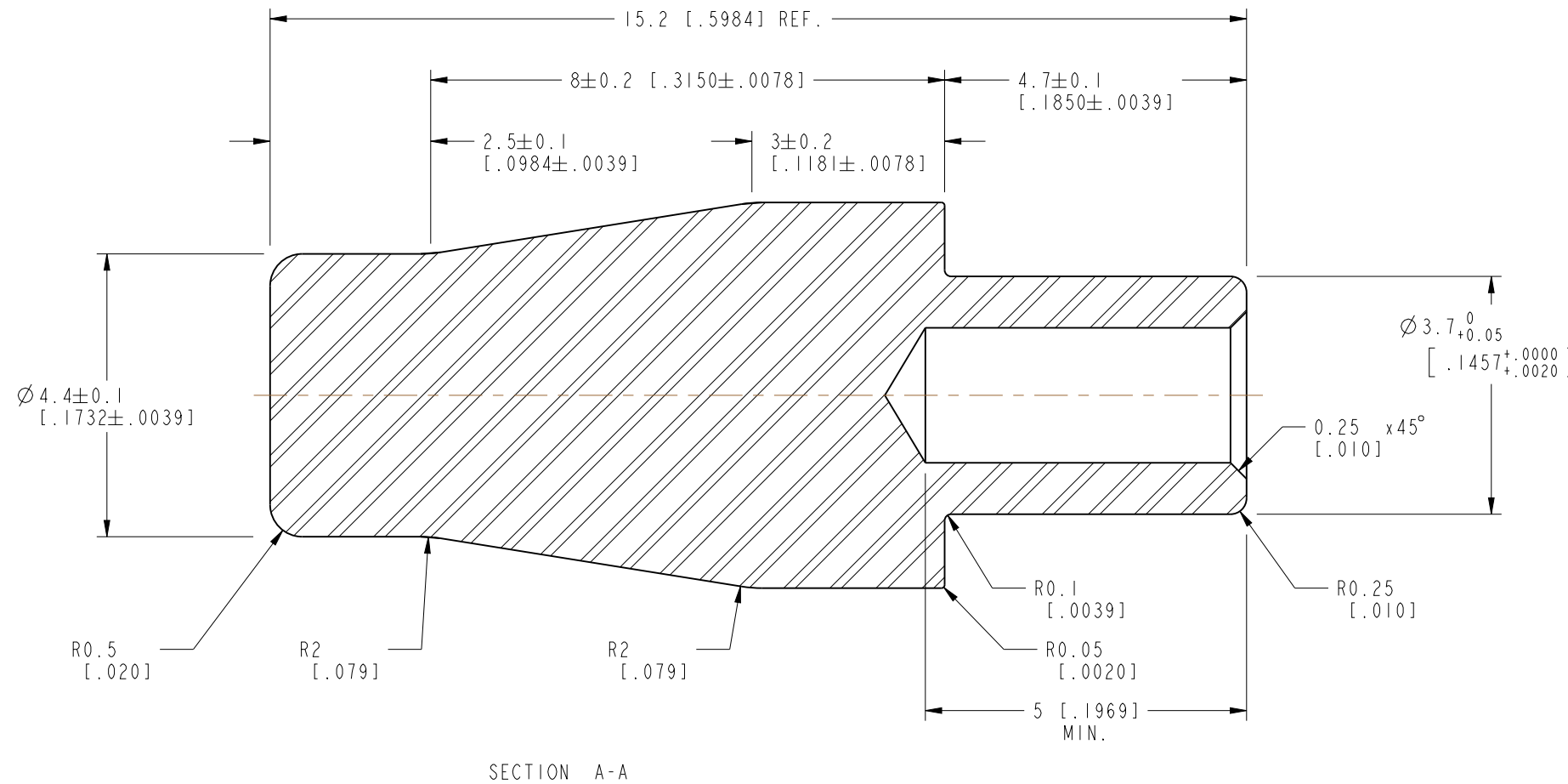
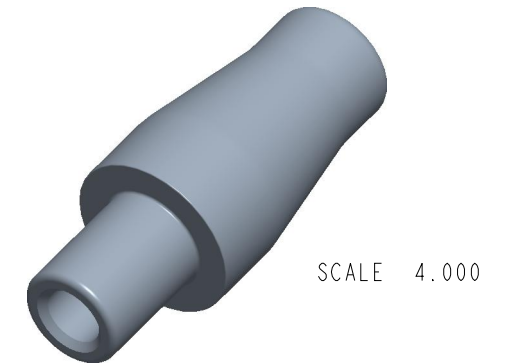
NOTES:

1. DO NOT SCALE THIS DRAWING.
2. UNLESS OTHERWISE SPECIFIED:
 - A. HOLES, SLOTS AND DIAMETERS TO BE PARALLEL AND CONCENTRIC WITHIN .08 MM [.003 IN] T.I.R.
 - B. REMOVE ALL BURRS, BREAK ALL SHARP EDGES .13 MM [.005 IN] MAX.
 - C. SURFACE FINISH TO BE 1.6 MICROMETERS [63 MICROINCHES] MAX.
 - D. ALL DIMENSIONS ARE BEFORE PLATING.
3. PART NUMBER CONTAINING LETTER SUFFIX REQUIRES PLATING PER AMPHENOL SPEC 349-50560.
4. PASSIVATED "PA" PER 349-50714.
5. INDIVIDUALLY PACKAGE IN VILES.

THIRD ANGLE PROJ.

REVISIONS

REV	DESCRIPTION	DATE	ECO	APPR
A	RELEASE TO MFG.	10/30/15	50463	BCG
B	CHANGE MATERIAL FROM HARDENED TO 303 SS	08-MAR-21	14748	RD



UNLESS OTHERWISE SPECIFIED, DIMENSIONS ARE IN METRIC AND TOLERANCES ARE:
 0.5 - 6mm ±0.1mm 6 - 30mm ±0.2mm 30 - 120mm ±0.3mm ANGLES ±1°

NOTICE - These drawings, specifications, or other data (1) are, and remain the property of Amphenol corp. (2) must be returned upon request; and (3) are confidential and not to be disclosed to any person other than those to whom they are given by Amphenol Corp. the furnishing of these drawings, specifications, or other data by Amphenol Corp., or to any other person to anyone for any purpose is not to be regarded by implication or otherwise in any manner licensing, granting rights to permitting such holder or any other sperson to manufacture, use or sell any product, process or design, patented or otherwise, that may in any way be related to or disclosed by said drawings, specifications, or other data.

MATERIAL
303 STAINLESS STEEL
PASSIVATED

REFERENCE
4637,9670 AND ---

CONFIGURATION LEVEL: ---

FINISH

DRAWN
B.C. GLEISSNER

ENGINEER
B.C. GLEISSNER

APPROVED
K. CAPOZZI

CAD FILE
---/227-1538

DATE
28-Jun-11

DATE
28-Jun-11

DATE
10/30/15

TITLE
CONE TOOL FOR
O-RING INSTALLATION
(3FAIENXRJ-C01E3)

SCALE: 3.0:1.0

DWG SIZE
B

CODE ID
74868

REV
B

Amphenol RF
Danbury CT USA, Tainan, Taiwan, Shenzhen, China
www.amphenolrf.com

DRAWING NO. 227-1538

ITEM NO. 227-1538

PART NO. 227-1538

X-ON Electronics

Largest Supplier of Electrical and Electronic Components

Click to view similar products for [Other Tools](#) category:

Click to view products by [Amphenol](#) manufacturer:

Other Similar products are found below :

[899-2-KT46](#) [568681-1](#) [CR-12FP4--260R](#) [5800-0090](#) [58061-1](#) [59085](#) [00-8273-RDPP](#) [593033](#) [593072](#) [593564100](#) [593575](#) [593593](#) [011349-000](#) [CRCW08052740FRT1](#) [LUC-012S070DSM](#) [LUC-018S070DSP](#) [LUC-024S105DSP](#) [599-2021-3-NME](#) [599-JJ-2021-03](#) [CRCW2010331JR02](#) [601-JJ-06](#) [601-SPB](#) [601YSY](#) [602-JJ-03](#) [602SPB](#) [603-JJ-07-FP](#) [603-JJY-04](#) [CRTN1013](#) [CS16](#) [6-1579014-0](#) [6203](#) [6240-1](#) [M43435 TY 2 SZ 3 FIN B BLK](#) [M43435 TY 5 SZ 3 FIN C NAT](#) [M-5Z](#) [M6816](#) [660-29ABT1](#) [662508-1](#) [CVHD-950X-93.333](#) [CW104-01X](#) [671-GP-04-KT39-73207](#) [CW307-01A](#) [CW30901A](#) [CW6211201A](#) [679793-1](#) [690124-7](#) [690191-1](#) [690191-3](#) [690317-2](#) [691409-](#)