

NOTICE: These drawings, specifications, or other data (1) are, if not otherwise indicated, the property of Amphenol Corporation and shall be returned upon request, and (2) are confidential and are not to be disclosed to any third party without the prior written consent of Amphenol Corporation. The numbering of these drawings, specifications, or other data by Amphenol Corporation, or by any other person, in excess of one (1) shall be the property of Amphenol Corporation and shall not be used for any other purpose without the prior written consent of Amphenol Corporation. Any use of these drawings, specifications, or other data for any other purpose without the prior written consent of Amphenol Corporation shall be at the user's risk and shall not constitute an acknowledgment of liability on the part of Amphenol Corporation for any damage, loss, or injury, or for any other liability, that may in any way be related to or caused by the drawings, specifications, or other data.

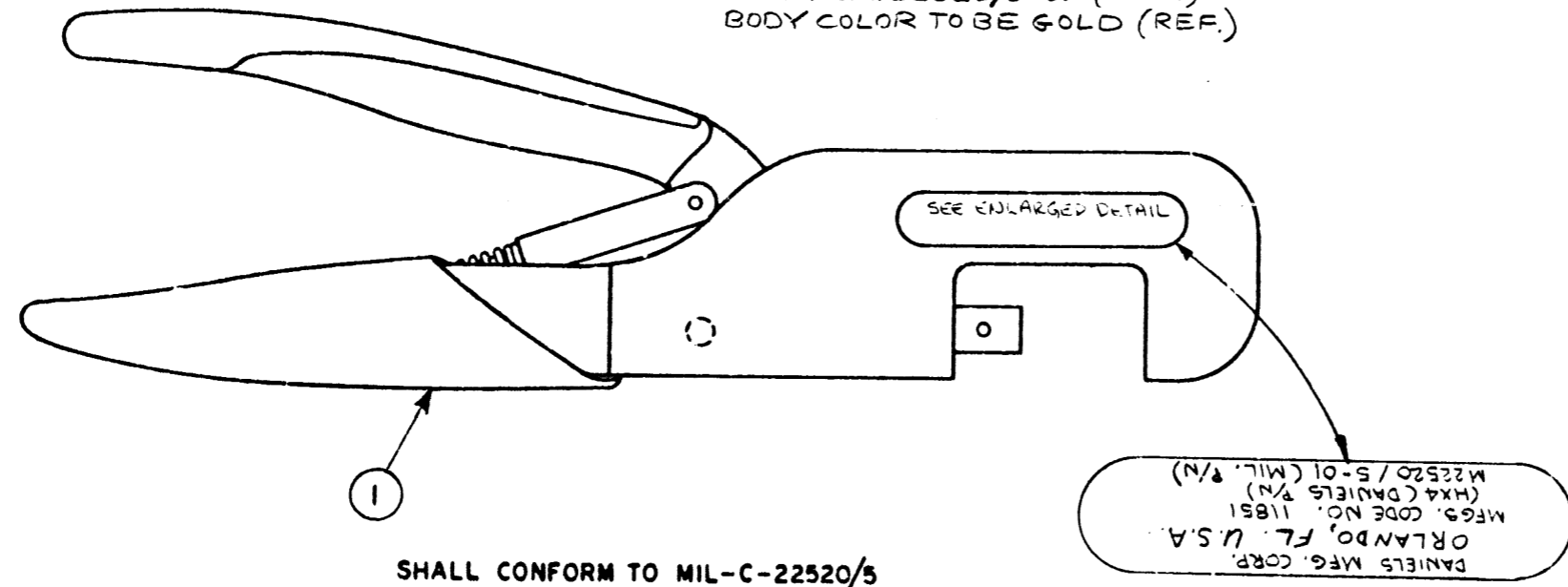
DO NOT SCALE THIS DRAWING

REMOVE ALL BURRS, BREAK CORNERS AND SHARP EDGES .005 MAXIMUM UNLESS OTHERWISE SPECIFIED.

REVISIONS				
ZONE	SYM.	DESCRIPTION	DATE	ECO NO. / APPR.
	A	ADDED COLOR SPEC.	1-3-74	20138 OR
	B	REVISED ENLARGED LABEL	1-27-77	21971 <i>ttt</i>
	C	DEL ITEM 2; UPDATE ADDRESS	1/23/99	42004 <i>cpm</i>

NOTES:
 1. MAY BE PURCHASED FROM:
 DANIELS TOOL CO.
 ORLANDO, FL. U.S.A.
 AS DANIELS TOOL FRAME HX4

PART NO. M22520/5-01 (REF.)
 BODY COLOR TO BE GOLD (REF.)



SHALL CONFORM TO MIL-C-22520/5

2. FRAME TO BE PACKAGED IN A CARDBOARD BOX WITH DIE INSTALLATION INSTRUCTIONS, BOTH SUPPLIED BY DANIELS MFG. CORP. AMPHENOL PART NO. MUST APPEAR ON TOP SIDE OF BOX.
 SIZE: 11 1/2" LGH. X 3" WIDE X 1 1/8" HT.

227-944
 DRAWING NUMBER
 C

OFFICIAL ENG. REL.
 20037

UNLESS OTHERWISE SPECIFIED DIMENSIONS ARE IN INCHES TOLERANCES NOT OTHERWISE SPECIFIED ARE:		
FRACTIONS	DECIMALS	ANGLES
± 1/16"	± .005	± 1°
MATERIAL		
SPECIFICATION		
FINISH		
NEXT ASSY:	USED ON:	APPLICATION:

REQ'D ITEM	PART NO.	DESCRIPTION	CODE	FINISH
1	227-943	CRIMP TOOL FRAME	203	

LIST OF MATERIAL			
QTY	DESCRIPTION	UNIT	FINISH
1	CRIMP TOOL FRAME (PACKAGED)		

DRAWN BY: <i>C. J. ...</i> DATE: <i>8-18-74</i> CHECKED BY: <i>H. ...</i> DATE: <i>8-20-74</i> ENGINEER: <i>H. ...</i> DATE: <i>8-20-74</i> APPR: <i>...</i> DATE: <i>...</i> REFERENCE DRAWING NO.:	CRIMP TOOL FRAME (PACKAGED) AMPHENOL AMPHENOL RF DIVISION 33 East Franklin St. Danbury, Conn. 06810
CODE IDENTIFICATION: C DRAWING SIZE: C DRAWING NO.: 227-944 ISSUE: C	

X-ON Electronics

Largest Supplier of Electrical and Electronic Components

Click to view similar products for [Crimpers / Crimping Tools](#) category:

Click to view products by [Amphenol](#) manufacturer:

Other Similar products are found below :

[010-0096](#) [M225202-37](#) [6-1579015-5](#) [CT150-2-D02](#) [M322](#) [6-304052-1](#) [63456-0054](#) [63484-3701](#) [63800-8355](#) [63819-1875](#) [63819-2875](#)
[63819-4475](#) [63823-3475](#) [63827-5375](#) [64001-0975](#) [64001-4175](#) [64005-0175](#) [662903-2](#) [690602-6](#) [7-1579001-9](#) [7-23471-1](#) [762637-1](#) [808714-](#)
[1](#) [811242-5](#) [999-50-020083](#) [1-21002-3](#) [1-21002-7](#) [12085270](#) [1-21002-6](#) [1-21113-6](#) [1-22548-4](#) [125442-1](#) [DCE.91.073.BVC](#)
[DCE.91.090.3MVM](#) [DCE.91.130.5MVU](#) [DCE.91.202.BVCM](#) [1338300-1](#) [1-354003-0](#) [1338301-1](#) [DF62/RE-MD](#) [142321](#) [1456088-1](#)
[1490794-1](#) [1-45804-6](#) [1490357-2](#) [1490357-3](#) [AX100749](#) [1-59619-7](#) [1596970-1](#) [1-59619-8](#)