

NOTES:

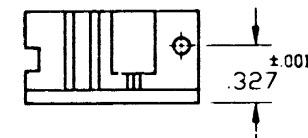
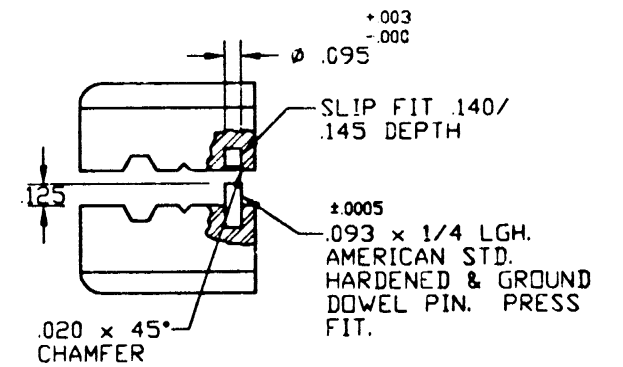
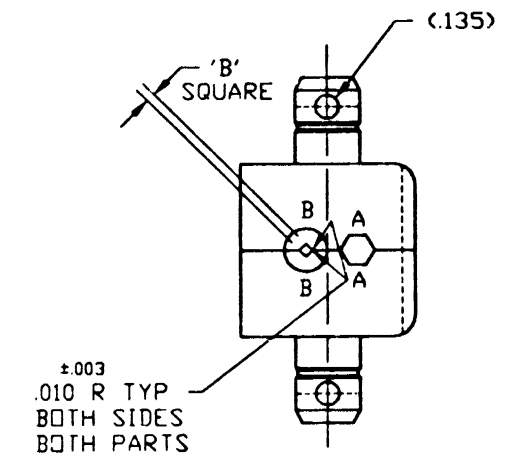
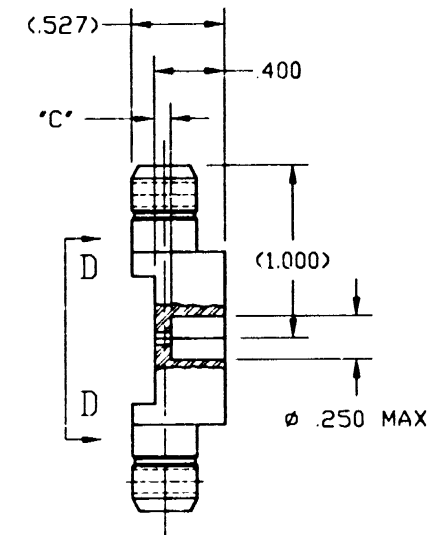
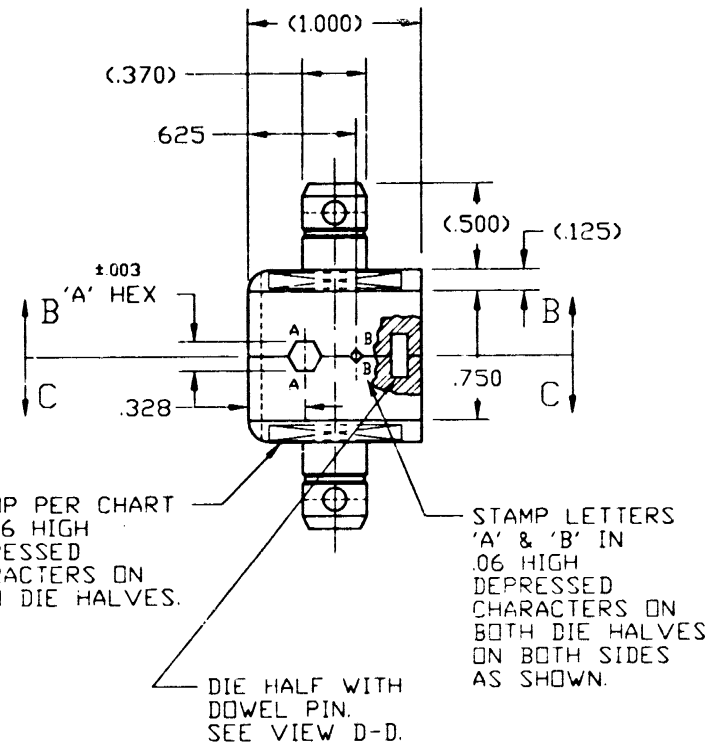
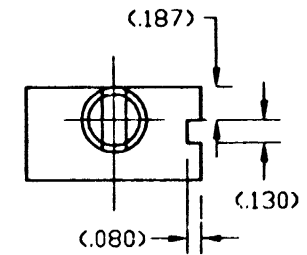
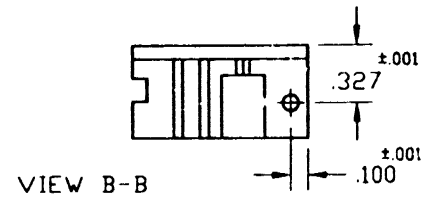
1. MANUFACTURED BY DANIELS MFG. CORP. BLOOMFIELD, MICHIGAN.
2. INDIVIDUAL DIE SETS TO BE PACKAGED IN PLASTIC CONTAINERS SUPPLIED BY MANUFACTURER. AMPHENOL PART NO. MUST APPEAR AT TOP OF CONTAINER. (CONT. SIZE APPROX. 1-3/8" CUBE)
3. USED IN CONJUNCTION WITH AMPHENOL TOOL FRAME PART NO. 227-944. (DANIELS MFG. CORP. TOOL FRAME HX4).
4. MATERIAL: TOOL STEEL PER QQ-S-628, CLASS B. HARDENED TO ROCKWELL C52-60.
5. FINISH: FINISH ON ALL CRIMPING SURFACES 32 MICRO-INCHES MAX. BLACK OXIDE PER MIL-C-13924.
6. DIE SETS SHALL BE SUPPLIED WITH APPROPRIATE ROLL PINS.
7. DIM'S SHOWN ARE AT FULLY BUTTED CONDITION.
8. BASIC DIE DIM'S MUST BE PER MIL-C-22520/5C.
9. DO NOT SCALE THIS DRAWING.
10. REMOVE ALL BURRS, BREAK SHARP EDGES AND CORNERS .005 MAXIMUM, UNLESS OTHERWISE SPECIFIED.

227-980

DRAWING NO. THIRD ANGLE PROJ.

REVISIONS

REV	DESCRIPTION	DATE	ECO	APPR
A	OFFICIAL ENG. RELEASE TO MFG.	7/11/85	31555	GMC
U	REDRAWN WAS 'C' SIZE; ADD NOTES 9 & 10; ADD DASH -10 & DIM 'C'; ON VIEW 'C' WAS .095 ±.003	8/11/95	40890	CPM/DR



VIEW C-C  
SIMILAR TO 227-1221 SERIES

P/N	A DIM	B DIM	C DIM	STAMPING	DANIELS P/N REF
-1	255 ±.003	.049 <sup>+0.000</sup> / <sub>-0.003</sub>	.095 ±.003	227-980-1	Y685
-2	.178 ±.003	.049 <sup>+0.000</sup> / <sub>-0.003</sub>	.095 ±.003	227-980-2	Y686
-3	.324 ±.003	.052 <sup>+0.000</sup> / <sub>-0.002</sub>	.095 ±.003	227-980-3	Y773P
-4	.324 ±.003	.054 ±.001	.095 ±.003	227-980-4	
-5	.213 ±.003	.049 <sup>+0.000</sup> / <sub>-0.003</sub>	.095 ±.003	227-980-5	
-6	.324 ±.003	.049 <sup>+0.000</sup> / <sub>-0.003</sub>	.095 ±.003	227-980-6	
-7	.178 ±.003	.052 <sup>+0.000</sup> / <sub>-0.002</sub>	.095 ±.003	227-980-7	
-8	.197 ±.003	.049 <sup>+0.000</sup> / <sub>-0.003</sub>	.095 ±.003	227-980-8	
-9	.314 ±.003	.049 <sup>+0.000</sup> / <sub>-0.003</sub>	.095 ±.003	227-980-9	
-10	.178 ±.003	.026 <sup>+0.002</sup> / <sub>-0.001</sub>	.062 ±.003	227-980-10	

UNLESS OTHERWISE SPECIFIED, DIMENSIONS ARE IN INCHES AND TOLERANCES ARE:  
 2 PLACE DECIMAL ±.015 (0.381 mm)  
 3 PLACE DECIMAL ±.005 (0.127 mm)  
 ANGLES ± 1'

NOTICE - These drawings, specifications, or other data (1) are, and remain the property of Amphenol Corp. (2) must be returned upon request; and (3) are confidential and not to be disclosed to any person other than those to whom they are given by Amphenol Corp. The furnishing of these drawings, specifications, or other data by Amphenol Corp., or to any other person, or anyone for any purpose is not to be regarded by implication or otherwise in any manner licensing, granting rights or permitting such holder or any other person to manufacture, use or sell any product, process or design, patented or otherwise, that may in any way be related to or disclosed by said drawings, specifications, or other data.

MATERIAL FOR MATERIAL & SPECIFICATIONS SEE NOTE 4. FOR FINISH SEE NOTES 4 & 5.

REFERENCE EAR 972850

DRAWN T. ALBERA DATE 3/6/91  
 ENGINEER D. ROYCE DATE 6/11/85  
 APPROVED D. ROYCE DATE 6/11/85  
 CAD FILE F:\DEPT611\TOOLS\227\980

TITLE DIE SET  
 CODE ID 74868  
 DASH SIZE B  
 DRAWING NO. 227-980

Amphenol  
 Amphenol Corporation  
 RF/Microwave Operations  
 Danbury, Conn. U.S.A. 06810  
 SCALE: 1:1 SHEET OF REV U

## X-ON Electronics

Largest Supplier of Electrical and Electronic Components

*Click to view similar products for [Punches & Dies](#) category:*

*Click to view products by [Amphenol](#) manufacturer:*

Other Similar products are found below :

[58510-1](#) [63454-1601](#) [63457-0056](#) [63457-3401](#) [730-5/8](#) [730BB-1-3/8](#) [734410](#) [PV-670508-001](#) [1328](#) [1338](#) [13782656](#) [13782673](#) [AR-19](#) [AR-24](#) [1583609-1](#) [1720](#) [1762951-1](#) [2063500-2](#) [19031-0168](#) [AR-20](#) [AR-23](#) [CD5-8](#) [313336-3](#) [11-19-3122](#) [539663-1](#) [63446-2241](#) [TL-11](#) [TL-18](#) [0634451912](#) [1762674-1](#) [63454-0123](#) [68240-1](#) [68247-1](#) [734252](#) [313183-1](#) [PA2029](#) [119174-001](#) [23846-1](#) [11-40-5342](#) [68010-2](#) [690370015](#) [730BB-1-1/8](#) [730BB-1-1/16](#) [19032-0048](#) [63465-0023](#) [11-40-4438](#) [63457-0041](#) [19032-0202](#) [11-11-0054](#) [11-11-0052](#)