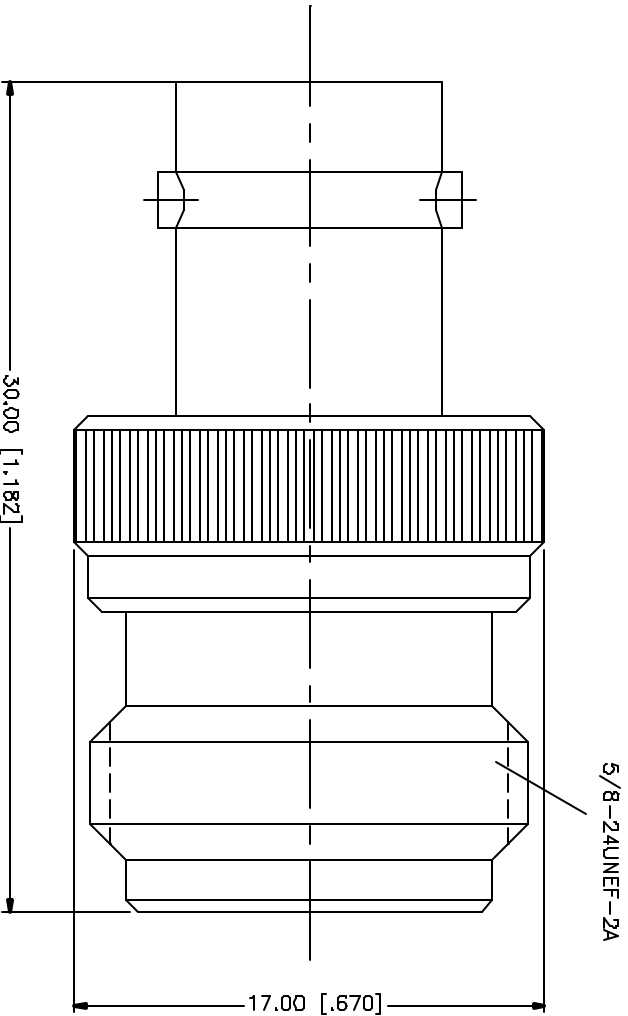


REV.	DATE	DESCRIPTION
A	03/27/05	UPDATE DRAWING FORMAT



REV	DESCRIPTION	MATERIAL	FINISH	QTY	UNLESS OTHERWISE SPECIFIED, DIMENSIONS ARE IN INCHES AND FRACTIONS THEREOF. DIMENSIONS FOR CUSTOMER REFERENCE ONLY.	APPROVALS	DATE	PART DESCRIPTION								
8								<h1 style="text-align: center; margin: 0;">Amphenol Connex</h1> <p style="text-align: center; margin: 5px 0;">BNC FEMALE TO N FEMALE ADAPTER</p> <p style="text-align: center; margin: 5px 0;">242100</p>								
7					UNLESS OTHERWISE SPECIFIED, DIMENSIONS ARE IN INCHES AND FRACTIONS THEREOF. DIMENSIONS FOR CUSTOMER REFERENCE ONLY.	DRAWN	G.R.S.		03/27/05							
6					UNLESS OTHERWISE SPECIFIED, DIMENSIONS ARE IN INCHES AND FRACTIONS THEREOF. DIMENSIONS FOR CUSTOMER REFERENCE ONLY.	CHECKED										
5					UNLESS OTHERWISE SPECIFIED, DIMENSIONS ARE IN INCHES AND FRACTIONS THEREOF. DIMENSIONS FOR CUSTOMER REFERENCE ONLY.	ISSUED										
4					UNLESS OTHERWISE SPECIFIED, DIMENSIONS ARE IN INCHES AND FRACTIONS THEREOF. DIMENSIONS FOR CUSTOMER REFERENCE ONLY.	SHEET	1 OF 1									
3	CONTACT PIN	P-HOS. BRONZE	COLD	1	.020 - .315 = ± 0.007" .315 - 1.180 = ± 0.015" 1.180 - 4.724 = ± 0.020"	CAD FILE	C:/242/242100.DWG		DWG. NO.	242100.DWG	REV.	A	SIZE	A	SCALE	NA
2	INSULATOR	TEFLON	NATURAL	1												
1	BODY	BRASS	NICKEL	1												

X-ON Electronics

Largest Supplier of Electrical and Electronic Components

Click to view similar products for [RF Adapters - Between Series category:](#)

Click to view products by [Amphenol manufacturer:](#)

Other Similar products are found below :

[5945-9503-000](#) [MCX/F-SMA/M](#) [R192417010](#) [ADBJ20-E1-BJ379](#) [ADM2](#) [ADPL75-A1-PL75](#) [242191](#) [9317505](#) [AD130](#) [ADBJ20-E1-PL74](#)
[ADBJ20-E2-BJ79](#) [ADBJ77-E1-UPL20](#) [ADRMF370](#) [242190](#) [242215](#) [242228](#) [R125680000W](#) [R192430000](#) [UAD95](#) [1057367-1](#) [8311505](#)
[R114704000](#) [R451034500](#) [R451030500](#) [R451543000](#) [HDVDPN](#) [ADBJ20-K1-PL20](#) [R451570000](#) [R192419000](#) [R451034000](#) [J9](#) [J3WE-5](#)
[R451032500](#) [242201RP](#) [17K132-K00S5](#) [03K719-S22S3](#) [AD-RSMAF-RTNC](#) [53K156-K00N5](#) [53K160-KIMN1](#) [29S132-K01N5](#) [53S156-](#)
[K00N5](#) [02S119-S00E3](#) [28K132-K00N5](#) [02S109-K00S3](#) [27-8200TP](#) [242235](#) [ADBJ20-E1-BJ89](#) [ADP-SMAF-MMCXM](#) [000-2900](#) [321-102-](#)
[003 \(SMA-50/2-H155/W1.03 AU\)](#)