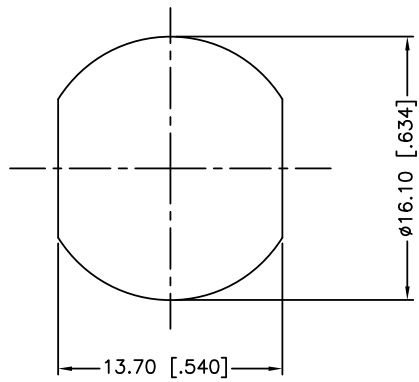
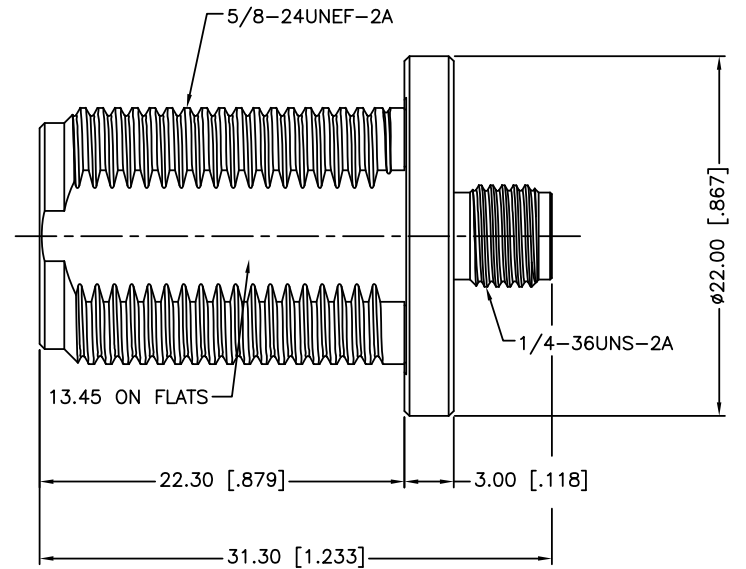
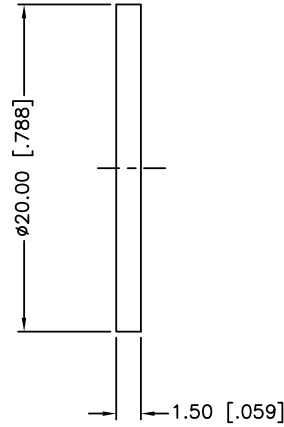
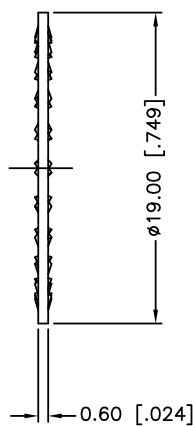
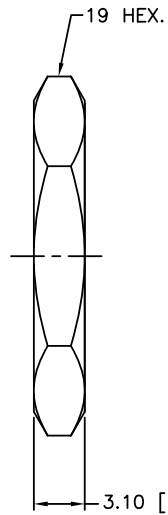


REV.	DATE	ECR NO.	DESCRIPTION
NC	06/11/09	XXXXXX	INITIAL RELEASE



RECOMMENDED MOUNTING HOLE



1. SEALING REQUIREMENT: IP-68 MUST WITHSTAND 3' DEPTH OF WATER FOR ONE HOUR WITHOUT ANY SIGNS OF LEAKAGE
2. MAX. PANEL THICKNESS= 6.8mm

QTY	DESCRIPTION	MATERIAL	FINISH	QTY
1	HEX NUT	BRASS	NICKEL	1
1	LOCK WASHER	BRASS	NICKEL	1
1	GASKET	SILICONE	RED	1
1	HOUSING	BRASS	NICKEL	1
1	CONTACT PIN	BER. COPPER	GOLD	1
1	O-RING	SILICONE	RED	1
1	INSULATOR	PTFE	NATURAL	1
1	BODY	BRASS	NICKEL	1
	DESCRIPTION	MATERIAL	FINISH	QTY

UNLESS OTHERWISE SPECIFIED DIMENSIONS ARE IN MILLIMETERS, DIMENSIONS IN [ ] ARE IN INCHES AND FOR CUSTOMER REFERENCE ONLY.	
UNLESS OTHERWISE SPECIFIED TOLERANCES FOR MILLIMETERS ARE: 0.5 - 8mm $\pm$ 0.20mm 8 - 30mm $\pm$ 0.40mm 30 - 120mm $\pm$ 0.50mm	
UNLESS OTHERWISE SPECIFIED TOLERANCES FOR INCHES ARE: .020 - .315 = $\pm$ 0.007" .315 - 1.180 = $\pm$ 0.015" 1.180 - 4.724 = $\pm$ 0.020"	
DO NOT SCALE DRAWING	

APPROVALS	DATE
DRAWN M.ZHANG	06/11/09
CHECKED	
ISSUED	
SHEET 1 OF 1	
CAD FILE	C:/CONNEX/242125-10.DWG

<b>Amphenol Connex</b>			
PART DESCRIPTION N FEMALE TO SMA FEMALE BULKHEAD ADAPTOR (IP 68)			
PART NO. 242125-10			
DWG. NO.	242125-10.DWG	REV.	NC
SIZE	A	SCALE	NA

## X-ON Electronics

Largest Supplier of Electrical and Electronic Components

*Click to view similar products for [RF Adapters - Between Series](#) category:*

*Click to view products by [Amphenol](#) manufacturer:*

Other Similar products are found below :

[5945-9503-000](#) [MCX/F-SMA/M](#) [R192417010](#) [ADBJ20-E1-BJ379](#) [ADM2](#) [ADPL75-A1-PL75](#) [242191](#) [9317505](#) [AD130](#) [ADBJ20-E1-PL74](#)  
[ADBJ77-E1-UPL20](#) [ADRMF370](#) [242190](#) [242215](#) [242228](#) [R125680000W](#) [R192430000](#) [UAD95](#) [1057367-1](#) [8311505](#) [R114704000](#)  
[R451034500](#) [R451030500](#) [R451543000](#) [HDVDPN](#) [ADBJ20-K1-PL20](#) [R451570000](#) [R192419000](#) [R451034000](#) [J9](#) [J3WE-5](#) [R451032500](#)  
[242201RP](#) [17K132-K00S5](#) [03K719-S22S3](#) [AD-RSMAF-RTNC](#) [53K156-K00N5](#) [53K160-KIMN1](#) [29S132-K01N5](#) [53S156-K00N5](#) [02S119-](#)  
[S00E3](#) [28K132-K00N5](#) [02S109-K00S3](#) [27-8200TP](#) [242235](#) [ADBJ20-E1-BJ89](#) [ADP-SMAF-MMCXM](#) [000-2900](#) [321-102-003 \(SMA-50/2-](#)  
[H155/W1.03 AU\)](#) [1057377-1](#)