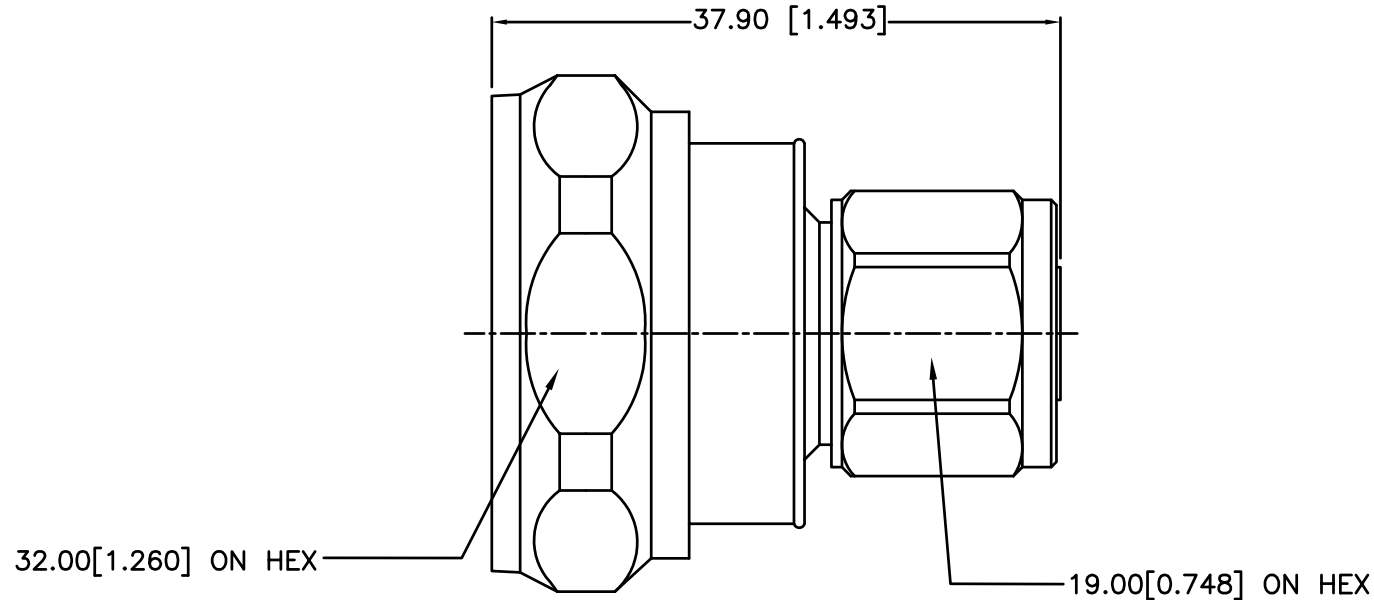


REV.	DATE	ECR NO.	DESCRIPTION
NC	06/13/99	----	INITIAL RELEASE
A	03/27/08	----	UPDATED DRAWING FORMAT
B	26/10/10	2116	UPDATED DRAWING AS PER FUYANG PRINT



1. ELECTRIC PERFORMANCE

NOMINAL IMPEDANCE(Ω)	:	50
FREQUENCY RANGE	:	DC-3GHz
VSWR	:	≤1.10
INSERT LOSS(dB)	:	≤0.10
PIM (dBc)	:	≤-160
INSULATION RESISTANCE(MΩ)	:	>5000
PROOF VOLTAGE (V)	:	2500
CONDUCTOR RESISTANCE(MΩ)	:	OUTER CONDUCTOR<0.2 INNER CONDUCTOR<0.8

3. ENVIRONMENT

TEMP.RANGE	:	-55°C TO +155°C
WEATHER STANDARD	:	IEC 60068 55 / 155/ 56
THERMAL SHOCK	:	US MIL-STD 202.METH.107,COND.B
VIBRATION	:	US MIL-STD 202.METH.204,COND.B
SHOCK	:	US MIL-STD 202.METH.213,COND.I
ROHS COMPLIANT.	:	

2. MECHANICAL PERFORMANCE

NUT TORQUE	:	7
MECHANICAL WEAR(HYPO-)	:	18:25N.m N:5N.m 500

				UNLESS OTHERWISE SPECIFIED DIMENSIONS ARE IN MILLIMETERS. DIMENSIONS IN [] ARE IN INCHES AND FOR CUSTOMER REFERENCE ONLY.	APPROVALS	DATE	AMPHENOL CONNEX				
6				UNLESS OTHERWISE SPECIFIED TOLERANCES FOR MILLIMETERS ARE: 0.5 - 8mm ± 0.20mm 8 - 30mm ± 0.40mm 30 - 120mm ± 0.50mm UNLESS OTHERWISE SPECIFIED TOLERANCES FOR INCHES ARE: .020 - .315 = ± 0.007" .315 - 1.180 = ± 0.015" 1.180 - 4.724 = ± 0.020"	DRAWN CLEMENT	26/10/10	PART DESCRIPTION N PLUG TO 7/16 PLUG ADAPTOR				
5					CHECKED						
4	INSULATOR	PTFE	NATURAL		1	ISSUED		PART NO. 242138			
3	NUT	BRASS	NICKEL		1	SHEET 1 OF 1					
2	OUTER CONDUCTOR	BRASS	NEXCOTE		1	CAD FILE C:/242/242138.DWG		DWG. NO.	242138.DWG	REV. B	SIZE A
1	INNER CONDUCTOR	SPRING COPPER	SILVER	1	DO NOT SCALE DRAWING						

X-ON Electronics

Largest Supplier of Electrical and Electronic Components

Click to view similar products for [RF Adapters - Between Series](#) category:

Click to view products by [Amphenol](#) manufacturer:

Other Similar products are found below :

[5945-9503-000](#) [MCX/F-SMA/M](#) [R192417010](#) [ADBJ20-E1-BJ379](#) [ADM2](#) [ADPL75-A1-PL75](#) [242191](#) [9317505](#) [AD130](#) [ADBJ20-E1-PL74](#)
[ADBJ77-E1-UPL20](#) [ADRMF370](#) [242190](#) [242215](#) [242228](#) [R125680000W](#) [R192430000](#) [UAD95](#) [1057367-1](#) [8311505](#) [R114704000](#)
[R451034500](#) [R451030500](#) [R451543000](#) [HDVDPN](#) [ADBJ20-K1-PL20](#) [R451570000](#) [R192419000](#) [R451034000](#) [J9](#) [J3WE-5](#) [R451032500](#)
[242201RP](#) [17K132-K00S5](#) [03K719-S22S3](#) [AD-RSMAF-RTNC](#) [53K156-K00N5](#) [53K160-KIMN1](#) [02K119-K00E3](#) [29S132-K01N5](#) [53S156-](#)
[K00N5](#) [02S119-S00E3](#) [28K132-K00N5](#) [02S109-K00S3](#) [27-8200TP](#) [242235](#) [ADBJ20-E1-BJ89](#) [ADP-SMAF-MMCXM](#) [000-2900](#) [321-102-](#)
[003 \(SMA-50/2-H155/W1.03 AU\)](#)