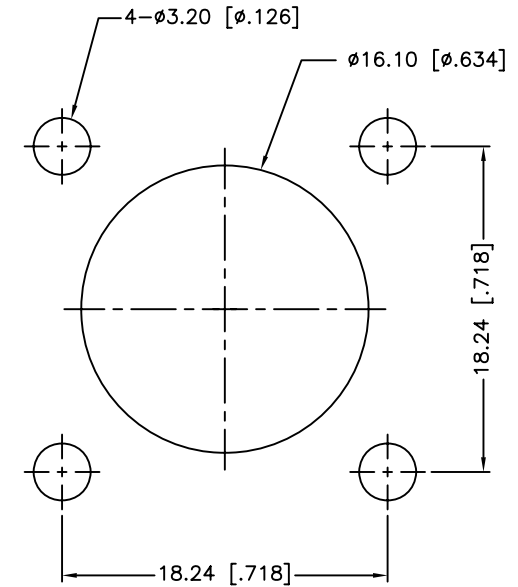
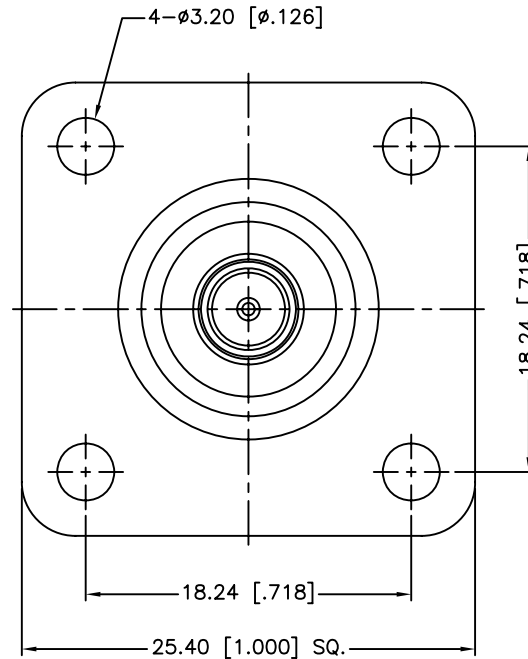
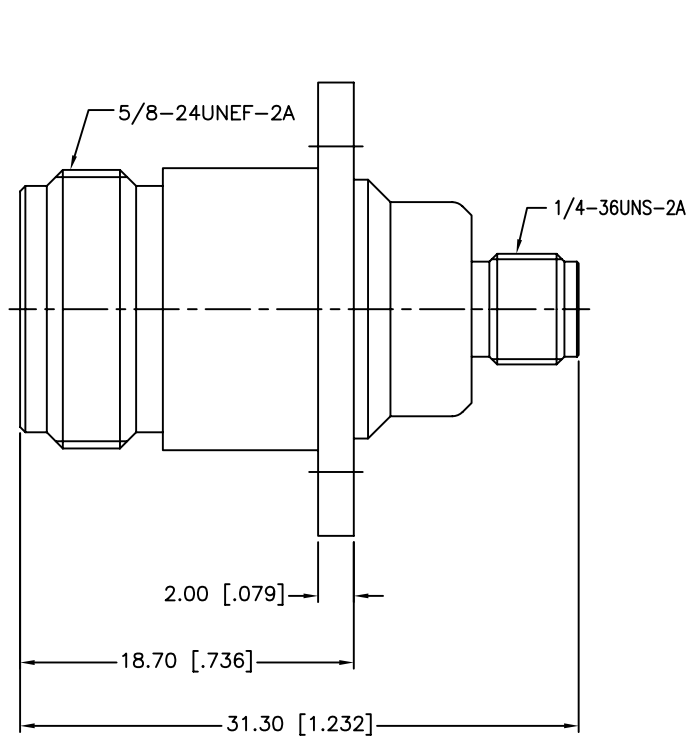


| REV. | DATE     | ECR NO. | DESCRIPTION                  |
|------|----------|---------|------------------------------|
| NC   | 09/22/02 | XXXXXX  | INITIAL RELEASE              |
| A    | 11/29/11 | 2260    | ADD NOTES                    |
| B    | 12/21/11 | 2268    | ADD RECOMMENDED PANEL CUTOUT |



RECOMMENDED  
PANEL CUTOUT

1. IMPEDANCE:50 OHM
2. FREQUENCY RANGE: 0-11 GHz
3. DIELECTRIC WITHSTANDING VOLTAGE:1000 VRMS. MIN.
4. DURABILITY:500 CYCLES MIN.
5. TEMPERATURE RANGE:-65°C TO +165°C
6. CONTACT PIN MUST WITHSTAND 6 LBS. MIN. PULL FORCES.

| QTY | DESCRIPTION     | MATERIAL        | FINISH  |
|-----|-----------------|-----------------|---------|
| 4   | BODY            | BRASS           | NICKEL  |
| 3   | CONTACT PIN     | PHOSPHOR BRONZE | GOLD    |
| 2   | INSULATOR       | PTFE            | NATURAL |
| 1   | BODY WITH PANEL | BRASS           | NICKEL  |

UNLESS OTHERWISE SPECIFIED DIMENSIONS ARE IN MILLIMETERS. DIMENSIONS IN [ ] ARE IN INCHES AND FOR CUSTOMER REFERENCE ONLY.

UNLESS OTHERWISE SPECIFIED TOLERANCES FOR MILLIMETERS ARE:  
0.5 - 8mm ± 0.20mm  
8 - 30mm ± 0.40mm  
30 - 120mm ± 0.50mm

UNLESS OTHERWISE SPECIFIED TOLERANCES FOR INCHES ARE:  
.020 - .315 = ± 0.007"  
.315 - 1.180 = ± 0.015"  
1.180 - 4.724 = ± 0.020"

DO NOT SCALE DRAWING

| APPROVALS                     | DATE     |
|-------------------------------|----------|
| DRAWN M.ZHANG                 | 12/21/11 |
| CHECKED                       |          |
| ISSUED                        |          |
| SHEET 1 OF 1                  |          |
| CAD FILE C:/CONNEX/242163.DWG |          |

**Amphenol Connex**

PART DESCRIPTION  
**N JACK TO SMA JACK PANEL ADAPTER**

PART NO.  
**242163**

DWG. NO. 242163.DWG    REV. B    SIZE A    SCALE NA

## X-ON Electronics

Largest Supplier of Electrical and Electronic Components

*Click to view similar products for [RF Adapters - Between Series category:](#)*

*Click to view products by [Amphenol manufacturer:](#)*

Other Similar products are found below :

[5945-9503-000](#) [MCX/F-SMA/M](#) [R192417010](#) [ADBJ20-E1-BJ379](#) [ADM2](#) [ADPL75-A1-PL75](#) [242191](#) [9317505](#) [AD130](#) [ADBJ20-E1-PL74](#)  
[ADBJ77-E1-UPL20](#) [ADRMF370](#) [242190](#) [242215](#) [242228](#) [R125680000W](#) [R192430000](#) [UAD95](#) [1057367-1](#) [8311505](#) [R114704000](#)  
[R451034500](#) [R451030500](#) [R451543000](#) [HDVDPN](#) [ADBJ20-K1-PL20](#) [R451570000](#) [R192419000](#) [R451034000](#) [J9](#) [J3WE-5](#) [R451032500](#)  
[242201RP](#) [17K132-K00S5](#) [03K719-S22S3](#) [AD-RSMAF-RTNC](#) [53K156-K00N5](#) [53K160-KIMN1](#) [29S132-K01N5](#) [53S156-K00N5](#) [02S119-](#)  
[S00E3](#) [28K132-K00N5](#) [02S109-K00S3](#) [27-8200TP](#) [242235](#) [ADBJ20-E1-BJ89](#) [ADP-SMAF-MMCXM](#) [000-2900](#) [321-102-003 \(SMA-50/2-](#)  
[H155/W1.03 AU\)](#) [1057377-1](#)