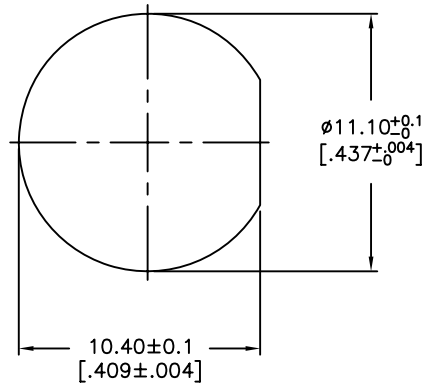
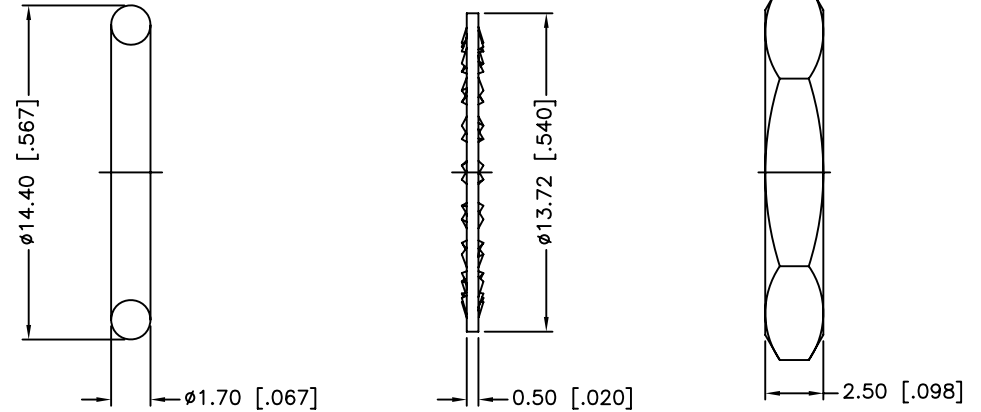
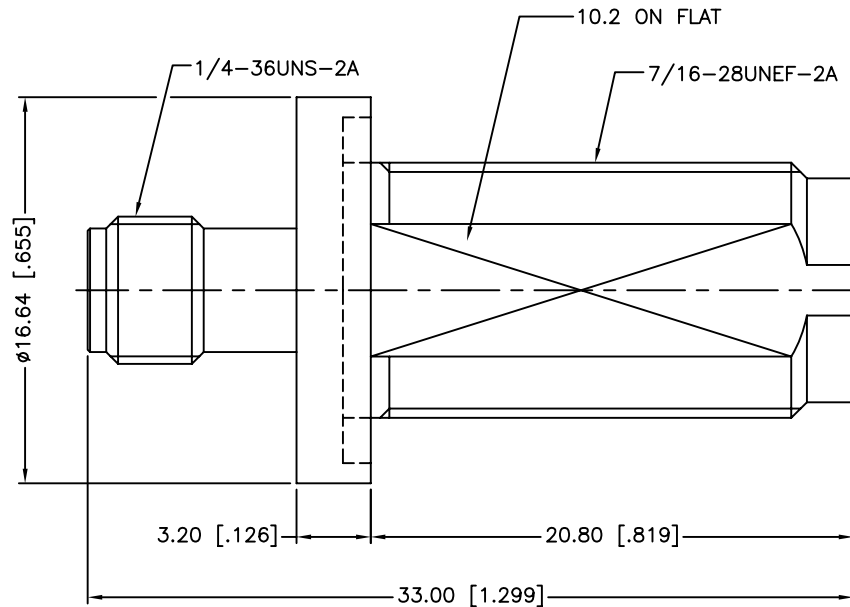
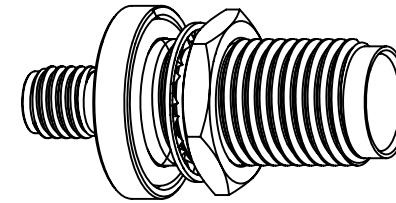


REV.	DATE	ECR NO.	DESCRIPTION
NC	07/21/11	XXXXXX	INITIAL RELEASE
A	02/24/14	2701	ADD IP-67/68 TESTING DETAILS, UPDATED DRAWING FORMAT



RECOMMENDED MOUNTING HOLE



1. IMPEDANCE: 50 OHM
2. FREQUENCY RANGE: 0-11 GHZ
3. DIELECTRIC WITHSTANDING VOLTAGE: 1000 VRMS, MIN.
4. DURABILITY: 500 CYCLES MIN.
5. TEMPERATURE RANGE: -65°C TO +165°C
6. SEALING REQUIREMENT: IP-68 MUST WITHSTAND 3M SUBMERSION TEST FOR 24 HOURS WITHOUT ANY SIGNS OF LEAKAGE
7. MAX. PANEL THICKNESS=7.6 MM

QTY	DESCRIPTION	MATERIAL	FINISH	QTY
1	HEX NUT	BRASS	NICKEL	1
1	LOCK WASHER	PHOSPHOR BRONZE	NICKEL	1
1	GASKET	SILICONE RUBBER	RED	1
1	RETAINING RING	BRASS	NICKEL	1
1	CONTACT PIN	BER. COPPER	GOLD	1
1	O-RING	SILICONE RUBBER	RED	1
1	INSULATOR	PTFE	NATURAL	1
1	BODY	BRASS	NICKEL	1

UNLESS OTHERWISE SPECIFIED DIMENSIONS ARE IN MILLIMETERS. DIMENSIONS IN [] ARE IN INCHES AND FOR CUSTOMER REFERENCE ONLY.
 UNLESS OTHERWISE SPECIFIED
 TOLERANCES FOR MILLIMETERS ARE:
 <math>< 0.5 \pm 0.05\text{mm}</math>
 $0.5 - 6\text{mm} \pm 0.10\text{mm}$
 $6 - 30\text{mm} \pm 0.20\text{mm}$
 $30 - 120\text{mm} \pm 0.30\text{mm}$
 ANGLES $\pm 1^\circ$
 UNLESS OTHERWISE SPECIFIED
 TOLERANCES FOR INCHES ARE:
 <math>< .020 \pm 0.002''</math>
 $.020 - .236 \pm 0.004''$
 $.236 - 1.180 \pm 0.007''$
 $1.180 - 4.724 \pm 0.012''$
 ANGLES $\pm 1^\circ$
 DO NOT SCALE DRAWING

APPROVALS	DATE
DRAWN M.ZHANG	02/24/14
CHECKED	
ISSUED	
SHEET 1 OF 1	
CAD FILE	
C:/CONNEX/242178-10.DWG	

Amphenol Connex			
PART DESCRIPTION			
SMA FEMALE TO TNC BULKHEAD FEMALE ADAPTOR, IP-68 COMPLIANT			
PART NO.			
242178-10			
DWG. NO.	242178-10.DWG	REV.	A
SIZE	A	SCALE	NA

X-ON Electronics

Largest Supplier of Electrical and Electronic Components

Click to view similar products for [RF Adapters - Between Series category:](#)

Click to view products by [Amphenol manufacturer:](#)

Other Similar products are found below :

[5945-9503-000](#) [MCX/F-SMA/M](#) [R192417010](#) [ADBJ20-E1-BJ379](#) [ADM2](#) [ADPL75-A1-PL75](#) [242191](#) [9317505](#) [AD130](#) [ADBJ20-E1-PL74](#)
[ADBJ20-E2-BJ79](#) [ADBJ77-E1-UPL20](#) [ADRMF370](#) [242190](#) [242215](#) [242228](#) [R125680000W](#) [R192430000](#) [UAD95](#) [1057367-1](#) [8311505](#)
[R114704000](#) [R451034500](#) [R451030500](#) [R451543000](#) [HDVDPN](#) [ADBJ20-K1-PL20](#) [R451570000](#) [R192419000](#) [R451034000](#) [J9](#) [J3WE-5](#)
[R451032500](#) [242201RP](#) [17K132-K00S5](#) [03K719-S22S3](#) [AD-RSMAF-RTNC](#) [53K156-K00N5](#) [53K160-KIMN1](#) [29S132-K01N5](#) [53S156-](#)
[K00N5](#) [02S119-S00E3](#) [28K132-K00N5](#) [02S109-K00S3](#) [27-8200TP](#) [242235](#) [ADBJ20-E1-BJ89](#) [ADP-SMAF-MMCXM](#) [000-2900](#) [321-102-](#)
[003 \(SMA-50/2-H155/W1.03 AU\)](#)