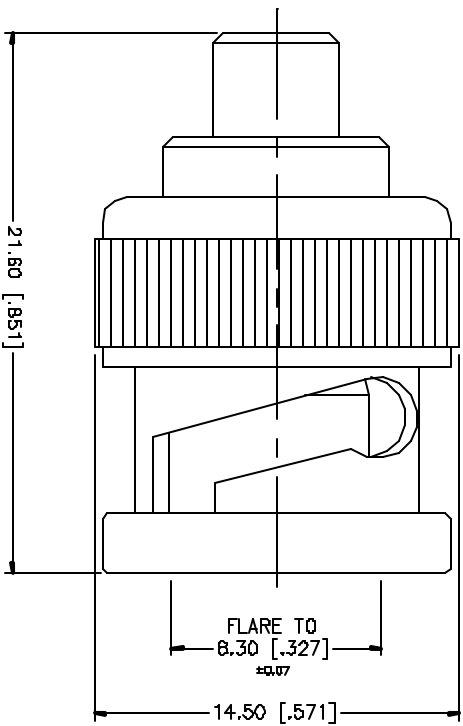


REV.	DATE	DESCRIPTION
NC	06/16/04	UPDATE DRAWING FORMAT



REV.	DATE	DESCRIPTION	MATERIAL	FINISH	QTY
8					
7					
6					
5					
4					
3		CONTACT PIN	BERL COPPER	GOLD	1
2		INSULATOR	TEFLON	NATURAL	1
1		BODY	BRASS	NICKEL	1
		DESCRIPTION	MATERIAL	FINISH	QTY

UNLESS OTHERWISE SPECIFIED DIMENSIONS ARE IN INCHES AND FOR DECIMALS FRACTIONS ONLY. UNLESS OTHERWISE SPECIFIED TOLERANCES FOR UNFINISHED PARS: F3 - 0.010 ± 0.001mm F6 - 0.015 ± 0.001mm F9 - 0.020 ± 0.001mm F12 - 0.030 ± 0.001mm F15 - 0.040 ± 0.001mm F18 - 0.050 ± 0.001mm F21 - 0.060 ± 0.001mm F24 - 0.075 ± 0.001mm UNLESS OTHERWISE SPECIFIED DIMENSIONS FOR FINISHED PARS: F30 - 0.010 ± 0.001mm F36 - 0.015 ± 0.001mm F42 - 0.020 ± 0.001mm F48 - 0.030 ± 0.001mm F54 - 0.040 ± 0.001mm F60 - 0.050 ± 0.001mm F66 - 0.060 ± 0.001mm F72 - 0.075 ± 0.001mm F78 - 0.090 ± 0.001mm F84 - 0.110 ± 0.001mm F90 - 0.130 ± 0.001mm F96 - 0.150 ± 0.001mm F102 - 0.175 ± 0.001mm F108 - 0.200 ± 0.001mm F114 - 0.225 ± 0.001mm F120 - 0.250 ± 0.001mm F126 - 0.275 ± 0.001mm F132 - 0.300 ± 0.001mm F138 - 0.325 ± 0.001mm F144 - 0.350 ± 0.001mm F150 - 0.375 ± 0.001mm F156 - 0.400 ± 0.001mm F162 - 0.425 ± 0.001mm F168 - 0.450 ± 0.001mm F174 - 0.475 ± 0.001mm F180 - 0.500 ± 0.001mm F186 - 0.525 ± 0.001mm F192 - 0.550 ± 0.001mm F198 - 0.575 ± 0.001mm F204 - 0.600 ± 0.001mm F210 - 0.625 ± 0.001mm F216 - 0.650 ± 0.001mm F222 - 0.675 ± 0.001mm F228 - 0.700 ± 0.001mm F234 - 0.725 ± 0.001mm F240 - 0.750 ± 0.001mm F246 - 0.775 ± 0.001mm F252 - 0.800 ± 0.001mm F258 - 0.825 ± 0.001mm F264 - 0.850 ± 0.001mm F270 - 0.875 ± 0.001mm F276 - 0.900 ± 0.001mm F282 - 0.925 ± 0.001mm F288 - 0.950 ± 0.001mm F294 - 0.975 ± 0.001mm F300 - 1.000 ± 0.001mm F306 - 1.025 ± 0.001mm F312 - 1.050 ± 0.001mm F318 - 1.075 ± 0.001mm F324 - 1.100 ± 0.001mm F330 - 1.125 ± 0.001mm F336 - 1.150 ± 0.001mm F342 - 1.175 ± 0.001mm F348 - 1.200 ± 0.001mm F354 - 1.225 ± 0.001mm F360 - 1.250 ± 0.001mm F366 - 1.275 ± 0.001mm F372 - 1.300 ± 0.001mm F378 - 1.325 ± 0.001mm F384 - 1.350 ± 0.001mm F390 - 1.375 ± 0.001mm F396 - 1.400 ± 0.001mm F402 - 1.425 ± 0.001mm F408 - 1.450 ± 0.001mm F414 - 1.475 ± 0.001mm F420 - 1.500 ± 0.001mm F426 - 1.525 ± 0.001mm F432 - 1.550 ± 0.001mm F438 - 1.575 ± 0.001mm F444 - 1.600 ± 0.001mm F450 - 1.625 ± 0.001mm F456 - 1.650 ± 0.001mm F462 - 1.675 ± 0.001mm F468 - 1.700 ± 0.001mm F474 - 1.725 ± 0.001mm F480 - 1.750 ± 0.001mm F486 - 1.775 ± 0.001mm F492 - 1.800 ± 0.001mm F498 - 1.825 ± 0.001mm F504 - 1.850 ± 0.001mm F510 - 1.875 ± 0.001mm F516 - 1.900 ± 0.001mm F522 - 1.925 ± 0.001mm F528 - 1.950 ± 0.001mm F534 - 1.975 ± 0.001mm F540 - 2.000 ± 0.001mm F546 - 2.025 ± 0.001mm F552 - 2.050 ± 0.001mm F558 - 2.075 ± 0.001mm F564 - 2.100 ± 0.001mm F570 - 2.125 ± 0.001mm F576 - 2.150 ± 0.001mm F582 - 2.175 ± 0.001mm F588 - 2.200 ± 0.001mm F594 - 2.225 ± 0.001mm F600 - 2.250 ± 0.001mm F606 - 2.275 ± 0.001mm F612 - 2.300 ± 0.001mm F618 - 2.325 ± 0.001mm F624 - 2.350 ± 0.001mm F630 - 2.375 ± 0.001mm F636 - 2.400 ± 0.001mm F642 - 2.425 ± 0.001mm F648 - 2.450 ± 0.001mm F654 - 2.475 ± 0.001mm F660 - 2.500 ± 0.001mm F666 - 2.525 ± 0.001mm F672 - 2.550 ± 0.001mm F678 - 2.575 ± 0.001mm F684 - 2.600 ± 0.001mm F690 - 2.625 ± 0.001mm F696 - 2.650 ± 0.001mm F702 - 2.675 ± 0.001mm F708 - 2.700 ± 0.001mm F714 - 2.725 ± 0.001mm F720 - 2.750 ± 0.001mm F726 - 2.775 ± 0.001mm F732 - 2.800 ± 0.001mm F738 - 2.825 ± 0.001mm F744 - 2.850 ± 0.001mm F750 - 2.875 ± 0.001mm F756 - 2.900 ± 0.001mm F762 - 2.925 ± 0.001mm F768 - 2.950 ± 0.001mm F774 - 2.975 ± 0.001mm F780 - 3.000 ± 0.001mm F786 - 3.025 ± 0.001mm F792 - 3.050 ± 0.001mm F798 - 3.075 ± 0.001mm F804 - 3.100 ± 0.001mm F810 - 3.125 ± 0.001mm F816 - 3.150 ± 0.001mm F822 - 3.175 ± 0.001mm F828 - 3.200 ± 0.001mm F834 - 3.225 ± 0.001mm F840 - 3.250 ± 0.001mm F846 - 3.275 ± 0.001mm F852 - 3.300 ± 0.001mm F858 - 3.325 ± 0.001mm F864 - 3.350 ± 0.001mm F870 - 3.375 ± 0.001mm F876 - 3.400 ± 0.001mm F882 - 3.425 ± 0.001mm F888 - 3.450 ± 0.001mm F894 - 3.475 ± 0.001mm F900 - 3.500 ± 0.001mm F906 - 3.525 ± 0.001mm F912 - 3.550 ± 0.001mm F918 - 3.575 ± 0.001mm F924 - 3.600 ± 0.001mm F930 - 3.625 ± 0.001mm F936 - 3.650 ± 0.001mm F942 - 3.675 ± 0.001mm F948 - 3.700 ± 0.001mm F954 - 3.725 ± 0.001mm F960 - 3.750 ± 0.001mm F966 - 3.775 ± 0.001mm F972 - 3.800 ± 0.001mm F978 - 3.825 ± 0.001mm F984 - 3.850 ± 0.001mm F990 - 3.875 ± 0.001mm F996 - 3.900 ± 0.001mm F1002 - 3.925 ± 0.001mm F1008 - 3.950 ± 0.001mm F1014 - 3.975 ± 0.001mm F1020 - 4.000 ± 0.001mm F1026 - 4.025 ± 0.001mm F1032 - 4.050 ± 0.001mm F1038 - 4.075 ± 0.001mm F1044 - 4.100 ± 0.001mm F1050 - 4.125 ± 0.001mm F1056 - 4.150 ± 0.001mm F1062 - 4.175 ± 0.001mm F1068 - 4.200 ± 0.001mm F1074 - 4.225 ± 0.001mm F1080 - 4.250 ± 0.001mm F1086 - 4.275 ± 0.001mm F1092 - 4.300 ± 0.001mm F1098 - 4.325 ± 0.001mm F1104 - 4.350 ± 0.001mm F1110 - 4.375 ± 0.001mm F1116 - 4.400 ± 0.001mm F1122 - 4.425 ± 0.001mm F1128 - 4.450 ± 0.001mm F1134 - 4.475 ± 0.001mm F1140 - 4.500 ± 0.001mm F1146 - 4.525 ± 0.001mm F1152 - 4.550 ± 0.001mm F1158 - 4.575 ± 0.001mm F1164 - 4.600 ± 0.001mm F1170 - 4.625 ± 0.001mm F1176 - 4.650 ± 0.001mm F1182 - 4.675 ± 0.001mm F1188 - 4.700 ± 0.001mm F1194 - 4.725 ± 0.001mm F1200 - 4.750 ± 0.001mm F1206 - 4.775 ± 0.001mm F1212 - 4.800 ± 0.001mm F1218 - 4.825 ± 0.001mm F1224 - 4.850 ± 0.001mm F1230 - 4.875 ± 0.001mm F1236 - 4.900 ± 0.001mm F1242 - 4.925 ± 0.001mm F1248 - 4.950 ± 0.001mm F1254 - 4.975 ± 0.001mm F1260 - 5.000 ± 0.001mm F1266 - 5.025 ± 0.001mm F1272 - 5.050 ± 0.001mm F1278 - 5.075 ± 0.001mm F1284 - 5.100 ± 0.001mm F1290 - 5.125 ± 0.001mm F1296 - 5.150 ± 0.001mm F1302 - 5.175 ± 0.001mm F1308 - 5.200 ± 0.001mm F1314 - 5.225 ± 0.001mm F1320 - 5.250 ± 0.001mm F1326 - 5.275 ± 0.001mm F1332 - 5.300 ± 0.001mm F1338 - 5.325 ± 0.001mm F1344 - 5.350 ± 0.001mm F1350 - 5.375 ± 0.001mm F1356 - 5.400 ± 0.001mm F1362 - 5.425 ± 0.001mm F1368 - 5.450 ± 0.001mm F1374 - 5.475 ± 0.001mm F1380 - 5.500 ± 0.001mm F1386 - 5.525 ± 0.001mm F1392 - 5.550 ± 0.001mm F1398 - 5.575 ± 0.001mm F1404 - 5.600 ± 0.001mm F1410 - 5.625 ± 0.001mm F1416 - 5.650 ± 0.001mm F1422 - 5.675 ± 0.001mm F1428 - 5.700 ± 0.001mm F1434 - 5.725 ± 0.001mm F1440 - 5.750 ± 0.001mm F1446 - 5.775 ± 0.001mm F1452 - 5.800 ± 0.001mm F1458 - 5.825 ± 0.001mm F1464 - 5.850 ± 0.001mm F1470 - 5.875 ± 0.001mm F1476 - 5.900 ± 0.001mm F1482 - 5.925 ± 0.001mm F1488 - 5.950 ± 0.001mm F1494 - 5.975 ± 0.001mm F1500 - 6.000 ± 0.001mm F1506 - 6.025 ± 0.001mm F1512 - 6.050 ± 0.001mm F1518 - 6.075 ± 0.001mm F1524 - 6.100 ± 0.001mm F1530 - 6.125 ± 0.001mm F1536 - 6.150 ± 0.001mm F1542 - 6.175 ± 0.001mm F1548 - 6.200 ± 0.001mm F1554 - 6.225 ± 0.001mm F1560 - 6.250 ± 0.001mm F1566 - 6.275 ± 0.001mm F1572 - 6.300 ± 0.001mm F1578 - 6.325 ± 0.001mm F1584 - 6.350 ± 0.001mm F1590 - 6.375 ± 0.001mm F1596 - 6.400 ± 0.001mm F1602 - 6.425 ± 0.001mm F1608 - 6.450 ± 0.001mm F1614 - 6.475 ± 0.001mm F1620 - 6.500 ± 0.001mm F1626 - 6.525 ± 0.001mm F1632 - 6.550 ± 0.001mm F1638 - 6.575 ± 0.001mm F1644 - 6.600 ± 0.001mm F1650 - 6.625 ± 0.001mm F1656 - 6.650 ± 0.001mm F1662 - 6.675 ± 0.001mm F1668 - 6.700 ± 0.001mm F1674 - 6.725 ± 0.001mm F1680 - 6.750 ± 0.001mm F1686 - 6.775 ± 0.001mm F1692 - 6.800 ± 0.001mm F1698 - 6.825 ± 0.001mm F1704 - 6.850 ± 0.001mm F1710 - 6.875 ± 0.001mm F1716 - 6.900 ± 0.001mm F1722 - 6.925 ± 0.001mm F1728 - 6.950 ± 0.001mm F1734 - 6.975 ± 0.001mm F1740 - 7.000 ± 0.001mm F1746 - 7.025 ± 0.001mm F1752 - 7.050 ± 0.001mm F1758 - 7.075 ± 0.001mm F1764 - 7.100 ± 0.001mm F1770 - 7.125 ± 0.001mm F1776 - 7.150 ± 0.001mm F1782 - 7.175 ± 0.001mm F1788 - 7.200 ± 0.001mm F1794 - 7.225 ± 0.001mm F1800 - 7.250 ± 0.001mm F1806 - 7.275 ± 0.001mm F1812 - 7.300 ± 0.001mm F1818 - 7.325 ± 0.001mm F1824 - 7.350 ± 0.001mm F1830 - 7.375 ± 0.001mm F1836 - 7.400 ± 0.001mm F1842 - 7.425 ± 0.001mm F1848 - 7.450 ± 0.001mm F1854 - 7.475 ± 0.001mm F1860 - 7.500 ± 0.001mm F1866 - 7.525 ± 0.001mm F1872 - 7.550 ± 0.001mm F1878 - 7.575 ± 0.001mm F1884 - 7.600 ± 0.001mm F1890 - 7.625 ± 0.001mm F1896 - 7.650 ± 0.001mm F1902 - 7.675 ± 0.001mm F1908 - 7.700 ± 0.001mm F1914 - 7.725 ± 0.001mm F1920 - 7.750 ± 0.001mm F1926 - 7.775 ± 0.001mm F1932 - 7.800 ± 0.001mm F1938 - 7.825 ± 0.001mm F1944 - 7.850 ± 0.001mm F1950 - 7.875 ± 0.001mm F1956 - 7.900 ± 0.001mm F1962 - 7.925 ± 0.001mm F1968 - 7.950 ± 0.001mm F1974 - 7.975 ± 0.001mm F1980 - 8.000 ± 0.001mm F1986 - 8.025 ± 0.001mm F1992 - 8.050 ± 0.001mm F1998 - 8.075 ± 0.001mm F2004 - 8.100 ± 0.001mm F2010 - 8.125 ± 0.001mm F2016 - 8.150 ± 0.001mm F2022 - 8.175 ± 0.001mm F2028 - 8.200 ± 0.001mm F2034 - 8.225 ± 0.001mm F2040 - 8.250 ± 0.001mm F2046 - 8.275 ± 0.001mm F2052 - 8.300 ± 0.001mm F2058 - 8.325 ± 0.001mm F2064 - 8.350 ± 0.001mm F2070 - 8.375 ± 0.001mm F2076 - 8.400 ± 0.001mm F2082 - 8.425 ± 0.001mm F2088 - 8.450 ± 0.001mm F2094 - 8.475 ± 0.001mm F2100 - 8.500 ± 0.001mm F2106 - 8.525 ± 0.001mm F2112 - 8.550 ± 0.001mm F2118 - 8.575 ± 0.001mm F2124 - 8.600 ± 0.001mm F2130 - 8.625 ± 0.001mm F2136 - 8.650 ± 0.001mm F2142 - 8.675 ± 0.001mm F2148 - 8.700 ± 0.001mm F2154 - 8.725 ± 0.001mm F2160 - 8.750 ± 0.001mm F2166 - 8.775 ± 0.001mm F2172 - 8.800 ± 0.001mm F2178 - 8.825 ± 0.001mm F2184 - 8.850 ± 0.001mm F2190 - 8.875 ± 0.001mm F2196 - 8.900 ± 0.001mm F2202 - 8.925 ± 0.001mm F2208 - 8.950 ± 0.001mm F2214 - 8.975 ± 0.001mm F2220 - 9.000 ± 0.001mm F2226 - 9.025 ± 0.001mm F2232 - 9.050 ± 0.001mm F2238 - 9.075 ± 0.001mm F2244 - 9.100 ± 0.001mm F2250 - 9.125 ± 0.001mm F2256 - 9.150 ± 0.001mm F2262 - 9.175 ± 0.001mm F2268 - 9.200 ± 0.001mm F2274 - 9.225 ± 0.001mm F2280 - 9.250 ± 0.001mm F2286 - 9.275 ± 0.001mm F2292 - 9.300 ± 0.001mm F2298 - 9.325 ± 0.001mm F2304 - 9.350 ± 0.001mm F2310 - 9.375 ± 0.001mm F2316 - 9.400 ± 0.001mm F2322 - 9.425 ± 0.001mm F2328 - 9.450 ± 0.001mm F2334 - 9.475 ± 0.001mm F2340 - 9.500 ± 0.001mm F2346 - 9.525 ± 0.001mm F2352 - 9.550 ± 0.001mm F2358 - 9.575 ± 0.001mm F2364 - 9.600 ± 0.001mm F2370 - 9.625 ± 0.001mm F2376 - 9.650 ± 0.001mm F2382 - 9.675 ± 0.001mm F2388 - 9.700 ± 0.001mm F2394 - 9.725 ± 0.001mm F2400 - 9.750 ± 0.001mm F2406 - 9.775 ± 0.001mm F2412 - 9.800 ± 0.001mm F2418 - 9.825 ± 0.001mm F2424 - 9.850 ± 0.001mm F2430 - 9.875 ± 0.001mm F2436 - 9.900 ± 0.001mm F2442 - 9.925 ± 0.001mm F2448 - 9.950 ± 0.001mm F2454 - 9.975 ± 0.001mm F2460 - 10.000 ± 0.001mm F2466 - 10.025 ± 0.001mm F2472 - 10.050 ± 0.001mm F2478 - 10.075 ± 0.001mm F2484 - 10.100 ± 0.001mm F2490 - 10.125 ± 0.001mm F2496 - 10.150 ± 0.001mm F2502 - 10.175 ± 0.001mm F2508 - 10.200 ± 0.001mm F2514 - 10.225 ± 0.001mm F2520 - 10.250 ± 0.001mm F2526 - 10.275 ± 0.001mm F2532 - 10.300 ± 0.001mm F2538 - 10.325 ± 0.001mm F2544 - 10.350 ± 0.001mm F2550 - 10.375 ± 0.001mm F2556 - 10.400 ± 0.001mm F2562 - 10.425 ± 0.001mm F2568 - 10.450 ± 0.001mm F2574 - 10.475 ± 0.001mm F2580 - 10.500 ± 0.001mm F2586 - 10.525 ± 0.001mm F2592 - 10.550 ± 0.001mm F2598 - 10.575 ± 0.001mm F2604 - 10.600 ± 0.001mm F2610 - 10.625 ± 0.001mm F2616 - 10.650 ± 0.001mm F2622 - 10.675 ± 0.001mm F2628 - 10.700 ± 0.001mm F2634 - 10.725 ± 0.001mm F2640 - 10.750 ± 0.001mm F2646 - 10.775 ± 0.001mm F2652 - 10.800 ± 0.001mm F2658 - 10.825 ± 0.001mm F2664 - 10.850 ± 0.001mm F2670 - 10.875 ± 0.001mm F2676 - 10.900 ± 0.001mm F2682 - 10.925 ± 0.001mm F2688 - 10.950 ± 0.001mm F2694 - 10.975 ± 0.001mm F2700 - 11.000 ± 0.001mm F2706 - 11.025 ± 0.001mm F2712 - 11.050 ± 0.001mm F2718 - 11.075 ± 0.001mm F2724 - 11.100 ± 0.001mm F2730 - 11.125 ± 0.001mm F2736 - 11.150 ± 0.001mm F2742 - 11.175 ± 0.001mm F2748 - 11.200 ± 0.001mm F2754 - 11.225 ± 0.001mm F2760 - 11.250 ± 0.001mm F2766 - 11.275 ± 0.001mm F2772 - 11.300 ± 0.001mm F2778 - 11.325 ± 0.001mm F2784 - 11.350 ± 0.001mm F2790 - 11.375 ± 0.001mm F2796 - 11.400 ± 0.001mm F2802 - 11.425 ± 0.001mm F2808 - 11.450 ± 0.001mm F2814 - 11.475 ± 0.001mm F2820 - 11.500 ± 0.001mm F2826 - 11.525 ± 0.001mm F2832 - 11.550 ± 0.001mm F2838 - 11.575 ± 0.001mm F2844 - 11.600 ± 0.001mm F2850 - 11.625 ± 0.001mm F2856 - 11.650 ± 0.001mm F2862 - 11.675 ± 0.001mm F2868 - 11.700 ± 0.001mm F2874 - 11.725 ± 0.001mm F2880 - 11.750 ± 0.001mm F2886 - 11.775 ± 0.001mm F2892 - 11.800 ± 0.001mm	
--	--

X-ON Electronics

Largest Supplier of Electrical and Electronic Components

Click to view similar products for [RF Adapters - Between Series](#) category:

Click to view products by [Amphenol](#) manufacturer:

Other Similar products are found below :

[5945-9503-000](#) [MCX/F-SMA/M](#) [R192417010](#) [ADBJ20-E1-BJ379](#) [ADM2](#) [ADPL75-A1-PL75](#) [242191](#) [9317505](#) [AD130](#) [ADBJ20-E1-PL74](#)
[ADBJ20-E2-BJ79](#) [ADBJ77-E1-UPL20](#) [ADRMF370](#) [242190](#) [242215](#) [242228](#) [R125680000W](#) [R192430000](#) [UAD95](#) [1057367-1](#) [8311505](#)
[R114704000](#) [R451034500](#) [R451030500](#) [R451543000](#) [HDVDPN](#) [ADBJ20-K1-PL20](#) [R451570000](#) [R192419000](#) [R451034000](#) [J9](#) [J3WE-5](#)
[R451032500](#) [242201RP](#) [17K132-K00S5](#) [03K719-S22S3](#) [AD-RSMAF-RTNC](#) [53K156-K00N5](#) [53K160-KIMN1](#) [29S132-K01N5](#) [53S156-](#)
[K00N5](#) [02S119-S00E3](#) [28K132-K00N5](#) [02S109-K00S3](#) [27-8200TP](#) [242235](#) [ADBJ20-E1-BJ89](#) [ADP-SMAF-MMCXM](#) [000-2900](#) [321-102-](#)
[003 \(SMA-50/2-H155/W1.03 AU\)](#)