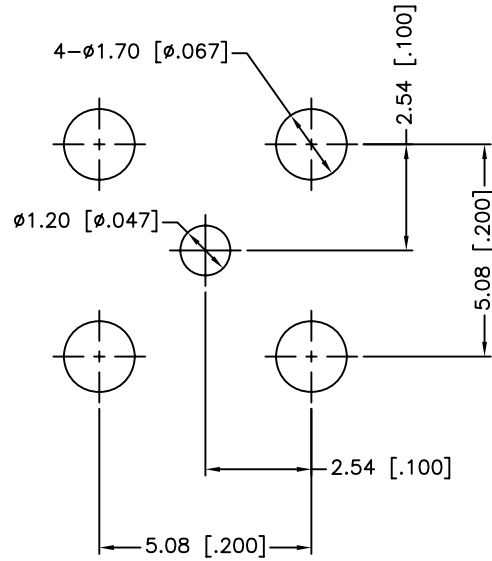
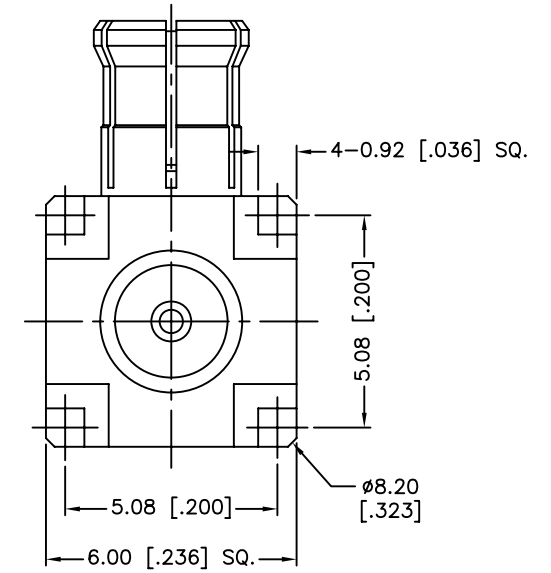
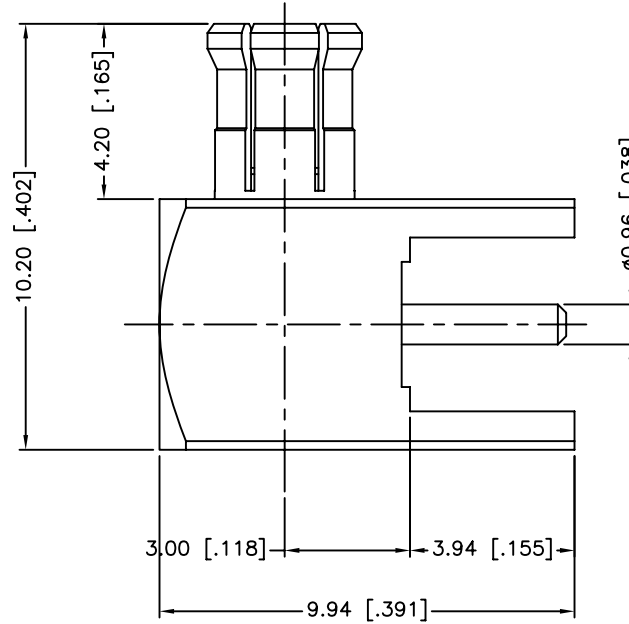


REV.	DATE	ECR NO.	DESCRIPTION
NC	12/16/98	XXXXXX	INITIAL RELEASE
A	12/31/05	XXXXXX	UPDATE DRAWING FORMAT
B	10/28/11	2248	ADD DIMENSIONS & ADD NOTES & UPDATE BOTTOM VIEW



PCB MOUNTING HOLE



1. IMPEDANCE:50 OHM
2. FREQUENCY RANGE: DC 0-2.5 GHz
3. DIELECTRIC WITHSTANDING VOLTAGE: 1000 VRMS, MIN.
4. DURABILITY:500 CYCLES MIN.
5. TEMPERATURE RANGE: -55°C TO +155°C

UNLESS OTHERWISE SPECIFIED DIMENSIONS ARE IN MILLIMETERS. DIMENSIONS IN [] ARE IN INCHES AND FOR CUSTOMER REFERENCE ONLY.				APPROVALS		DATE	<h1 style="color: blue; margin: 0;">Amphenol Connex</h1>	
5	BODY	BERYLLIUM COPPER	GOLD	1	DRAWN	M.ZHANG		10/28/11
4	INSULATOR	PTFE	NATURAL	1	CHECKED			
3	CONTACT PIN	BRASS	GOLD	1	ISSUED			
2	INSULATOR	PTFE	NATURAL	1	SHEET	1 OF 1		
1	HOUSING	BRASS	GOLD	1	CAD FILE		C:/CONNEX/252155.DWG	
UNLESS OTHERWISE SPECIFIED TOLERANCES FOR MILLIMETERS ARE: 0.5 - 8mm ± 0.20mm 8 - 30mm ± 0.40mm 30 - 120mm ± 0.50mm UNLESS OTHERWISE SPECIFIED TOLERANCES FOR INCHES ARE: .020 - .315 = ± 0.007" .315 - 1.180 = ± 0.015" 1.180 - 4.724 = ± 0.020"				DO NOT SCALE DRAWING			PART DESCRIPTION MXC R/A P.C. BOARD RECEPT. PLUG	
							PART NO. 252155	
							DWG. NO. 252155.DWG REV. B SIZE A SCALE NA	

X-ON Electronics

Largest Supplier of Electrical and Electronic Components

Click to view similar products for [RF Connectors / Coaxial Connectors](#) category:

Click to view products by [Amphenol](#) manufacturer:

Other Similar products are found below :

[8915-1511-000](#) [89674-0827](#) [6001-7071-019](#) [6002-7051-003](#) [6002-7551-202](#) [6059674-1](#) [619550-1](#) [630059-000](#) [M39030/3-01N](#) [M3933/25-36N](#) [6500-7071-046](#) [6769](#) [CX050L2AQ](#) [7002-1542-011](#) [7004-1512-000](#) [7009-1511-004](#) [7010-1511-000](#) [7029-1511-060](#) [7101-1541-010](#) [7101-1571-002](#) [7105-1521-002](#) [7145-1521-002](#) [7203-1571-003](#) [7209-1511-011](#) [7210-1511-015](#) [7210-1511-019](#) [73137-5015](#) [73216-2241](#) [7325-1512-000](#) [73404-2300](#) [7405-1521-005](#) [7405-1521-802](#) [7406-1521-005](#) [8527](#) [8547](#) [FS11V](#) [8808-1511-001](#) [9049-9513-000](#) [9074-9513-000](#) [9101-9573-002](#) [910A205F](#) [9130-9573-002](#) [PL11SC-026](#) [PL375-33](#) [PL40-5](#) [PL71-9](#) [PL74C-221](#) [PL75MC-217](#) [PL803-7](#) [980-8666-005](#)